

MTR, MTRE, SPK, MTH, MTA

Immersible pumps

50/60 Hz



be
think
innovate

GRUNDFOS 

1. Introduction	4
2. Applications	5
3. Performance range	7
MTR, 50 Hz	7
MTRE, 50 Hz	7
MTR, 60 Hz	8
MTRE, 60 Hz	8
MTRE high pressure, 50/60 Hz	9
SPK, 50 Hz	10
SPK, 60 Hz	10
MTH, 50 Hz	11
MTH, 60 Hz	11
MTA, 50 Hz	12
MTA, 60 Hz	12
MTA-H, 50 Hz	13
MTA-H, 60 Hz	13
EuP ready	14
Minimum efficiency index	14
4. Product range	15
MTR, MTRE	15
SPK	16
MTH	17
MTA	18
5. Motors	19
Motors for MTR and SPK pumps	19
Motors for MTH pumps	19
Motors for MTA pumps	19
Grundfos standard motors	19
Motors for MTRE pumps	21
MGE motors	21
6. Control of MTRE pumps	23
Control options	23
Control modes for E-pumps	24
7. Construction	28
MTR, MTRE 1s, 1, 3, 5 and 8	28
MTR, MTRE 1s, 1, 3, 5 and 8 with drainage back to tank	29
MTR, MTRE 10, 15 and 20	30
MTR, MTRE 10, 15 and 20 with drainage back to tank	31
MTR, MTRE 32, 45 and 64	32
SPK 1, SPK 2	33
SPK 4	34
MTH 2, 4, 8	36
MTA 30, 60, 90, 20H, 40H, 70H	37
MTA 120, 200, 100H	38
Shaft seals	39
8. Identification	40
MTR, MTRE type key	40
SPK type key	41
MTH type key	42
MTA type key	42
9. Installation	43
Installation of MTR, MTRE pumps	43
Installation of SPK pumps	43
Installation of MTH pumps	44
Installation of MTA pumps	44

10. Selection and sizing	46
Selection of pumps	46
Minimum inlet pressure - NPSH	50
11. Performance curves and technical data	51
Introduction to performance curves	51
MTR, MTRE, 50 Hz	52
MTR, MTRE, 60 Hz	74
MTRE for high pressure applications	96
SPK, 50 Hz	102
SPK, 60 Hz	108
MTH, 50 Hz	114
MTH, 60 Hz	123
MTA, 50/60 Hz	132
12. Motor data	150
Standard motors, MTR and SPK	150
Motors, MTH, 50 Hz	152
Motors, MTH, 60 Hz	152
Motors, MTH, 50 Hz, 3 x 200 V	152
Motors, MTH, 50/60 Hz, 3 x 200 V	*153
E-motors, MTRE	154
13. Pumped liquids	155
Pumped liquids	155
List of pumped liquids	156
14. Accessories	158
Pipe connection	158
Sensors for MTR, MTRE and SPK	159
EMC filter for MTRE	160
Grundfos GO	161
CIM communication interface modules	162
15. Variants	163
List of variants - on request	163
Immersion depths, MTR, MTRE	164
Immersion depths, SPK	165
Horizontal mounting	166
120 °C solution	166
Inlet pipe	166
16. Grundfos Product Center	167

1. Introduction

MTR, SPK and MTH



TM02 8540 0404

Fig. 1 MTR, SPK and MTH pumps

MTR, SPK and MTH pumps are vertical multistage centrifugal pumps designed for pumping of cooling lubricants for machine tools, condensate transfer and similar applications.

The pumps are designed to be mounted on top of tanks with the chamber stack immersed in the pumped liquid.

The pumps come in various pump sizes and have various numbers of stages to provide the flow rate, the pressure and the installation length required. To meet specific depths of tanks or containers, the immersible length of the pump can be varied using empty chambers.

The pumps consist of two main components: The motor and the pump unit. The motor is a Grundfos standard MG motor designed to EN standards.

The pump unit consists of optimised hydraulics, various types of connections, a motor stool, a given number of chambers and various other parts.

The pumps are available in two material versions

- standard range (A-version) with wetted parts of cast iron and stainless steel
- stainless steel version (I-version) with all wetted parts of stainless steel EN/DIN 1.4301 or better.

The mounting flange dimensions are according to DIN 5440. The mechanical shaft seal is according to EN 12756.

MTA



TM05 1132 2211

Fig. 2 MTA and MTA-H

The MTA range of single-stage immersible pumps has been designed especially for filtering systems in the machine tool industry.

The MTA pumps efficiently transport liquid containing chips, fibres and abrasive particles to the filtering unit. The semi-open impellers allow the passing of chips up to 10 mm.

These low-pressure pumps are available in 9 different hydraulic variants and come with a choice between top suction or bottom suction.

The pumps are designed to be mounted on top of tanks with the pump part immersed into the pumped liquid.

The pump is designed to be maintenance free, and therefore does not contain shaft seals or other wear parts.

2. Applications

Application	MTR(E)	SPK	MTH	MTA
Boring	•	•	•	•
Sawing	-	-	-	•
Milling	•	•	•	•
Grinding	•	•	•	•
Spark erosion	•	•	•	-
Wire cutting	•	•	•	-
Turning	•	•	•	•
Chilling	•	•	•	•
Part washing	•	•	•	-
Filtration	-	•	•	•
Condensate systems	•	•	•	-
Wash and clean	•	•	•	-

- The pump is suitable for this application.

Machine tool applications

Grundfos' range of high-pressure pumps offers unsurpassed accuracy and stability to make sure that nothing interferes with the delicate machining process. Equally important, high efficiency ensures a remarkably low heat input into the cooling lubricant. Integrated frequency converters can be optionally supplied for increased system efficiency and flexibility. Pumps suitable for machine tool applications are the immersible MTR, SPK, MTH, MTA and MTS, offering a tank mounted design. For MTS data, see separate MTS data booklet.

Machine tool sub applications

Boring

Grundfos is capable of providing the exact pressure and flow rate required for different materials, bore diameters and tool speeds in both through boring and blind boring. Our flexible range includes pumps supplying a pressure of up to 130 bar (MTS pumps), required for the deep blind-hole boring.

Milling and turning

The Grundfos range easily meets the individual cooling requirements of different materials in milling and turning - from low flow rate and low pressure to high flow rate and high pressure. The pumps are available in different lengths and customised to fit specific tank sizes. In fact, the modular construction of our pumps allows for more than 1,000,000 individual configurable variants.

Wire cutting

In wire cutting it is essential that the liquids are clean. This results in a more accurate process and extends the life of the filter. As a steady temperature is required for wire cutting operation, the process will benefit from a Grundfos E-solution.

Filtration

Reliable filtration is crucial in top quality machine tool applications, as it prolongs the life of the tool as well as prevents chips from damaging surfaces or tolerances.

With semi-open impellers, MTA and MTB are ideal for transporting liquids containing chips, fibres and abrasive particles to the filtration system.

For MTB data, see separate MTB data booklet.

Part washing

The Grundfos range includes pumps suitable for corrosive liquids and liquids with a high content of particles. Our frequency-converter operated pumps with high-efficiency motors ensure that systems operate under the best possible conditions with low-energy consumption. Pumps suitable for this application are MTB and all immersible pumps.

Chilling

The reliable and thoroughly-tested range of pumps for chillers offers a particularly diverse application spectrum. It covers cooling water circuits, washing plants, industrial circulation systems as well as general pressure boosting applications. All pumps are available with an E-motor to increase efficiency and perfectly control any process. Pumps suitable for this application are all immersible pumps.

Condensate systems

As condensate is normally pumped from a tank, an immersible pump will be a perfect choice. Compact solution as half the pump will be in the tank. Optimum suction as no pipes or valves are needed in front of inlet. For temperatures above 90 °C, a 120 °C version is available.

Wash and clean

As for condensate systems, wash and clean applications are typically based around a tank. So also here the immersible pumps can save space and secure optimum suction. A version in all stainless steel is available for aggressive liquids.

MTRE - pumps with built-in frequency-converter

TM05 8202 2113 - TM05 8203 2113

Fig. 3 MTRE pumps

MTRE pumps are MTR pumps with an E-motor, i.e. a motor with built-in frequency control. Frequency control enables continuously variable control of motor speed, which makes it possible to set the pump to operate in any duty point. The motors of the MTRE pumps are Grundfos MGE motors designed to EN standards.

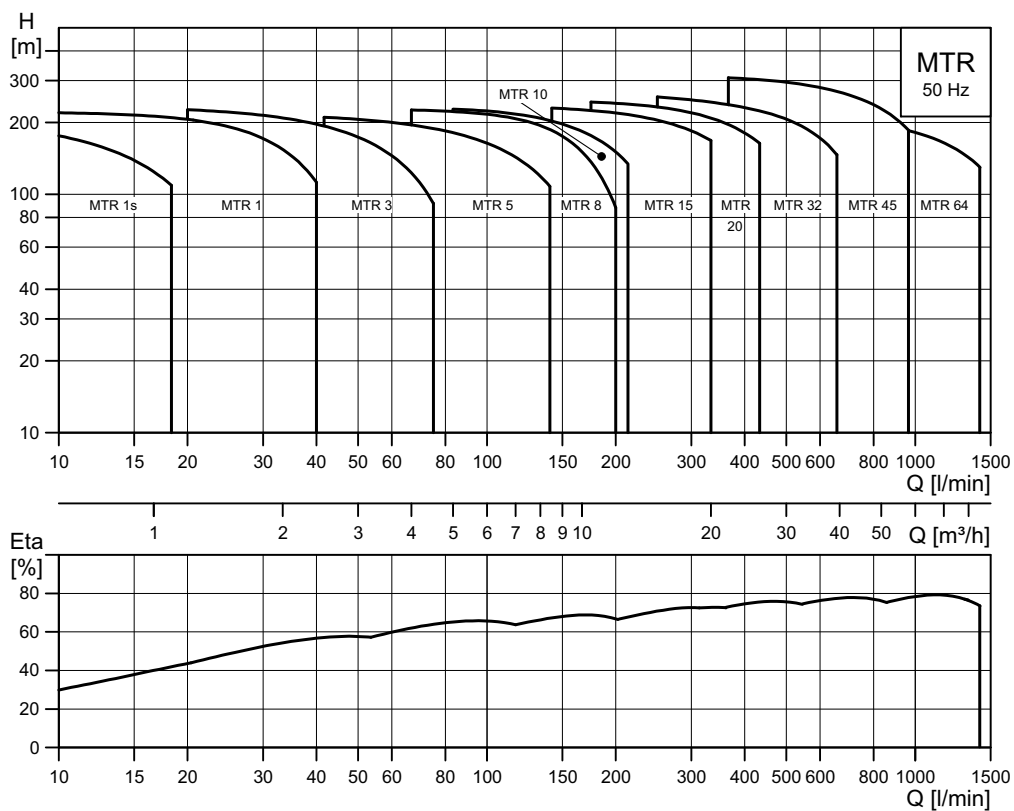
MTRE pumps are ideal for machining centres which operate with different machining processes and tools, as this will often result in different needs for flow and pressure.

The following features and benefits are typical for choosing an MTRE pump:

- energy savings
- low heat input into the cooling lubricant
- increased cooling efficiency
- better performance of the machining centre
- simple integration with the machining centre.

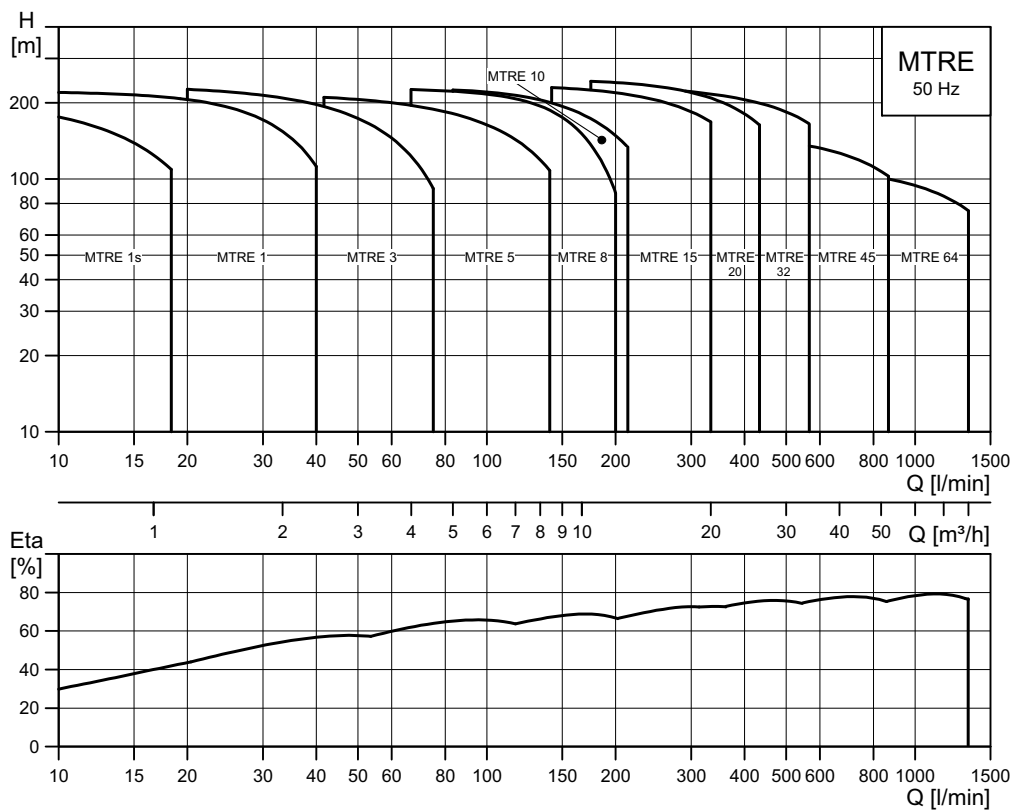
3. Performance range

MTR, 50 Hz



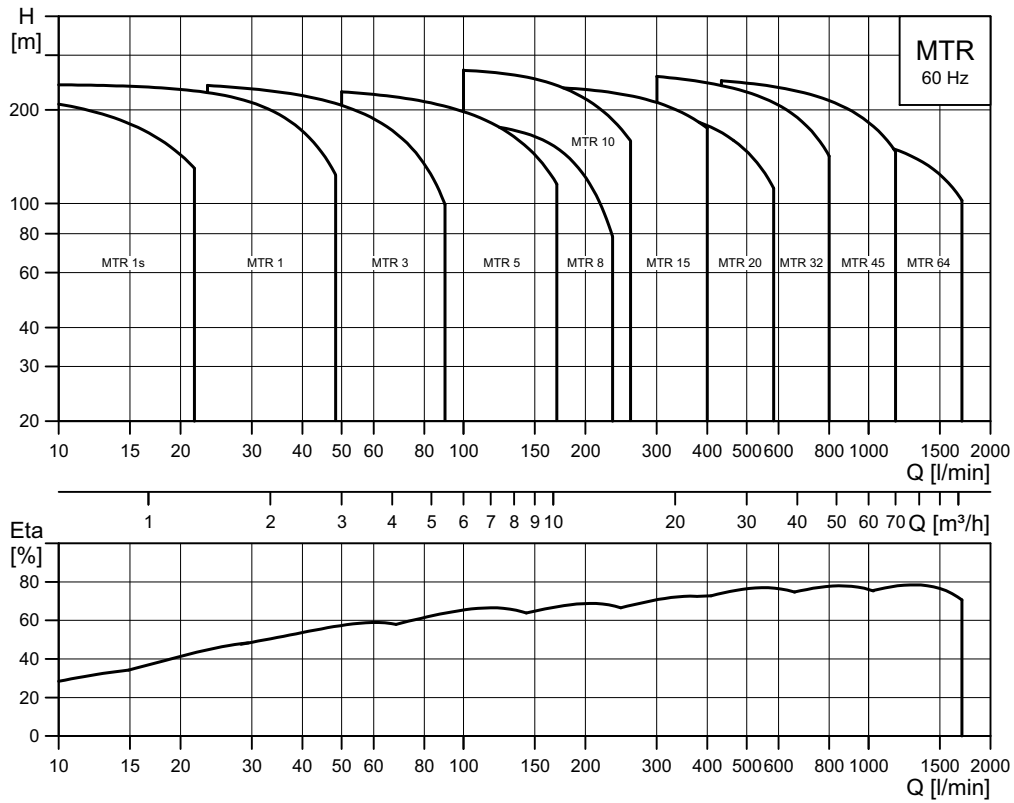
TM02 7818 0215

MTRE, 50 Hz



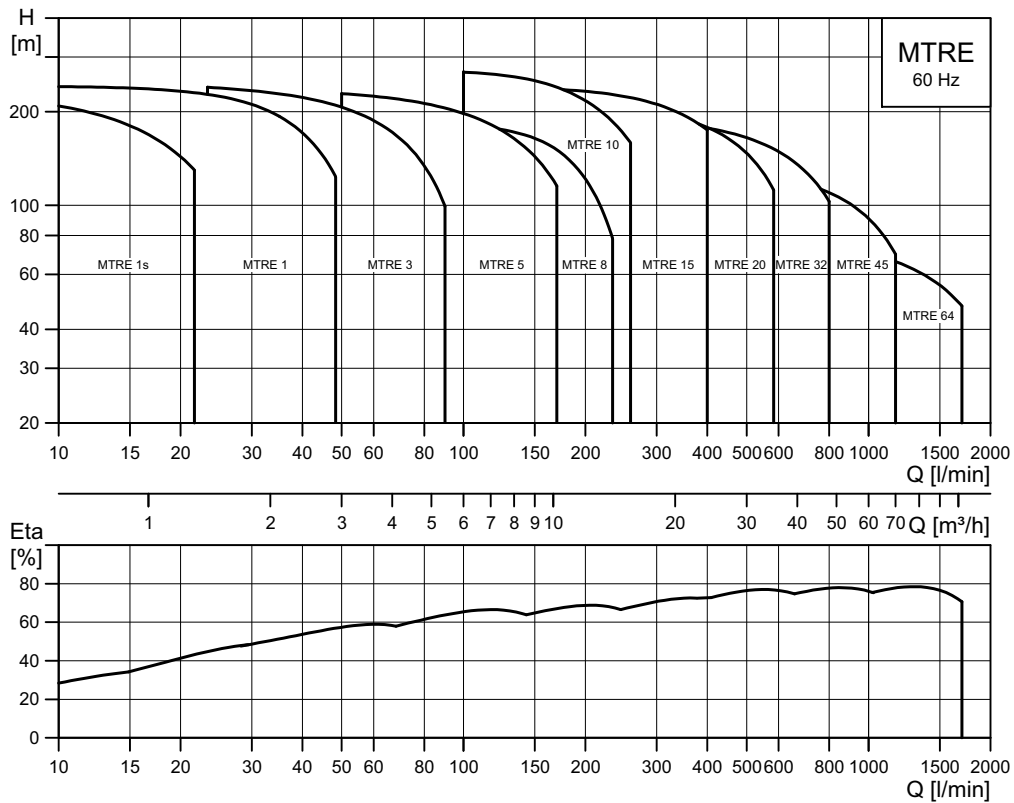
TM02 8553 0215

MTR, 60 Hz



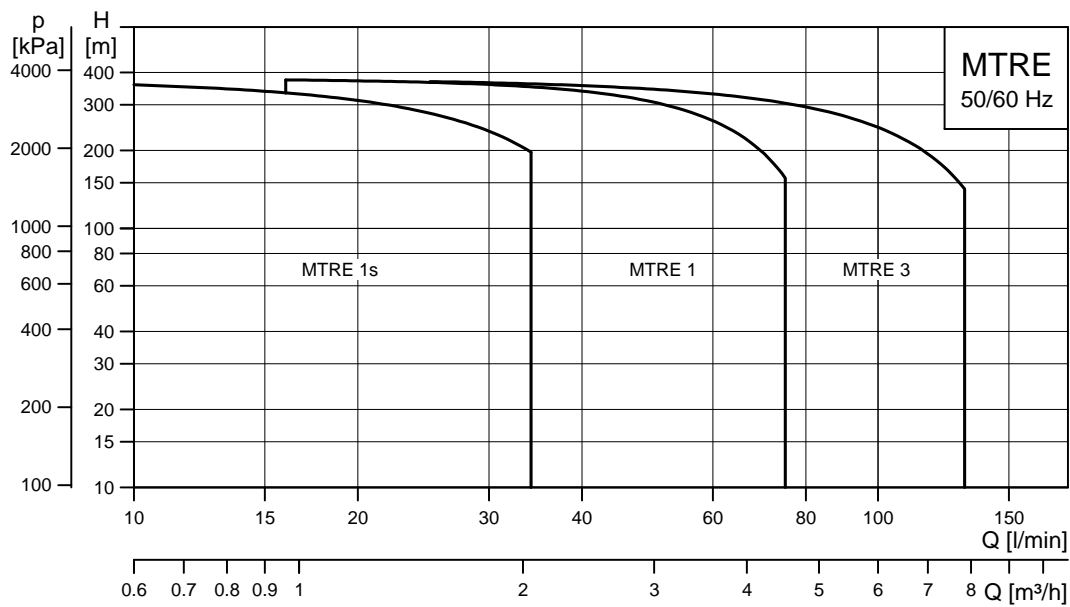
TM02 8105 0215

MTRE, 60 Hz



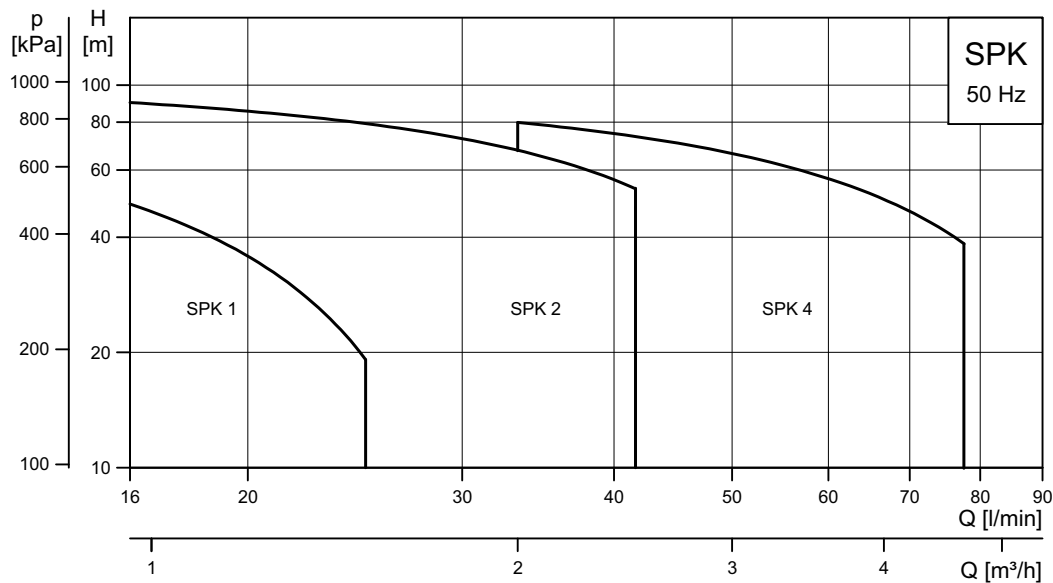
TM02 8554 0215

MTRE high pressure, 50/60 Hz



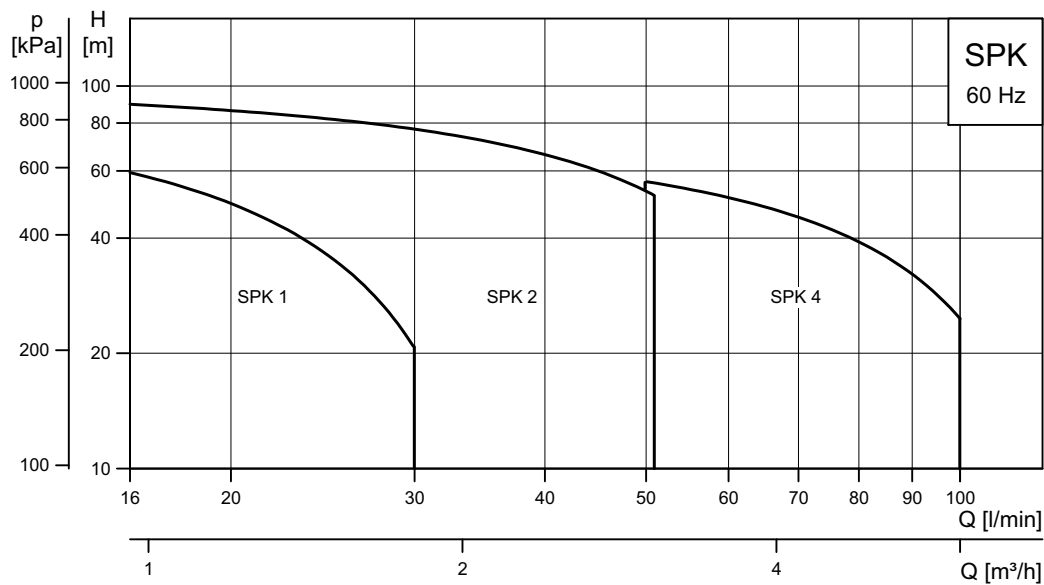
TM05 1565 3111

SPK, 50 Hz



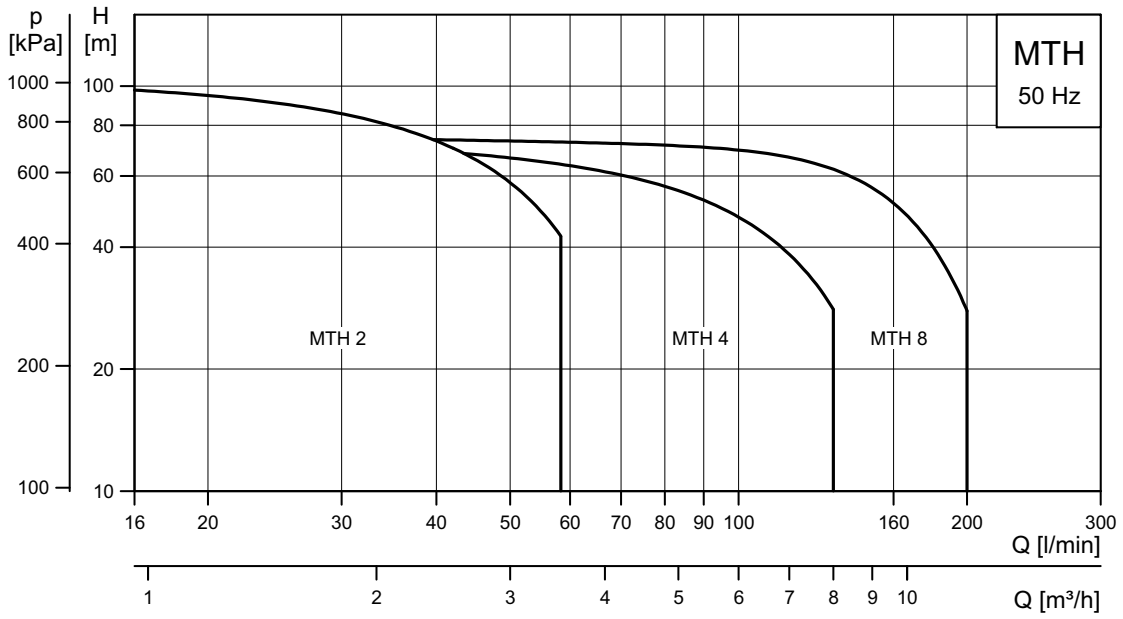
TM00 8398 0215

SPK, 60 Hz



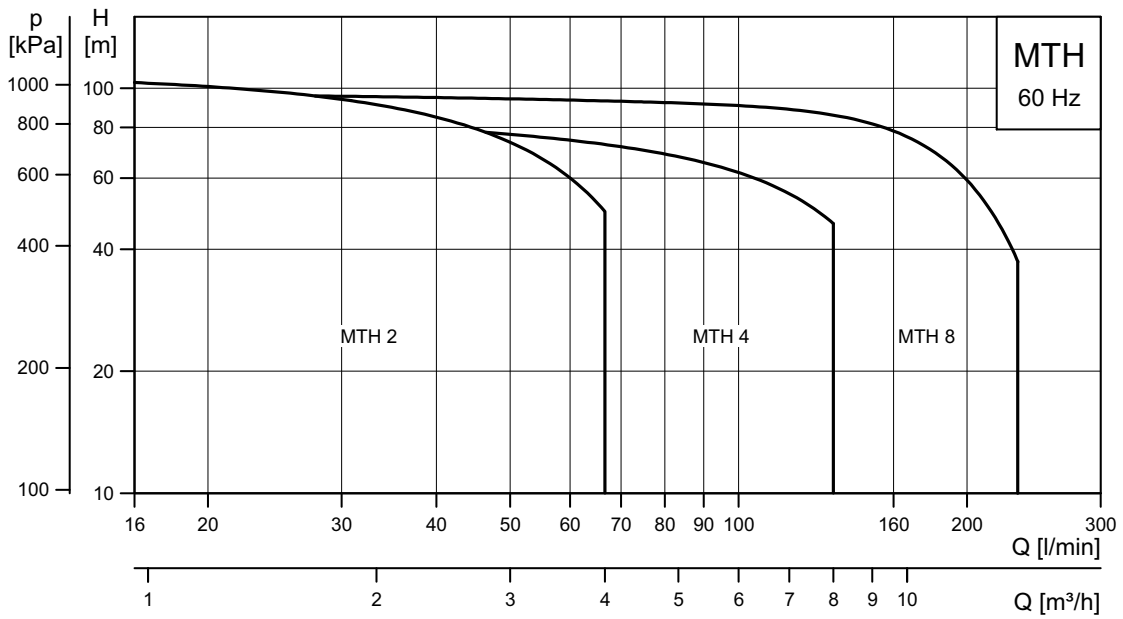
TM00 8397 0215

MTH, 50 Hz



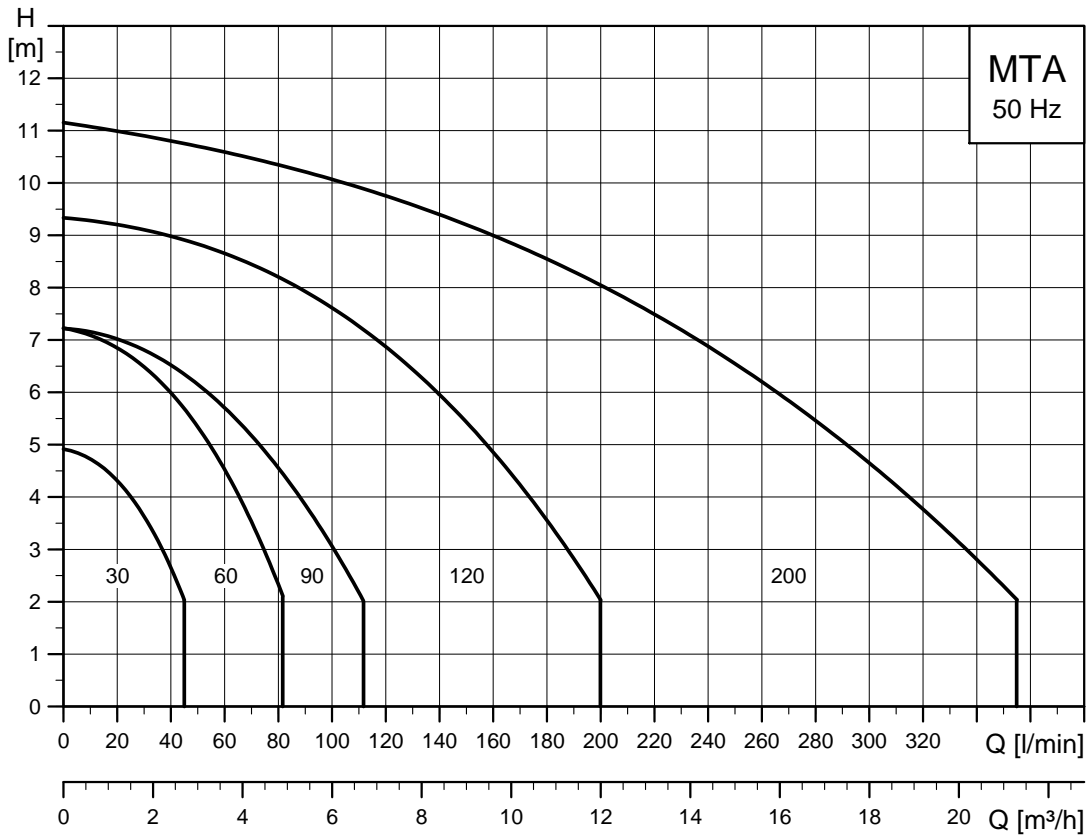
TM02 7828 3716

MTH, 60 Hz



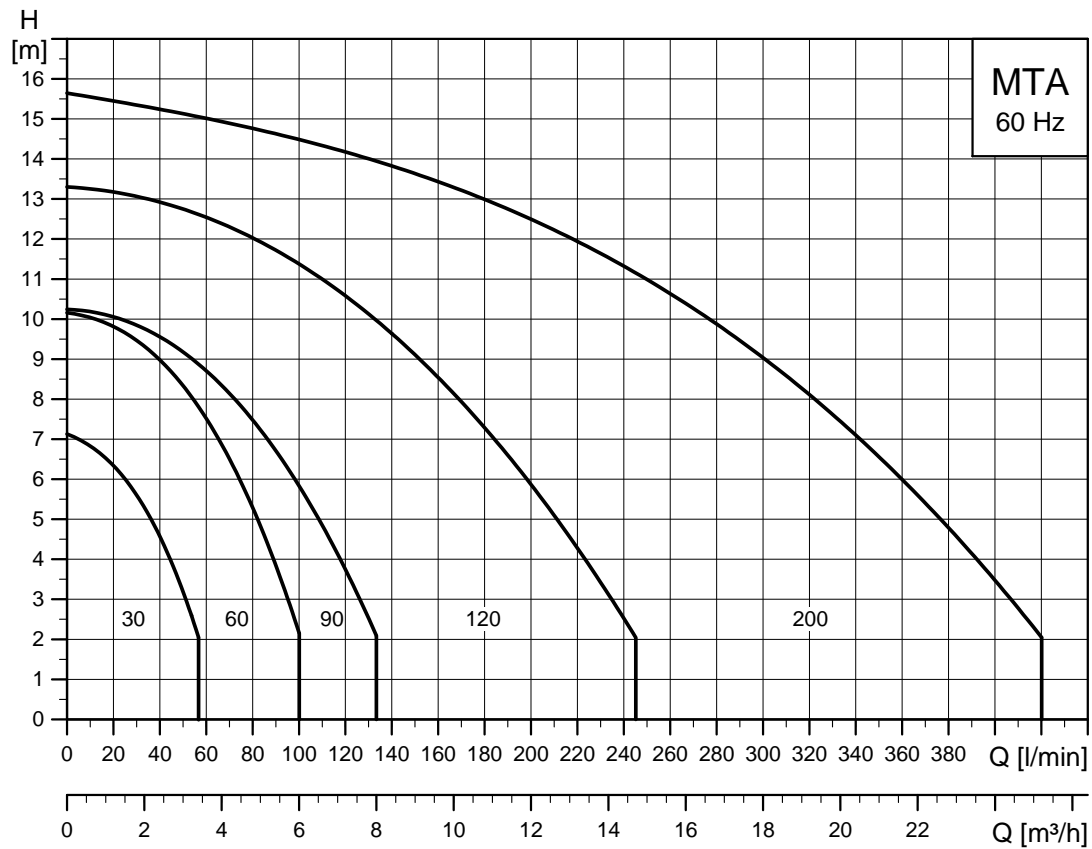
TM02 7828 3716

MTA, 50 Hz



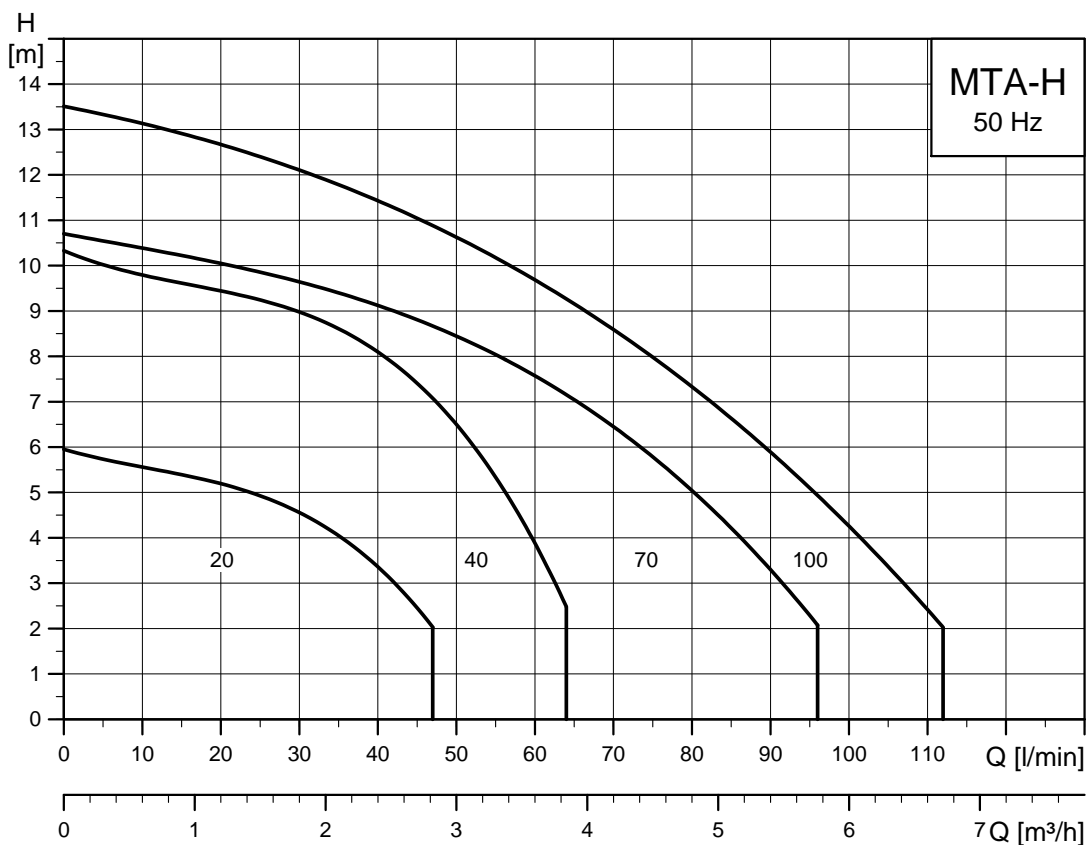
TM04 9437 1711

MTA, 60 Hz



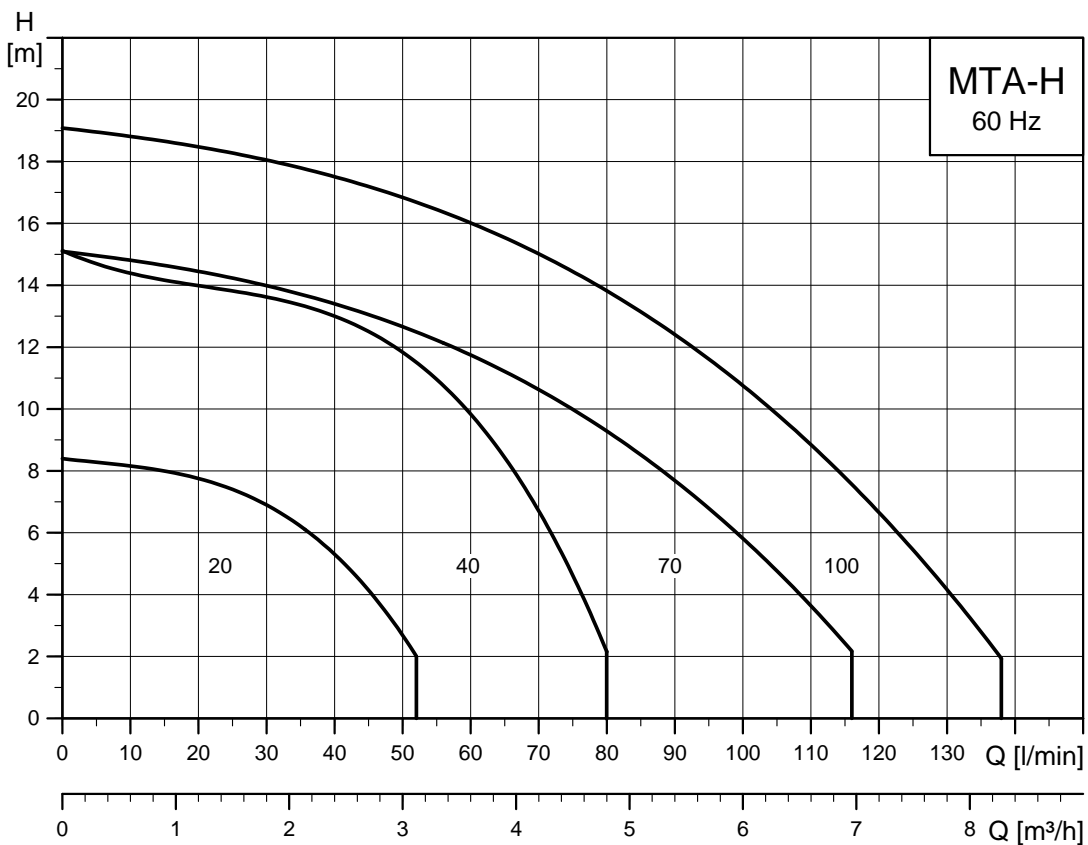
TM04 9439 1711

MTA-H, 50 Hz



TM04 9438 1711

MTA-H, 60 Hz



TM04 9440 1711

EuP ready

The MTR, MTRE, SPK and MTH pumps are energy-optimised and comply with the EuP Directive (Commission Regulation (EC) No 547/2012) which has been effective since 1 January 2013. As from this date, all pumps has been classified/graduated in the new minimum efficiency index (MEI).

Minimum efficiency index

Minimum efficiency index (MEI) means the dimensionless scale unit for hydraulic pump efficiency at best efficiency point (BEP), part load (PL) and overload (OL). The Commission regulation (EU) sets efficiency requirements to $MEI \geq 0.10$ as from 1 January 2013 and $MEI \geq 0.40$ as from 1 January 2015. An indicative benchmark for best-performing water pump available on the market as from 1 January 2013 is determined in the regulation.

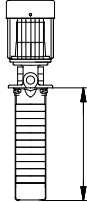
- The benchmark for most efficient water pumps is $MEI \geq 0.70$.
- The efficiency of a pump with a trimmed impeller is usually lower than that of a pump with the full impeller diameter. The trimming of the impeller will adapt the pump to a fixed duty point, thus leading to reduced energy consumption. MEI is based on the full impeller diameter.
- The operation of this water pump with variable duty points may be more efficient and economic when controlled, for example, by using a variable-speed drive that matches the pump duty to the system requirement.
- Information on benchmark efficiency is available at <http://europump.eu/efficiencycharts>.

Minimum efficiency index (MEI)

Pump type	MEI
MTR 1s-3/3	0.67
MTR 1-3/3	> 0.70
MTR 3-3/3	> 0.70
MTR 5-3/3	0.57
MTR 8-3/3	> 0.70
MTR 10-3/3	> 0.70
MTR 15-3/3	> 0.70
MTR 20-3/3	> 0.70
MTR 323/3	> 0.70
MTR 45-3/3	> 0.70
MTR 64-3/3	> 0.70
MTH 2-3/3	> 0.70
MTH 4-3/3	> 0.70
MTH 8-3/3	> 0.64

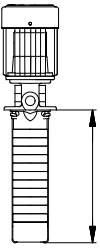
4. Product range

MTR, MTRE

Pump	MTR, MTRE 1s	MTR, MTRE 1	MTR, MTRE 3	MTR, MTRE 5	MTR, MTRE 8	MTR, MTRE 10	MTR, MTRE 15	MTR, MTRE 20	MTR, MTRE 32	MTR, MTRE 45	MTR, MTRE 64
50 Hz											
Rated flow rate [m ³ /h]	0.8	1	3	5	8	10	15	20	32	45	64
Rated flow rate [l/min]	13	17	50	83	133	167	250	333	533	750	1067
Temperature range [°C]	-10 - 90										
Maximum efficiency [%]	35	48	58	66	62	70	72	72	76	78	80
MTR pumps											
Flow range [m ³ /h]	0.3 - 1.3	0.7 - 2.4	1.2 - 4.5	2.5 - 8.5	4-12	5-13	8.5 - 23.5	10.5 - 29	15-40	22-58	30-85
Flow range [l/min]	5-22	12-40	20-75	42-142	67-200	83-217	142-392	175-483	250-667	367-967	500-1417
Maximum head [bar]	20	22	23	21	25	22	23	24	27	32	22
Motor power [kW]	0.37 - 1.1	0.37 - 2.2	0.37 - 3.0	0.37 - 5.5	0.37 - 7.5	0.37 - 7.5	1.1 - 15.0	1.1 - 18.5	1.5 - 30	3.0 - 45	4.0 - 45
MTRE pumps											
Flow range [m ³ /h]	0.3 - 1.3	0.7 - 2.4	1.2 - 4.5	2.5 - 8.5	4-12	5-13	8.5 - 23.5	10.5 - 29	15-40	22-58	30-85
Flow range [l/min]	5-22	12-40	20-75	42-142	67-200	83-217	142-392	175-483	250-667	367-967	500-1417
Maximum head [bar]	20	22	23	21	25	22	23	24	22	15	11
Motor power [kW]	0.37 - 1.1	0.37 - 2.2	0.37 - 3.0	0.37 - 5.5	0.37 - 7.5	0.37 - 7.5	1.1 - 15.0	1.1 - 18.5	1.5 - 22	3.0 - 22	4.0 - 22
60 Hz											
Rated flow rate [m ³ /h]	1	1.2	3.6	6	10	12	18	24	38	54	77
Rated flow rate [l/min]	17	20	60	100	167	200	300	400	633	900	1283
Temperature range [°C]	-10 - 90										
Maximum efficiency [%]	35	49	59	67	61	70	72	72	76	78	79
MTR pumps											
Flow range [m ³ /h]	0.4 - 1.6	0.8 - 2.9	1.4 - 5.4	3-10	4.5 - 14	6 - 15.5	10 - 28.5	13-35	18-48	26-70	36-102
Flow range [l/min]	7-27	13-23	48-90	50-167	75-233	100-258	167-475	217-583	300-800	433-1167	600-1700
Maximum head [bar]	22	24	23	23	19	26	23	21	27	26	18
Motor power [kW]	0.37 - 1.5	0.37 - 2.2	0.37 - 4.0	0.55 - 7.5	0.55 - 7.5	0.75 - 11	1.5 - 11	2.2 - 18.5	2.2 - 30	5.5 - 45	7.5 - 45
MTRE pumps											
Flow range [m ³ /h]	0.4 - 1.6	0.8 - 2.9	1.4 - 5.4	3-10	4.5 - 14	6 - 15.5	10 - 28.5	13-35	18-48	26-70	36-102
Flow range [l/min]	7-27	13-23	48-90	50-167	75-233	100-258	167-475	217-583	300-800	433-1167	600-1700
Maximum head [bar]	22	24	23	23	19	26	23	21	18	13	9
Motor power [kW]	0.37 - 1.5	0.37 - 2.2	0.37 - 4.0	0.55 - 7.5	0.55 - 7.5	0.75 - 11.0	1.5 - 11.0	2.2 - 11.0	2.2 - 22	5.5 - 22	7.5 - 22
Material variants											
Pump head (A-version): cast iron, EN-GJL-200	•	•	•	•	•	•	•	•	•	•	•
Pump head (I-version): stainless steel, EN 1.4408	•	•	•	•	•	•	•	•	•	•	•
Pipe connection											
A-version											
Internal thread	G 1 1/4	G 1 1/4	G 1 1/4	G 1 1/4	G 1 1/4	G 2	G 2	G 2	-	-	-
	-	-	-	-	-	Rp 2	Rp 2	Rp 2	-	-	-
Square flange with internal thread	Rp 1 1/4	Rp 1 1/4	Rp 1 1/4	Rp 1 1/4	Rp 1 1/4	-	-	-	-	-	-
Flange	-	-	-	-	-	-	-	-	DN 65	DN 80	DN 80
I-version											
Internal thread	G 1 1/4	G 1 1/4	G 1 1/4	G 1 1/4	G 1 1/4	G 2	G 2	G 2	-	-	-
	Rp 1 1/4	Rp 1 1/4	Rp 1 1/4	Rp 1 1/4	Rp 1 1/4	Rp 2	Rp 2	Rp 2	-	-	-
Flange	-	-	-	-	-	-	-	-	DN 65	DN 80	DN 80
Installation length [mm]											
	160-1006	160-1006	160-1006	169-1006	196-1006	148-1018	178-1033	178-1033	223-1343	244-1444	249-1487
Shaft seal*											
HUUV	•	•	•	•	•	•	•	•	•	•	•

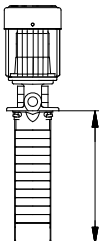
* Other shaft seals on request

SPK

Pump	SPK 1	SPK 2	SPK 4
50 Hz			
Rated flow rate [m ³ /h]	1	2	4
Rated flow rate [l/min]	16.7	33.3	67
Flow range [m ³ /h]	0.2 - 1.5	0.5 - 2.5	2.0 - 5.0
Flow range [l/min]	3.3 - 25	8.3 - 41.7	33.3 - 83
Maximum head [bar]	8.6	10.5	9.8
Motor power [kW]	0.06 - 0.55	0.06 - 0.75	0.06 - 1.1
Liquid temperature range [°C]	-10 - 90	-10 - 90	-10 - 90
Maximum efficiency [%]	40	55	50
Range 60 Hz			
Rated flow rate [m ³ /h]	1	2	4
Rated flow rate [l/min]	16.7	33.3	67
Flow range [m ³ /h]	0.2 - 1.8	0.6 - 3.0	2.0 - 6.0
Flow range [l/min]	3.3 - 30	10.0 - 50	33.3 - 100
Maximum head [bar]	8.5	10.0	7.5
Motor power [kW]	0.06 - 0.55	0.06 - 1.1	0.12 - 1.1
Liquid temperature range [°C]	-10 - 90	-10 - 90	-10 - 90
Maximum efficiency [%]	40	55	50
Material variants			
Pump head (A-version): cast iron, EN-GJL-200	•	•	•
Pump head (I-version): stainless steel, EN 1.4408	•	•	•
Pipe connection			
A-version			
Internal thread	G 3/4	G 3/4	G 3/4
Square flange with internal thread	Rp 3/4	Rp 3/4	Rp 3/4
I-version			
Internal thread	Rp 3/4	Rp 3/4	Rp 3/4
	G 3/4	G 3/4	G 3/4
Installation length [mm]			
	140-1005	140-1005	140-1005
Shaft seal*			
AUUV	•	•	•

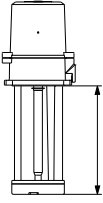
* Other shaft seals on request

MTH

Pump	MTH 2	MTH 4	MTH 8
50 Hz			
Rated flow rate [m ³ /h]	2.5	4	8
Rated flow rate [l/min]	42	67	133
Temperature range [°C]		-10 - 90	
Maximum efficiency [%]	45	50	60
Flow range [m ³ /h]	0.7 - 3.5	1.2 - 8	4-12
Flow range [l/min]	12-58	20-133	67-200
Maximum head [bar]	10	10	8
Motor power [kW]	0.55-1.1	0.55-2.2	0.55-3
60 Hz			
Rated flow rate [m ³ /h]	3	4.8	9.6
Rated flow rate [l/min]	50	80	160
Temperature range [°C]		-10 - 90	
Maximum efficiency [%]	45	50	60
Flow range [m ³ /h]	0.7 - 4	1.2 - 8	4.6-14
Flow range [l/min]	12-67	20-133	77-233
Maximum head [bar]	10	10	10
Motor power [kW]	0.55-1.1	0.55-2.2	0.55-4
Material variants			
Pump head (A-version): cast iron, EN-GJL-200	•	•	•
Pump head (I-version): stainless steel, EN 1.4408	•	•	•
Pipe connection			
A-version			
Internal thread	Rp 3/4	Rp 3/4	Rp 3/4
I-version			
Internal thread	Rp 3/4	Rp 3/4	Rp 3/4
Installation length [mm]			
	145-289	145-334	145-334
Shaft seal*			
AQQV	•	•	•

* Other shaft seals on request

MTA

Pump	MTA 30	MTA 60	MTA 90	MTA 120	MTA 200	MTA 20H	MTA 40H	MTA 70H	MTA 100H
Range									
50 Hz									
Rated flow rate [l/min]	30	50	80	100	200	20	35	60	90
Temperature range [°C]	0-60								
Flow range [l/min]	0-45	0-82	0-111	0-200	0-355	0-47	0-67	0-95	0-112
Maximum head [m]	4.9	7.2	7.2	9.3	11.1	5.9	10.2	10.2	13.5
60 Hz									
Rated flow rate [l/min]	35	60	96	120	250	24	42	72	108
Temperature range [°C]	0-60								
Flow range [l/min]	0-56	0-100	0-134	0-245	0-420	0-52	0-81	0-114	0-138
Maximum head [m]	7.1	10.1	10.2	13.3	15.6	8.4	14.2	14.6	19.1
Pipe connection									
Internal thread	Rp 3/8	Rp 1/2	Rp 3/4	Rp 1	Rp 2	Rp 3/8	Rp 1/2	Rp 3/4	Rp 1
	G 1/2	G 3/4	G 3/4	G 1 1/4	G 1 1/2	G 1/2	G 3/4	G 3/4	G 1
	1/2" NPT	3/4" NPT	3/4" NPT	1 1/4" NPT	1 1/2" NPT	1/2" NPT	3/4" NPT	3/4" NPT	1" NPT
Material									
Pump housing	Cast iron	Cast iron	Cast iron	Cast iron	Cast iron	Cast iron	Cast iron	Cast iron	Cast iron
Impeller	PAA GF50	PAA GF50	PAA GF50	Bronze	Bronze	Bronze	Bronze	Bronze	Bronze
Installation length [mm]									
	150	130-350	130-350	180-350	250-350	150	180	250	280
Suction									
Top suction	•	•	•	•	-	•	•	•	•
Bottom suction	•	•	•	•	•	-	-	•	-

* Impeller material: PAA GF50

5. Motors

Motors for MTR and SPK pumps

MTR and SPK pumps are fitted with a totally enclosed, fan-cooled, 2-pole Grundfos standard MG motor with principal dimensions according to IEC, DIN and British standards.

Electrical tolerances according to EN 60034.

Mounting designation	Up to 4 kW	V 18/B 14
	From 5.5 kW	V 1/B 5
Efficiency class	0.06 - 0.55 kW	-
	0.75 - 45 kW	IE3
Enclosure class	IP55	
Insulation class	F	
Supply voltage, 50 Hz (- 10 %/+ 10 %)	0.06 - 45 kW	3 x 220-240 / 380-415 V
	0.37 - 5.5 kW	3 x 380-415 V Δ
	7.5 - 45 kW	3 x 380-415 / 660-690 V
Supply voltage, 60 Hz (- 10 %/+ 10 %)	0.06 - 0.18 kW	3 x 220-277 / 380-480 V
	0.25 - 1.1 kW	3 x 220-255 / 380-440 V
	1.5 - 45 kW	3 x 220-277 / 380-480 V
	0.37 - 5.5 kW	3 x 380-440 V Δ
	7.5 - 45 kW	3 x 380-480 / 660-690 V
MTR pumps are also available for these supply voltages		
Supply voltage, 50 Hz	0.06 - 22 kW	3 x 200-220 / 346-380 V
	30-45 kW	
Supply voltage, 60 Hz	0.06 - 45 kW	3 x 200-230 / 346-400 V
	30-45 kW	
	0.25 - 45 kW	3 x 208-230 / 460-480 V

For detailed electrical data see [Motor data](#) on page 150.

On request, Grundfos MG motors are available with cURus approvals carried out by the Underwriters Laboratories Inc. according to UL 1004 Electric motor standard.

Motors for MTH pumps

MTH motors are totally enclosed, fan-cooled, 2-pole Grundfos standard motors with principal dimensions according to IEC, DIN and British standards.

Enclosure class	IP54
Insulation class	F
Supply voltage, 50 Hz (- 10 %/+ 10 %)	3 x 220-240 / 380-415 V
	3 x 200-220 / 346-380 V
Supply voltage, 60 Hz (- 10 %/+ 10 %)	3 x 220-255 / 380-440 V
	3 x 200-230 / 346-400 V
	3 x 208-230 / 460 V

Motors for MTA pumps

Efficiency class (only MTA 200, 750 W)	IE3
Enclosure class	IP54
Insulation class	F
Supply voltage, 50 Hz (- 10 %/+ 10 %)	3 x 220-240 / 380-415 V
	3 x 200 V
Supply voltage, 60 Hz (- 10 %/+ 10 %)	3 x 220-240 / 380-440 V
	3 x 200-220 V 3 x 208-230 / 460 V

We do not recommend operation via frequency converter.

Grundfos standard motors

Motor protection

Single-phase Grundfos motors have a built-in thermal overload switch (IEC 34-11:TP 211).

Three-phase motors must be connected to a motor-protective circuit breaker in accordance with local regulations.

Three-phase Grundfos motors from 3 kW and upwards have a built-in thermistor (PTC) according to DIN 44082 (IEC 34-11:TP 211).

Terminal box positions

MTR, MTRE, SPK and MTH

Pump	Terminal box positions			
	3 o'clock	6 o'clock (standard)	9 o'clock	12 o'clock
MTR	•	•	•	•
MTRE	•	•	•	•
SPK	•	•	•	•
MTH	•	•	•	-

MTA

Pump	Terminal box positions			
	3 o'clock	6 o'clock	9 o'clock (standard)	12 o'clock
MTA 30	•	-	•	-
MTA 60	•	(•)	•	(•)
MTA 90	•	(•)	•	(•)
MTA 120	(•)	(•)	•	(•)
MTA 200	(•)	(•)	•	(•)
MTA 20H	•	-	•	-
MTA 40H	•	(•)	•	(•)
MTA 70H	•	(•)	•	(•)
MTA 100H	(•)	(•)	•	(•)

- This position is possible. The pump can be ordered with the terminal box in this position or the terminal box can be turned to this position after delivery.
- (•) This position is possible, but the terminal box cannot be turned to this position after delivery. Therefore, the pump must be ordered with the terminal box in this position.
- This position is not possible.

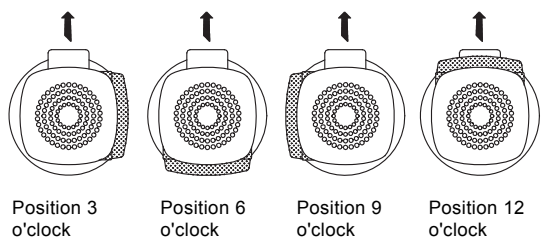


Fig. 4 Terminal box positions, top view

Maximum number of starts

Pump	Motor [kW]	Recommended maximum number of starts per hour
	0.06 - 0.18	100
	0.25 - 2.2	250
MTR	3-4	100
SPK	5.5 - 11	50
MTH	15-22	40
	30-45	8
MTA	All	250

Sound pressure level

Pump	Motor [kW]	\bar{L}_{pA} [dB(A)]	
		50 Hz	60 Hz
MTR SPK	0.06	41	41
	0.12	41	41
	0.18	41	41
	0.25	56	62
	0.37	53	58
	0.55	53	56
	0.75	53	57
	1.1	60	65
	1.5	59	65
	2.2	61	66
	3.0	59	64
	4.0	65	69
	5.5	63	68
	7.5	60	65
	11	60	65
	15	60	65
18.5	60	65	
22	64	69	
30	71	75	
37	71	75	
45	71	75	
MTH		< 70	< 70
MTA 30		< 45	< 45
MTA 60		< 45	< 45
MTA 90		< 45	< 45
MTA 120		< 62	< 62
MTA 200		< 62	< 62
MTA 20H		< 45	< 45
MTA 40H		< 45	< 45
MTA 70H		< 45	< 45
MTA 100H		< 62	< 62

The values have been measured according to EN ISO 4871.

Viscosity and density

The pumping of liquids with densities or kinematic viscosities higher than those of water will cause a considerable pressure drop, a drop in the hydraulic performance and a rise in the power consumption. In such situations, the pump must be fitted with a larger motor. If in doubt, contact Grundfos.

TM02 7777 2513

Ambient temperature

MTR, SPK

Motor power [kW]	Motor make	Motor efficiency class	Maximum ambient temperature at full load [°C]	Maximum altitude above sea level [m]
0.06 - 0.18	Siemens	-	40	1000
0.25 - 0.55	Grundfos MG	-	40	1000
0.75 - 22	Grundfos MG	IE3	60	3500
30-45	Siemens	IE3	55	2750

If the ambient temperature exceeds the above temperature values, or the pump is installed at an altitude exceeding the above altitude values, the motor must not be fully loaded due to the risk of overheating. Overheating may result from excessive ambient temperatures or the low density and consequently low cooling effect of the air.

In such cases, it may be necessary to use a motor with a higher rated output.

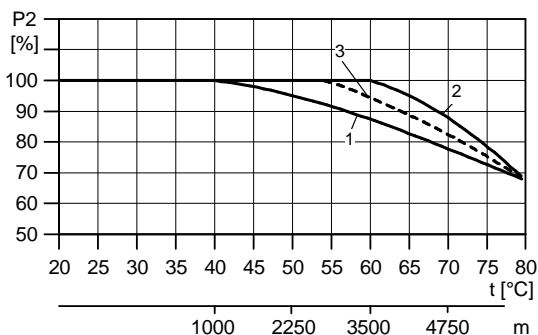


Fig. 5 The maximum motor output depends on the ambient temperature/altitude

Legend

Pos.	Description
1	Siemens motors (0.06 - 0.18 kW) MG motors (0.37 - 0.55 kW)
2	MG motors (0.75 - 22 kW)
3	Siemens motors (30-45 kW)

Example: A pump with a 1.1 kW IE3 MG motor: If this pump is installed 4750 m above sea level, the motor must not be loaded more than 88 % of rated output. At an ambient temperature of 75 °C, the motor must not be loaded more than 78 % of rated output. If the pump is installed 4750 m above sea level at an ambient temperature of 75 °C, the motor must not be loaded more than 88 % x 78 % = 68.6 % of rated output.

MTH

The motor used on an MTH pump is not shown in the list above, but the maximum ambient temperature at full load is the same as for MG motors.

MTA

Maximum permissible ambient temperature [°C]	40
--	----

Optional motors

The Grundfos standard range of motors meets a wide variety of system requirements.

For special applications or operating conditions, we offer custom-built motors, such as:

- ATEX-approved motors
- MG motors with anti-condensation heating unit
- motors with thermal protection.

Grundfos blueflux®

Grundfos blueflux® technology represents the best from Grundfos within energy-efficient motors and frequency converters. Grundfos blueflux® solutions either meet or exceed legislative requirements, such as the EuP IE3 and IE4 grades.



Fig. 6 Grundfos blueflux® label

To read more about the energy challenge and Grundfos blueflux®, please visit grundfos.com/energy.

Motors for MTRE pumps

MTRE is an MTR pump with frequency-controlled motors, type MGE.

MGE motors

The MGE motor is a totally enclosed, fan-cooled, 2-pole Grundfos frequency-controlled motor with principal dimensions in accordance with the EN standards.

Electrical tolerances comply with EN 60034.

MTRE pumps from 0.37 to 22 kW are fitted with three-phase MGE motors as standard.

0.37 to 1.5 kW single-phase MGE motors are available on request.

See the Grundfos Product Center

(<http://product-selection.grundfos.com/>).

Motor data for MGE

MGE motor size (MTRE)		
Mounting designation	Up to 4 kW	V18
	5.5 kW and up	V1
Efficiency class	0.75 - 11 kW	Above IE4 level*
	15-22 kW	IE3
	0.37 and 0.55 kW	The IE classification does not apply for these sizes
Enclosure class	0.37 - 11 kW	IP55 (IP66 optional)
	15-22 kW	IP55
Insulation class	F	
Supply voltage (- 10 %/+ 10 %)	0.37 - 1.5 kW	1 x 200-240 V
	0.37 - 11 kW	3 x 380-500 V
	15-22 kW	3 x 380-480 V
	1.1, 1.5, 2.2, 4.0, 5.5 kW	3 x 200-230 V, 60 Hz
Supply frequency	50/60 Hz	50/60 Hz

* Even though the MGE motor (0.37 to 11 kW) has no defined efficiency class, the efficiency is still above the IE4 level including both motor and electronics.

MGE motors, motor protection

MGE motors incorporate thermal protection against slow overload and blocking (IEC 34-11:TP 211).

MTRE pumps require no external motor protection.

MGE motors, ambient temperature

Motor power [kW]	Motor make	Phases	Maximum ambient temperature [°C]	Maximum altitude above sea level [m]
0.37 - 1.5	MGE	1	50	
0.37 - 11	MGE	3	50	1000
15-22	MGE	3	40	

If the ambient temperature exceeds the above maximum ambient temperatures or the pump is installed at an altitude exceeding 1000 metres, the motor must not be fully loaded due to the risk of overheating. Overheating may result from excessive ambient temperatures or the low density and consequently low cooling effect of the air.

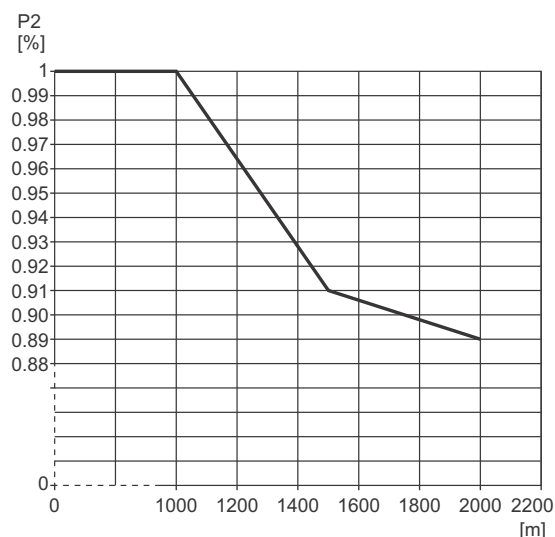
In such cases, it may be necessary to use a motor with a higher rated output.

Installation altitude

Installation altitude is the height above sea level of the installation site. Motors installed up to 1000 metres above sea level can be loaded 100 %.

Motors installed more than 1000 metres above sea level must not be fully loaded due to the low density and consequently low cooling effect of the air.

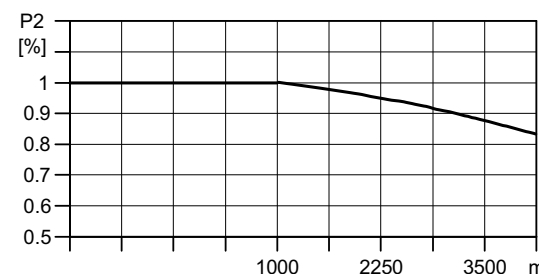
MGE 0.37 to 11 kW



TM05 6400 4712

Fig. 7 Derating of motor output (P2) in relation to altitude above sea level

MGE 15 to 22 kW



TM01 6728 3299

Fig. 8 Derating of motor output (P2) in relation to altitude above sea level

6. Control of MTRE pumps

Control options

You can communicate with MTRE pumps via the following control devices/systems:

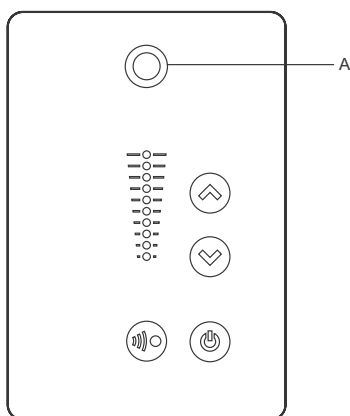
- operating panel on the pump
- Grundfos GO
- central management system.

Operating panel on pump

The operating panel on the E-pump terminal box makes it possible to change the setpoint settings manually.

MGE 0.37 to 11 kW

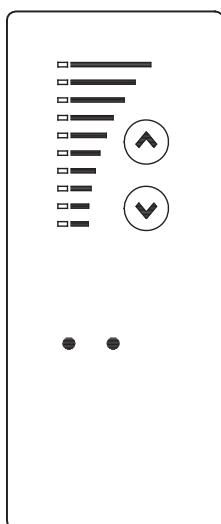
The operating condition of the pump is indicated by the Grundfos Eye on the operating panel. See fig. 9, pos. A.



TM05 5993 4312

Fig. 9 Operating panel on MTRE pump, 0.37 to 11 kW

MGE 15 to 22 kW



TM02 8513 0304

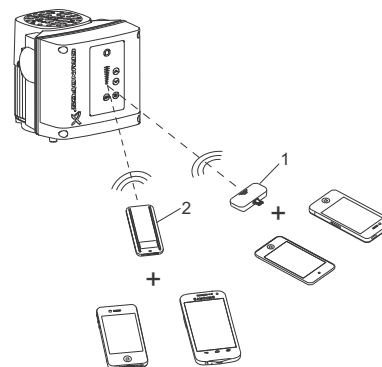
Fig. 10 Operating panel on MTRE pump, 15 to 22 kW

Grundfos GO

The pump is designed for wireless radio or infrared communication with Grundfos GO.

Grundfos GO enables setting of functions and gives access to status overviews, technical product information and actual operating parameters.

Grundfos GO offers the following mobile interfaces (MI).



TM06 6256 0916

Fig. 11 Grundfos GO communicating with the pump via radio or infrared connection (IR)

Pos.	Description
1	Grundfos MI 204: Add-on module enabling radio or infrared communication. You can use MI 204 in conjunction with an Apple iPhone or iPod with Lightning connector, e.g. fifth generation or later iPhone or iPod Touch. MI 204 is also available together with an Apple iPod Touch and a cover.
2	Grundfos MI 301: Separate module enabling radio or infrared communication. You can use the module in conjunction with an Android or iOS-based smart device with Bluetooth connection.

Communication

Communication must be established using one of these communication types:

- radio communication
- infrared communication.

Radio communication

Radio communication can take place at distances up to 30 metres. You must enable communication by pressing or on the pump control panel.

Infrared communication

When communicating via infrared light, point the Grundfos GO at the pump control panel.

Central management system

Communication with the E-pump is possible even if the operator is not present near the E-pump. Communication is enabled by connecting the E-pump to a central management system. This allows the operator to monitor the pump and to change control modes and setpoint settings.

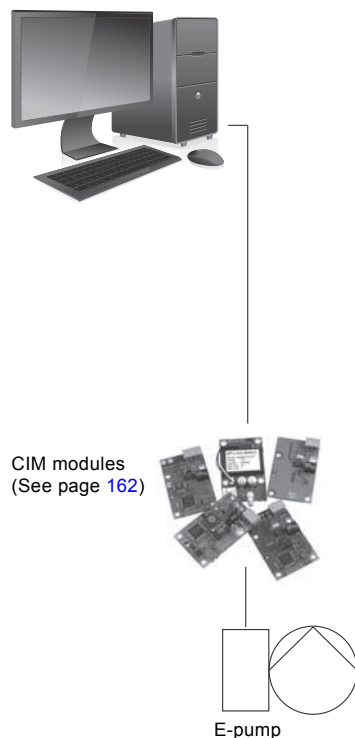


Fig. 12 Structure of a central management system

TM06 7627 3716

Control modes for E-pumps

Grundfos MTRE pumps are only available without pressure sensor.

MTRE without sensor

MTRE pumps without sensor are suitable in these situations:

- Where uncontrolled operation is required.
- You want to retrofit another sensor in order to control the flow rate, temperature, differential temperature, liquid level, pH value, etc. at some arbitrary points in the system.

MGE 0.37 to 11 kW

These MTRE pumps without sensor can be set to either of these control modes:

- constant pressure
- constant differential pressure
- constant temperature
- constant differential temperature
- constant flow rate
- constant level
- constant curve
- constant other value.

MGE 15 to 22 kW

These MTRE pumps without sensor can be set to either of these control modes:

- controlled operation
- uncontrolled operation (factory setting).

In controlled-operation mode, the pump adjusts its performance to the desired setpoint. See fig. 13.

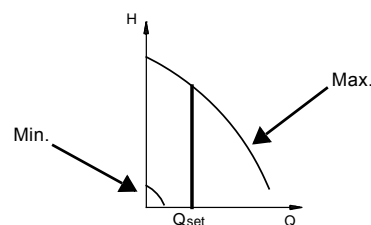


Fig. 13 Constant-flow mode

In uncontrolled-operation mode, the pump operates according to the constant curve set. See fig. 14.

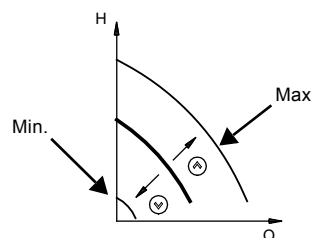


Fig. 14 Constant-curve mode

TM02 7264 2803

TM00 8323 1204

MTRE 1s, 1, 3 and 5 pumps with extended performance range

Standard MTRE 1s, 1, 3 and 5 pumps, 50 Hz, are able to operate in a range above the 100 % curve. See fig. 15.

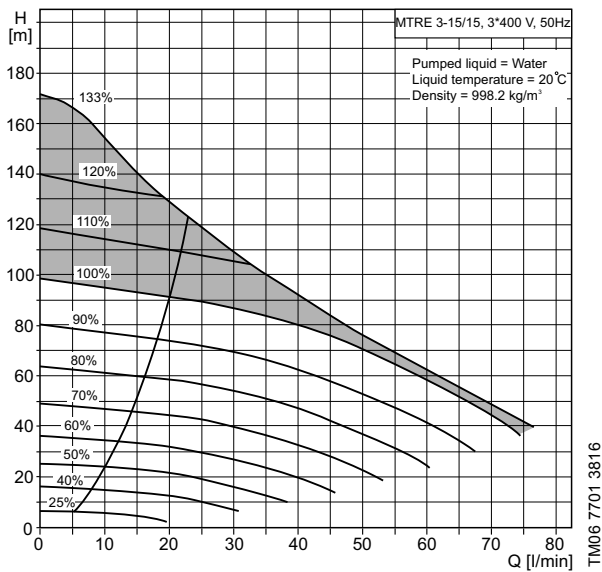


Fig. 15 MTRE 1s, 1, 3 and 5 pumps with extended performance range

The extended range is provided by means of optimised software which uses the MGE motor in an optimum way. The result is that the the pump is able to deliver higher head and flow rate with the same motor size.

The curve sheets in this data booklet only show the nominal 100 % QH curve.

Grundfos Product Center show the extended performance range of the pumps. See page 167.

Functional module for MGE 0.37 to 11 kW

Advanced functional module (FM 300)

The FM 300 is factory-fitted in all MTRE pumps from 0.37 to 11 kW.

The module has a number of inputs and outputs enabling the motor to be used in advanced applications where many inputs and outputs are required.

The FM 300 has these connections:

- three analog inputs
- one analog output
- two dedicated digital inputs
- two configurable digital inputs or open-collector outputs
- Grundfos Digital Sensor input and output
- two Pt100/1000 inputs
- two LiqTec sensor inputs
- two signal relay outputs
- GENIbus connection.

Connection terminals

All inputs and outputs are internally separated from the mains-conducting parts by reinforced insulation and galvanically separated from other circuits. All control terminals are supplied by protective extra-low voltage (PELV), thus ensuring protection against electric shock.

• Signal relay outputs

– Signal relay 1:

LIVE:

Mains supply voltages up to 250 VAC can be connected to this output.

PELV:

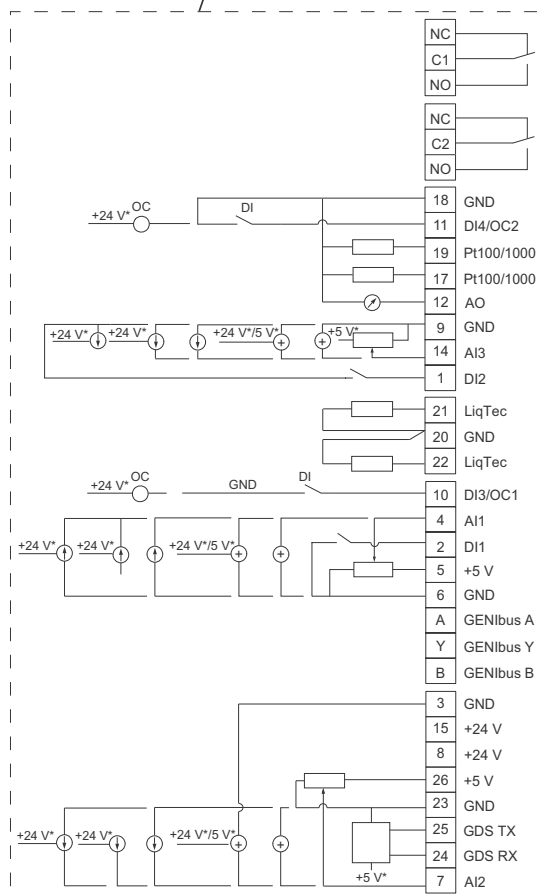
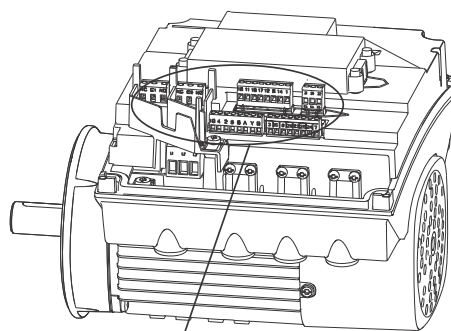
The output is galvanically separated from other circuits. Therefore, the supply voltage or protective extra-low voltage can be connected to the output as desired.

– Signal relay 2:

PELV:

The output is galvanically separated from other circuits. Therefore, the supply voltage or protective extra-low voltage can be connected to the output as desired.

- **Mains supply** (terminals N, PE, L or L1, L2, L3, PE)



* If an external supply source is used, there must be a connection to GND.

Fig. 16 Connection terminals, FM 300 functional module

TM05 3509 3512

Functional module for MGE 15 to 22 kW

Advanced I/O module

The advanced I/O module is the standard functional module in all MGE motors from 15 to 22 kW.

The module has a number of inputs and outputs enabling the motor to be used in advanced applications where many inputs and outputs are required.

The Advanced I/O module has these connections:

- start/stop terminals
- three digital inputs
- one setpoint input
- one sensor input (feedback sensor)
- one sensor two input
- one analog output
- two Pt100 inputs
- two signal relay outputs
- GENIbus connection.

Connection terminals

As a precaution, the wires to be connected to the following connection groups must be separated from each other by reinforced insulation in their entire lengths.

Inputs

- Start/stop (terminals 2 and 3)
- digital inputs (terminals 1 and 9, 10 and 9, 11 and 9)
- sensor input 2 (terminals 14 and 15)
- Pt100 sensor inputs (terminals 17, 18, 19 and 20)
- setpoint input (terminals 4, 5 and 6)
- sensor input (terminals 7 and 8)
- GENIbus (terminals B, Y and A).

All inputs are internally separated from the mains-conducting parts by reinforced insulation and galvanically separated from other circuits.

All control terminals are supplied with protective extra-low voltage (PELV), thus ensuring protection against electric shock.

Output (relay signal, terminals NC, C, NO)

The output is galvanically separated from other circuits.

Therefore, the supply voltage or protective extra-low voltage can be connected to the output as desired.

- Analog output (terminal 12 and 13).

Mains supply (terminals L1, L2, L3)

A galvanic separation must fulfil the requirements for reinforced insulation including creepage distances and clearances specified in EN 61800-5-1.

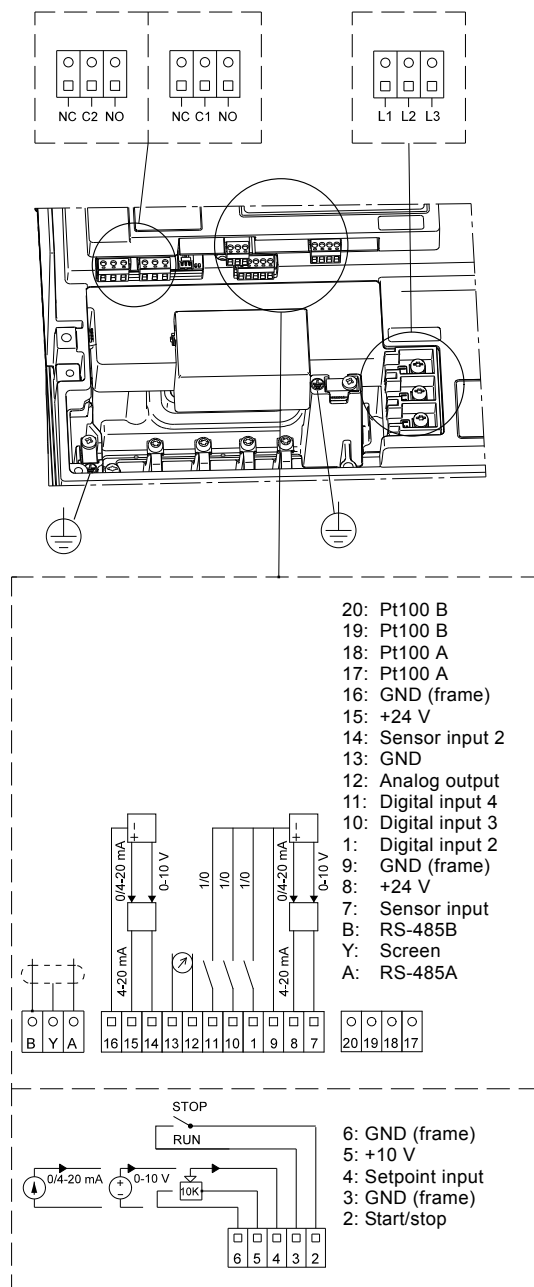


Fig. 17 Connection terminals, Advanced I/O module

TM05 7035 0313

7. Construction

MTR, MTRE 1s, 1, 3, 5 and 8

Sectional drawing

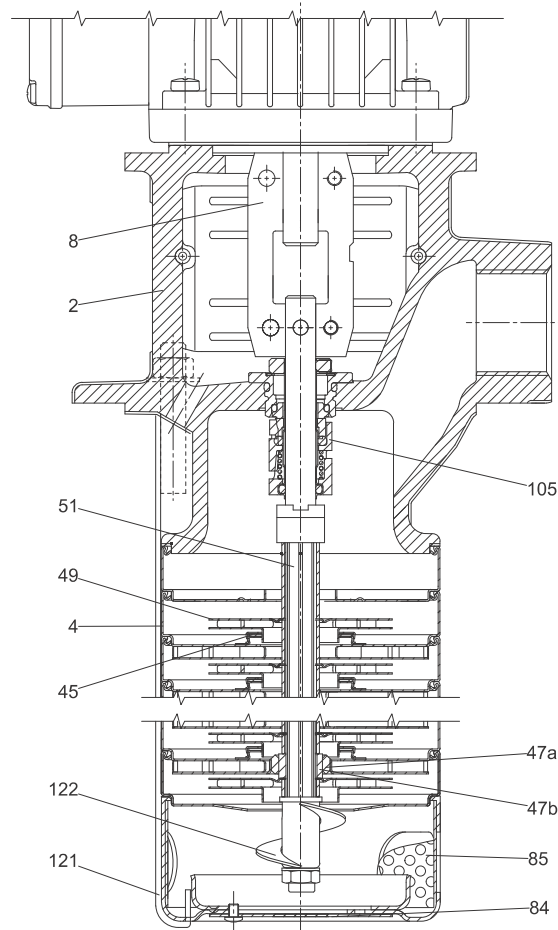


Fig. 18 MTR, MTRE 1s, 1, 3, 5 and 8

TM02 8687 2813

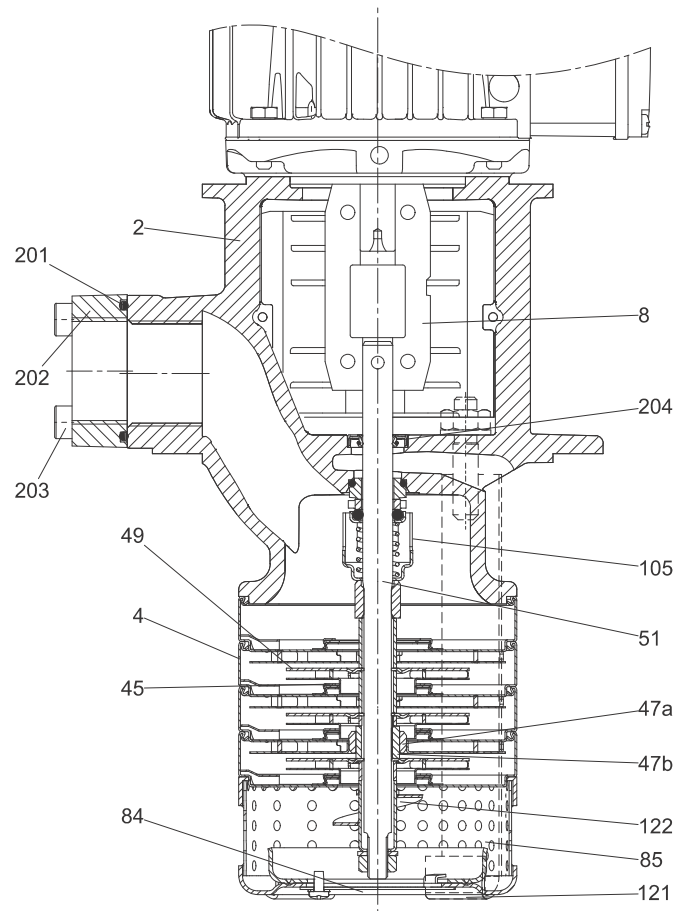
Materials

Pos.	Description	A-version			I-version			N-version*		
		Materials	EN/DIN	AISI/ASTM	Materials	EN/DIN	AISI/ASTM	Materials	EN/DIN	AISI/ASTM
2	Pump head	Cast iron	EN-GJL-200	ASTM 25B	Stainless steel	1.4408	AISI 316LN	Stainless steel	1.4408	AISI 316LN
4	Chamber	Stainless steel	1.4301	AISI 304	Stainless steel	1.4301	AISI 304	Stainless steel	1.4401	AISI 316
8	Coupling	Sintered metal			Sintered metal			Sintered metal		
45	Neck ring	PTFE			PTFE			PTFE		
47a	Bearing ring, stationary	Silicon carbide			Silicon carbide			Silicon carbide		
47b	Bearing ring, rotating	Silicon carbide			Silicon carbide			Silicon carbide		
49	Impeller	Stainless steel	1.4301	AISI 304	Stainless steel	1.4301	AISI 304	Stainless steel	1.4401	AISI 316
51	Pump shaft	Stainless steel	1.4401	AISI 316	Stainless steel	1.4401	AISI 316	Stainless steel	1.4401	AISI 316
84	Suction strainer	Stainless steel	1.4301	AISI 304	Stainless steel	1.4301	AISI 304	Stainless steel	1.4401	AISI 316
85	Strainer internal	Stainless steel	1.4301	AISI 304	Stainless steel	1.4301	AISI 304	Stainless steel	1.4401	AISI 316
105	Shaft seal	HUUV/HUUE			HUUV/HUUE			HUUV/HUUE		
121	Strap	Stainless steel	1.4301	AISI 304	Stainless steel	1.4301	AISI 304	Stainless steel	1.4539	AISI 904L
122	Priming screw	Stainless steel	1.4301	AISI 304	Stainless steel	1.4301	AISI 304	Stainless steel	1.4401	AISI 316

* Available Q1, 2017.

MTR, MTRE 1s, 1, 3, 5 and 8 with drainage back to tank

Sectional drawing



TM06 0196 2514

Fig. 19 MTR, MTRE 1s, 1, 3, 5 and 8 with drainage back to tank

Materials

Pos.	Description	A-version		
		Materials	EN/DIN	AISI/ASTM
2	Pump head	Cast iron	EN-GJL-200	ASTM 25B
4	Chamber	Stainless steel	1.4301	AISI 304
8	Coupling	Sintered metal		
45	Neck ring	PTFE		
47a	Bearing ring, stationary	Silicon carbide		
47b	Bearing ring, rotating	Silicon carbide		
49	Impeller	Stainless steel	1.4301	AISI 304
51	Pump shaft	Stainless steel	1.4401	AISI 316
84	Suction strainer	Stainless steel	1.4301	AISI 304
85	Strainer internal	Stainless steel	1.4301	AISI 304
105	Shaft seal	AQQV/AQQE		
121	Strap	Stainless steel	1.4301	AISI 304
122	Priming screw	Stainless steel	1.4301	AISI 304
201	O-ring	NBR		
202	Counter flange	Cast iron	EN-GJL-200	ASTM 25B
203	Bolt	Stainless steel		
204	Lip seal	FKM		

MTR, MTRE 10, 15 and 20

Sectional drawing

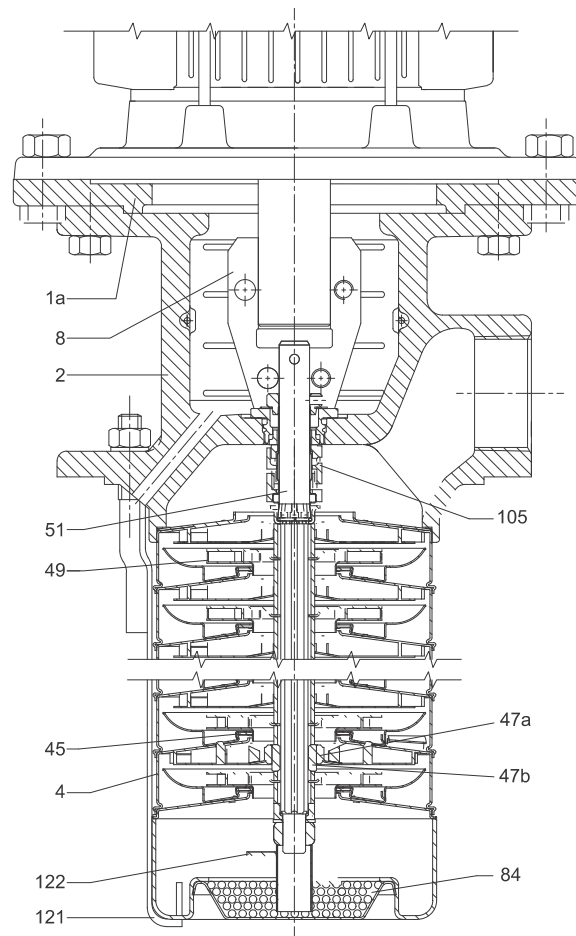


Fig. 20 MTR, MTRE 10, 15 and 20

TM02 8688 2813

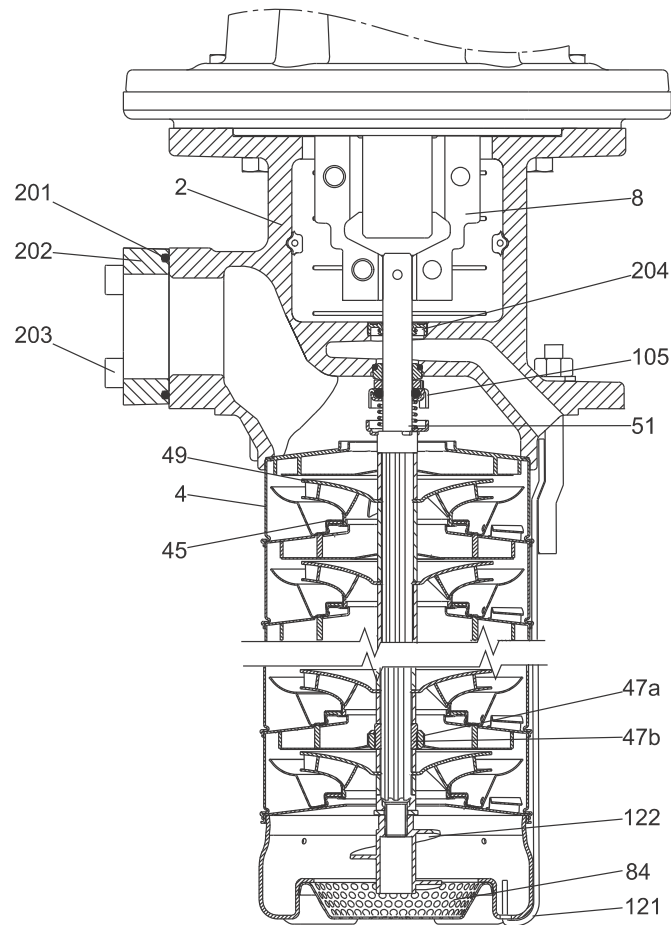
Materials

Pos.	Description	A-version			I-version			N-version*		
		Materials	EN/DIN	AISI/ASTM	Materials	EN/DIN	AISI/ASTM	Materials	EN/DIN	AISI/ASTM
1a	Motor stool	Cast iron	EN-GJL-200	ASTM 25B	Cast iron	EN-GJL-200	ASTM 25B	Cast iron	EN-GJL-200	ASTM 25B
2	Pump head	Cast iron	EN-GJL-200	ASTM 25B	Stainless steel	1.4408	AISI 316LN	Stainless steel	1.4408	AISI 316LN
4	Chamber	Stainless steel	1.4301	AISI 304	Stainless steel	1.4301	AISI 304	Stainless steel	1.4401	AISI 316
8	Coupling	Sintered metal			Sintered metal			Sintered metal		
45	Neck ring	PTFE			PTFE			PTFE		
47a	Bearing ring, stationary	Silicon carbide			Silicon carbide			Silicon carbide		
47b	Bearing ring, rotating	Silicon carbide			Silicon carbide			Silicon carbide		
49	Impeller	Stainless steel	1.4301	AISI 304	Stainless steel	1.4301	AISI 304	Stainless steel	1.4401	AISI 316
51	Pump shaft	A-version: stainless steel	1.4057	AISI 431	I-version: stainless steel	1.4460		I-version: stainless steel	1.4460	
84	Suction strainer	Stainless steel	1.4301	AISI 304	Stainless steel	1.4301	AISI 304	Stainless steel	1.4401	AISI 316
105	Shaft seal	HUUV/HUUE			HUUV/HUUE			HUUV/HUUE		
121	Strap	Stainless steel	1.4301	AISI 304	Stainless steel	1.4301	AISI 304	Stainless steel	1.4539	AISI 904L
122	Priming screw	Stainless steel	1.4301	AISI 304	Stainless steel	1.4301	AISI 304			

* Available Q1, 2017.

MTR, MTRE 10, 15 and 20 with drainage back to tank

Sectional drawing



TM06 1430 2414

Fig. 21 MTR, MTRE 10, 15 and 20 with drainage back to tank

Materials

Pos.	Description	A-version		
		Materials	EN/DIN	AISI/ASTM
1a	Motor stool	Cast iron	EN-GJL-200	ASTM 25B
2	Pump head	Cast iron	EN-GJL-200	ASTM 25B
4	Chamber	Stainless steel	1.4301	AISI 304
8	Coupling	Sintered metal		
45	Neck ring	PTFE		
47a	Bearing ring, stationary	Silicon carbide		
47b	Bearing ring, rotating	Silicon carbide		
49	Impeller	Stainless steel	1.4301	AISI 304
51	Pump shaft	Stainless steel	1.4057	AISI 431
84	Suction strainer	Stainless steel	1.4301	AISI 304
105	Shaft seal	AQQV/AQQE		
121	Strap	Stainless steel	1.4301	AISI 304
122	Priming screw	Stainless steel	1.4301	AISI 304
201	O-ring	NBR		
202	Counter flange	Cast iron	EN-GJL-200	ASTM 25B
203	Bolt	Stainless steel		
204	Lip seal	FKM		

MTR, MTRE 32, 45 and 64

Sectional drawing

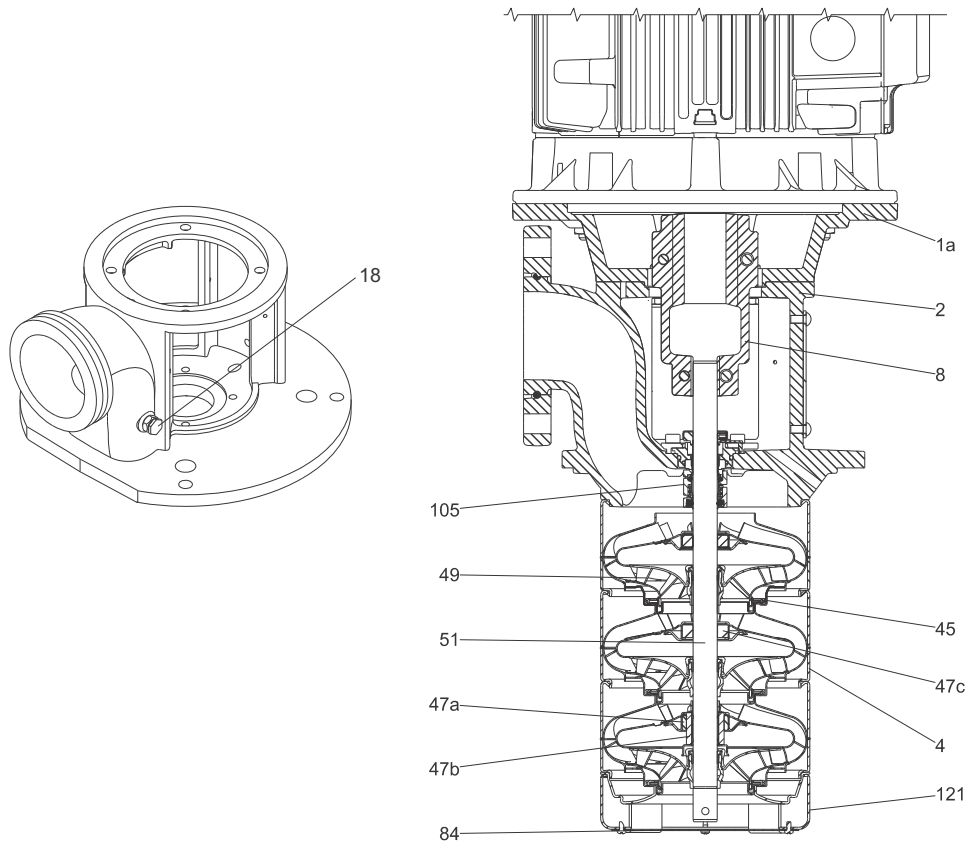


Fig. 22 MTR, MTRE 32, 45 and 64

Materials

Pos.	Description	A-version			I-version			N-version ²⁾		
		Materials	EN/DIN	AISI/ASTM	Materials	EN/DIN	AISI/ASTM	Materials	EN/DIN	AISI/ASTM
1a	Motor stool	Cast iron	EN-GJL-200	ASTM 25B	Cast iron	EN-GJL-200	ASTM 25B	Cast iron	EN-GJL-200	ASTM 25B
2	Pump head	Cast iron	EN-GJL-200	ASTM 25B	Stainless steel	1.4408	AISI 316LN	Stainless steel	1.4408	AISI 316LN
4	Chamber	Stainless steel	1.4301	AISI 304	Stainless steel	1.4301	AISI 304	Stainless steel	1.4401	AISI 316
8	Coupling	Nodular iron	EN-GJS-500-7	ASTM 80-55-06	Nodular iron	EN-GJS-500-7	ASTM 80-55-06	Nodular iron	EN-GJS-500-7	ASTM 80-55-06
18	Air vent screw	Stainless steel	1.4301	AISI 304	Stainless steel	1.4301	AISI 304	Stainless steel	1.4401	AISI 316
45	Neck ring	PTFE			PTFE			PTFE		
47a	Bearing ring, stationary	Silicon carbide			Silicon carbide			Silicon carbide		
47b	Bearing ring, rotating	Silicon carbide			Silicon carbide			Silicon carbide		
47c	Bush	Graflon [®] , HY49			Graflon [®] , HY49			Graflon [®] , HY49		
49	Impeller	Stainless steel	1.4301	AISI 304	Stainless steel	1.4301	AISI 304	Stainless steel	1.4401	AISI 316
51	Pump shaft	Stainless steel	1.4057	AISI 431	Stainless steel	1.4462		Stainless steel	1.4462	
	O-ring ¹⁾	A-version: NBR			Depending on rubber material in shaft seal			Depending on rubber material in shaft seal		
84	Suction strainer	Stainless steel	1.4301	AISI 304	Stainless steel	1.4301	AISI 304	Stainless steel	1.4401	AISI 316
105	Shaft seal	HUUV/HUUE			HUUV/HUUE			HUUV/HUUE		
121	Strap	Stainless steel	1.4301	AISI 304	Stainless steel	1.4301	AISI 304	Stainless steel	1.4539	AISI 904L

¹⁾ Only used in pumps with empty chambers.

²⁾ Available Q1, 2017.

SPK 1, SPK 2

Sectional drawing

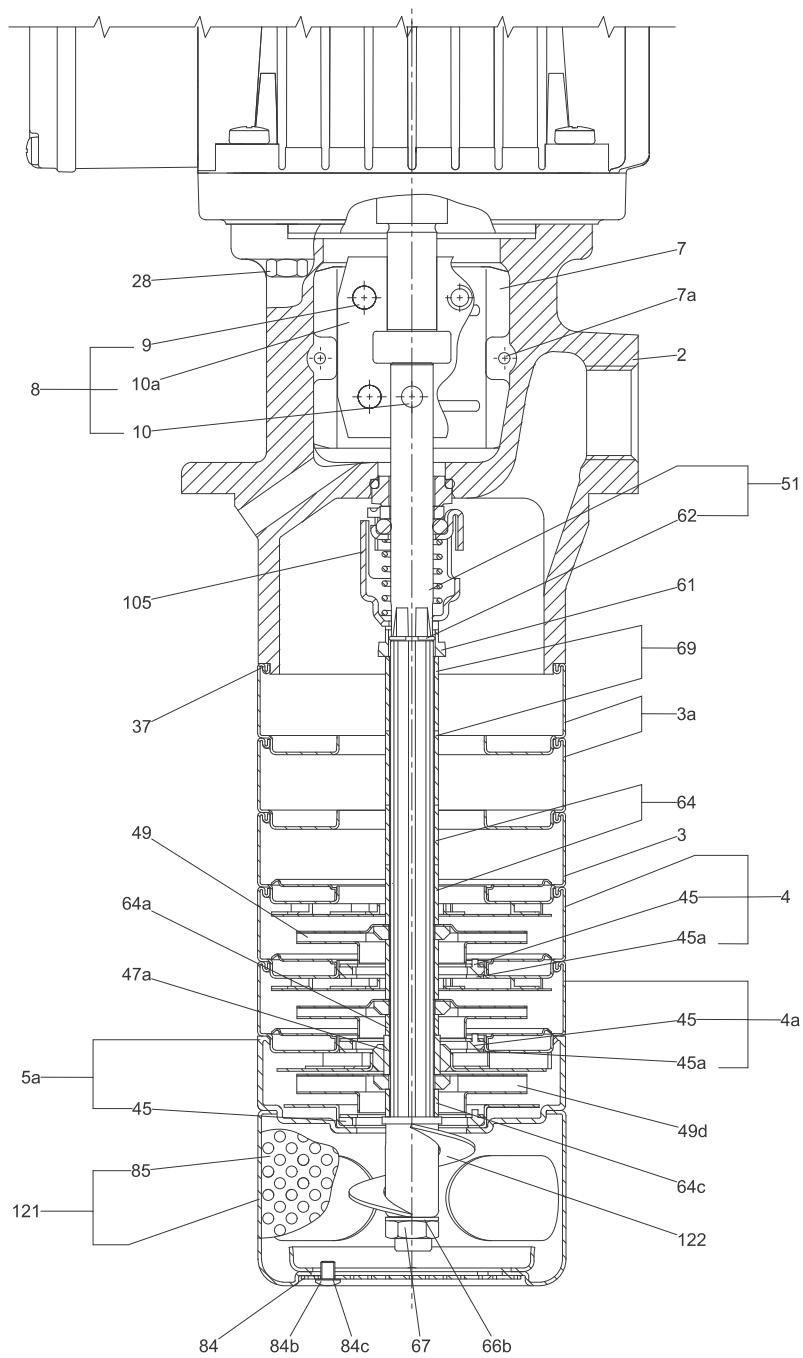
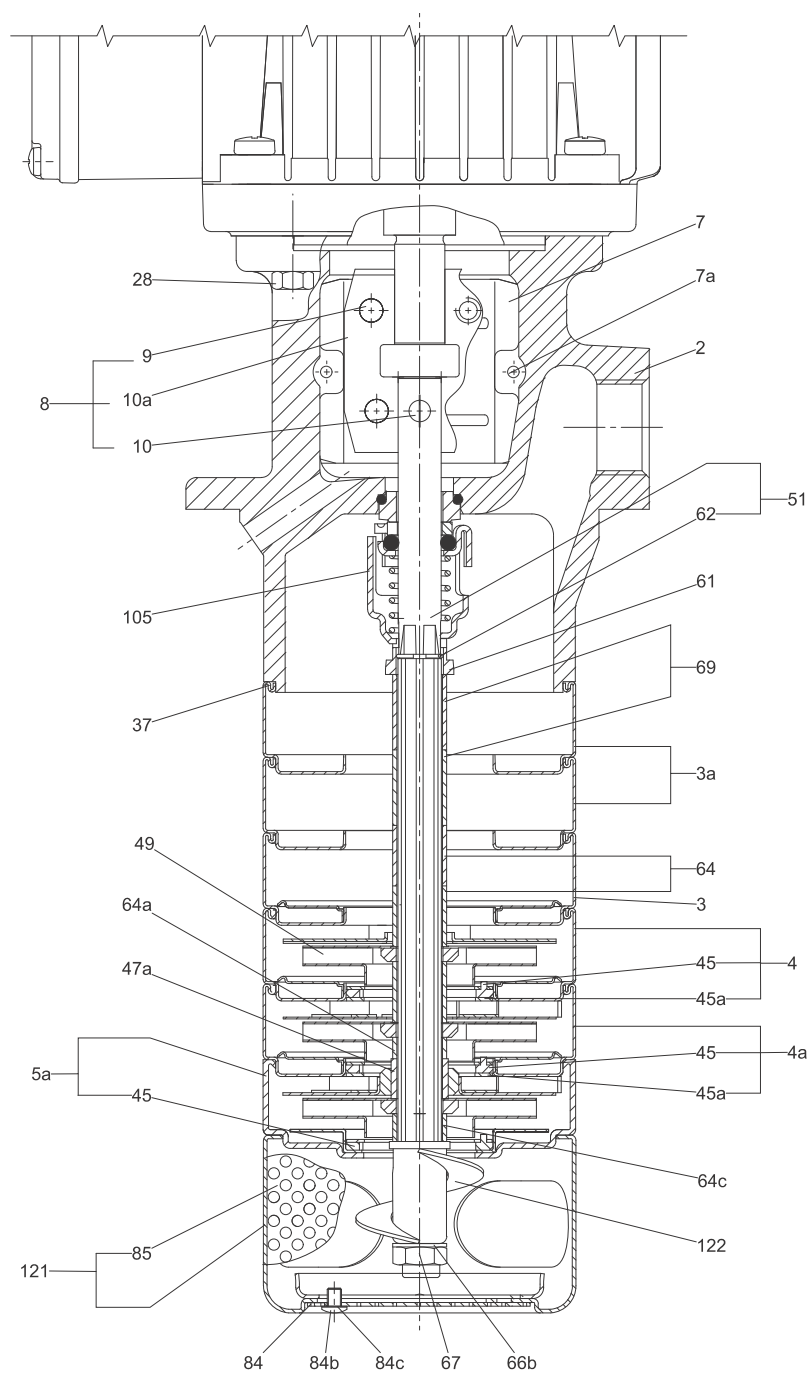


Fig. 23 SPK 1, SPK 2

For information on the materials please see page 35.

TM01 9281 2813

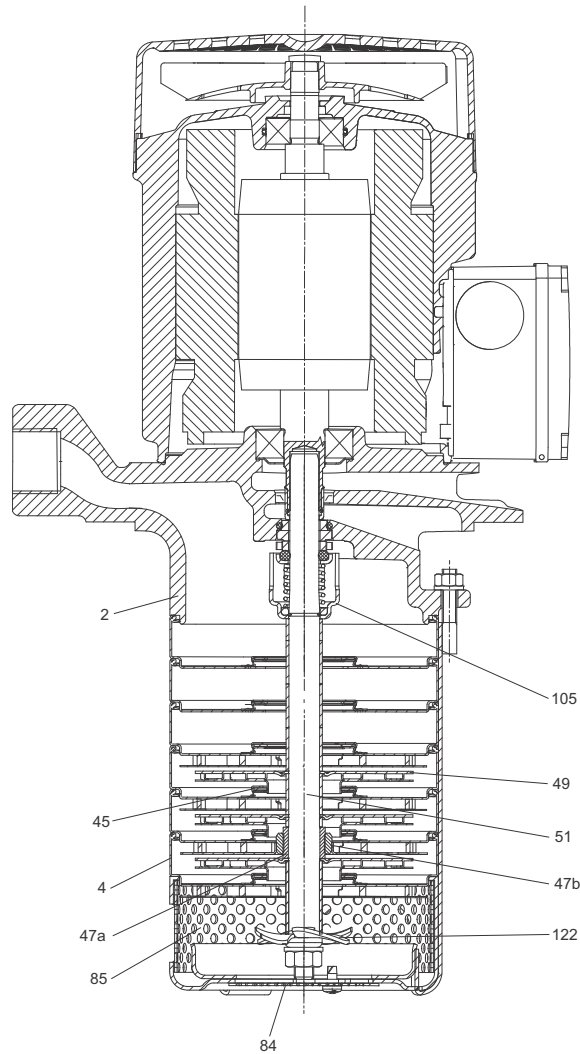
SPK 4**Sectional drawing****Fig. 24** SPK 4

For information on the materials please see page [35](#).

TM02 0111 1901

SPK materials

Pos.	Description	Materials	EN/DIN	AISI/ASTM
Pump head				
2	Pump head	A-version: cast iron	EN-GJL-200	ASTM 25B
		I-version: stainless steel	1.4408	AISI 316LN
7	Coupling guard	Stainless steel	1.4301	AISI 304
7a	Screw	Stainless steel		
28	Set screw	Stainless steel		
	Extension pipe	Stainless steel	1.4301	AISI 304
Chamber without bearing				
3	Chamber, empty	Stainless steel	1.4301	AISI 304
3a	Chamber, empty	Stainless steel	1.4301	AISI 304
4	Chamber	Stainless steel	1.4301	AISI 304
45	Neck ring	SPK 1, 2 and 4: PPS with 40 % glass fibre SPK 8: Tin/bronze	2.1020.10	
45a	Disc for neck ring	PTFE		
64	Spacing pipe	Stainless steel	1.4401	AISI 316
69	Spacing pipe	Stainless steel	1.4401	AISI 316
Chamber with bearing				
4a	Chamber	Stainless steel	1.4301	AISI 304
	Bearing in chamber	Ceramic Al ₂ O ₃ 95-100 % Hilox™		
45	Neck ring	SPK 1, 2 and 4: PPS with 40 % glass fibre SPK 8: Tin/bronze	2.1020.10	
45a	Disc for neck ring	PTFE		
47a	Bearing ring	Tungsten carbide		
64a	Spacing pipe	Stainless steel	1.4401	AISI 316
64b	Spacing pipe	Stainless steel	1.4401	AISI 316
Bottom chamber				
5a	Chamber	Stainless steel	1.4301	AISI 304
45	Neck ring	SPK 1, 2 and 4: PPS with 40 % glass fibre		
45a	Disc for neck ring	PTFE		
64c	Spacing pipe	Stainless steel	1.4401	AISI 316
Inlet part				
84	Suction strainer	Stainless steel	1.4301	AISI 304
121	Inlet part	Stainless steel	1.4301	AISI 304
84b	Set screw	Stainless steel		
Shaft				
51	Spline shaft	Stainless steel	1.4057	AISI 431
61	Neck ring	Stainless steel	1.4301	AISI 304
62	Stop ring	Stainless steel	1.4436	AISI 316
64c	Neck ring	Stainless steel	1.4401	AISI 316
66	Washer	Stainless steel	1.4301	AISI 304
67	Locking nut	Stainless steel	1.4401	AISI 316
69a	Spacing pipe	Stainless steel	1.4301	AISI 304
112	Spacing pipe	Stainless steel	1.4301	AISI 304
122	Priming screw	Stainless steel	1.4401	AISI 316
Impeller				
49	Impeller	Stainless steel	1.4301	AISI 304
49d	Impeller, lower	Stainless steel	1.4301	AISI 304
Strap				
26	Strap	Stainless steel	1.4301	AISI 304
36	Nut	Stainless steel		
66a	Washer	Stainless steel		
Coupling				
8	Coupling	Sintered metal		
9	Hexagon socket head screw	Steel		
10	Shaft pin	Stainless steel	1.4301	AISI 304

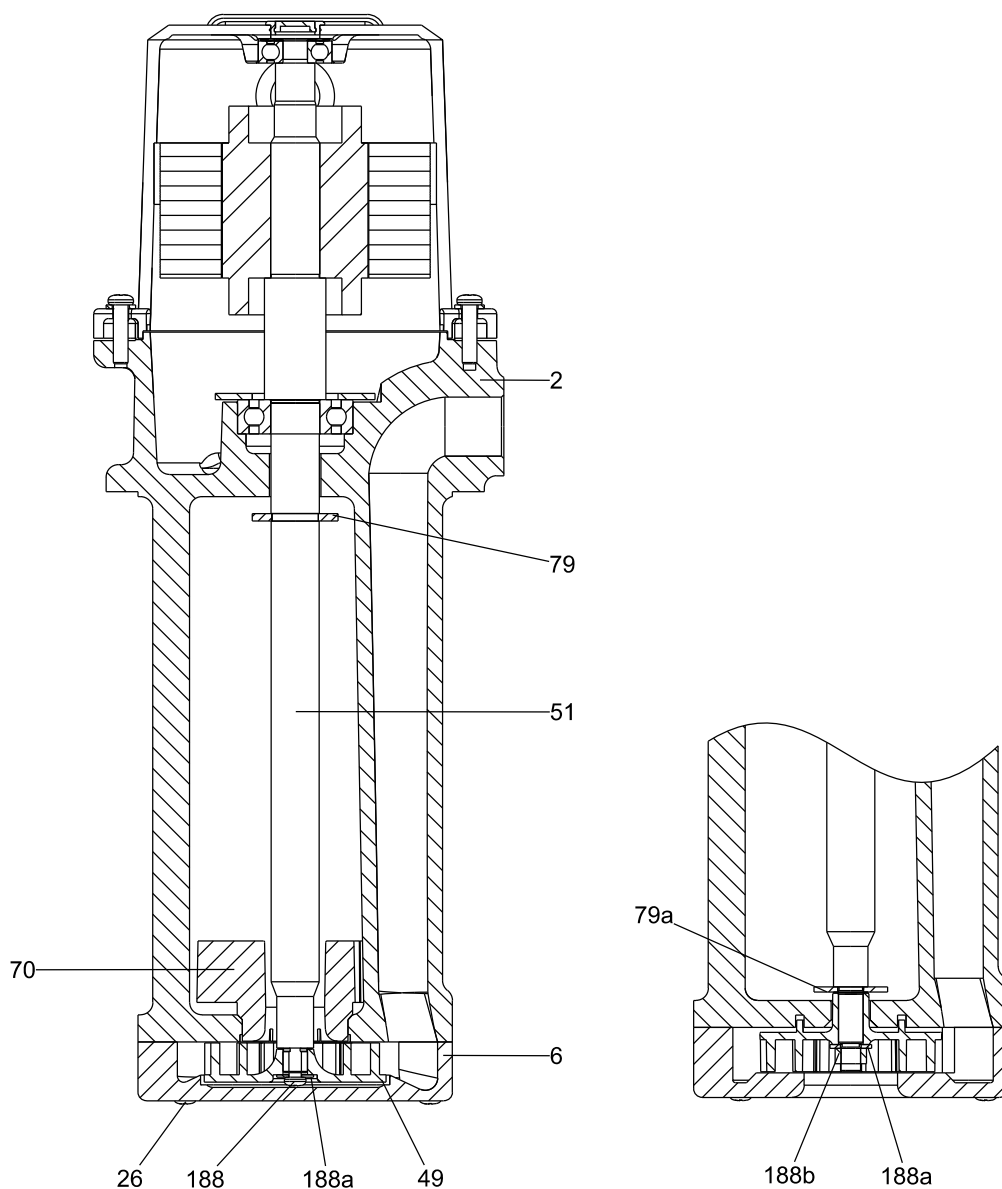
MTH 2, 4, 8**Sectional drawing**

TM06 2773 4614

Fig. 25 MTH 2, 4, 8**Material specification**

Pos.	Description	Materials	EN/DIN	AISI/ASTM
2	Pump head	A-version: cast iron	EN-GJL-200	ASTM 25B
		I-version: stainless steel	1.4408	AISI 316LN
4	Chamber	I-version: stainless steel	1.4301	AISI 304
45	Neck ring	PTFE		
47a	Bearing ring	MTH 2: SiC EkasiC F		
		MTH 4: AL 203-95-100 % (HILOX 961/3)		
		MTH 8: Silicon carbide		
47b	Bearing	MTH 2: SiC EkasiC P		
		MTH 4: Tungsten carbide		
		MTH 8: Silicon carbide		
49	Impeller	Stainless steel	1.4301	AISI 304
51	Pump shaft	Stainless steel	1.4057	AISI 431
84	Suction strainer	Stainless steel	1.4301	AISI 304
85	Strainer, internal	Stainless steel	1.4301	AISI 304
105	Shaft seal	AQQV		
122	Priming screw	Stainless steel	1.4301	AISI 304

MTA 30, 60, 90, 20H, 40H, 70H



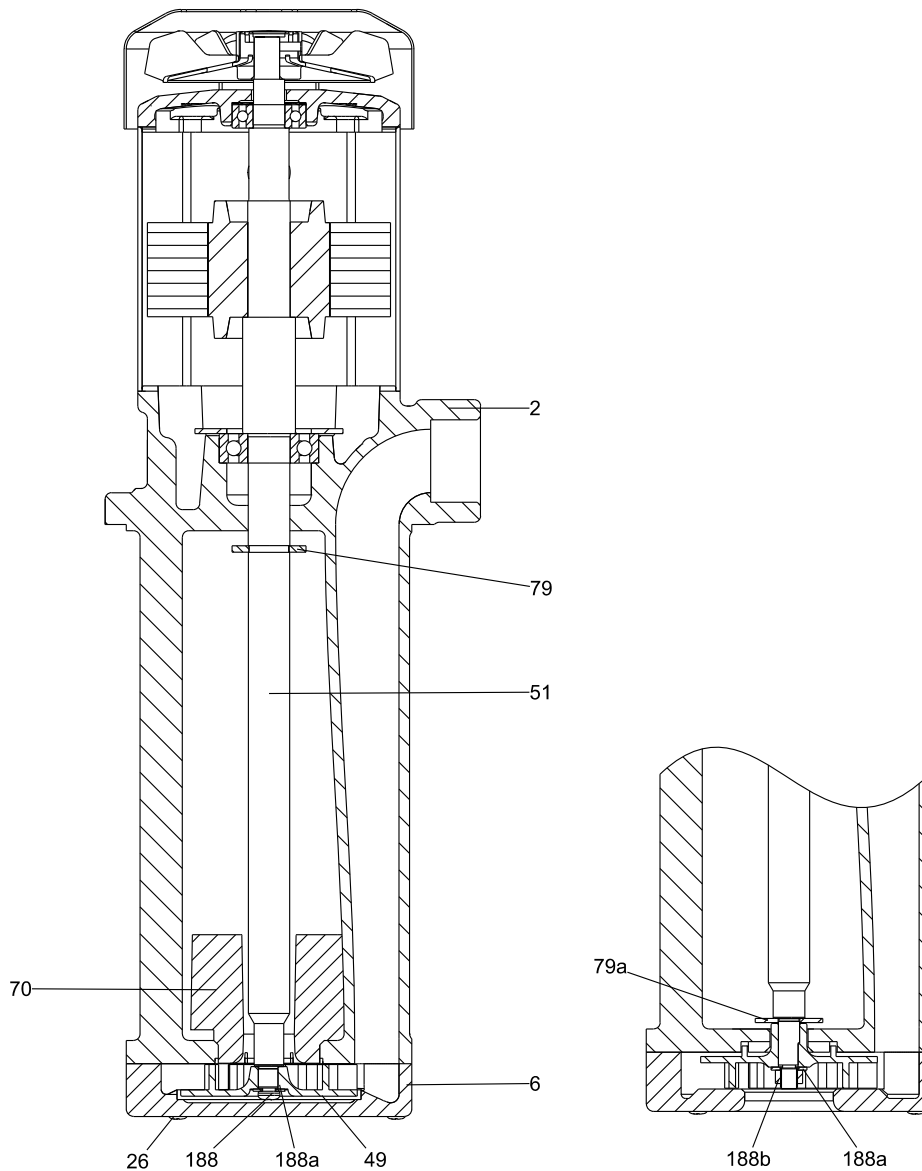
TM05 0894 2111

Pos.	Description	Materials	EN/DIN	AISI/ASTM	JIS
2	Pump head	Cast iron	GG20	A48-CL30	FC200
6	Pump housing	Cast iron	GG20	A48-CL30	FC200
26	Screw	Stainless steel	1.4301	A276-304	SUS304
49	Impeller	MTA 30, 60, 90, 70H*	PAA GF50		
		MTA 20H, 40H, 70H**	G-CuZn-5ZnPb	C92200	BC7
51	Shaft with rotor	Steel	C45	A108-1045	S45C
70	Vortex preventer	PP			
79	Thrower	NBR			
79a	Splash ring	Steel	1623 ST 12	A366	SPCC
188	Cross-head screw	Stainless steel	1.4301	A276-304	SUS304
188a	Washer	Stainless steel	1.4301	A276-304	SUS304
188b	Hexagon nut	Stainless steel	1.4301	A276-304	SUS304
	Terminal box	Aluminium			

* MTA 70H, bottom suction.

** MTA 70H, top suction.

MTA 120, 200, 100H



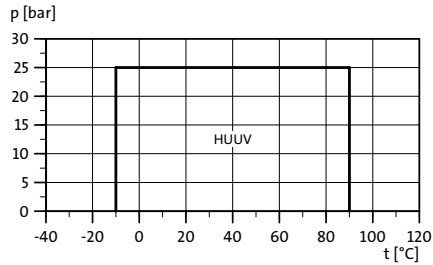
TM05 0895 2111

Pos.	Description	Materials	EN/DIN	AISI/ASTM	JIS
2	Pump head	Cast iron	GG20	A48-CL30	FC200
6	Pump housing	Cast iron	GG20	A48-CL30	FC200
26	Screw	Stainless steel	1.4301	A276-304	SUS304
49	Impeller	Bronze casting	G-CuZn-5ZnPb	C92200	BC7
	MTA 120	PAA GF 50			
51	Shaft with rotor	Steel	C45	A108-1045	S45C
70	Vortex preventer	PP			
79	Thrower	NBR			
79a	Splash ring	Steel	1623 ST 12	A366	SPCC
188	Cross-head screw	Stainless steel	1.4301	A276-304	SUS304
188a	Washer	Stainless steel	1.4301	A276-304	SUS304
188b	Hexagon nut	Stainless steel	1.4301	A276-304	SUS304
	Terminal box	Aluminium			

Shaft seals

The operating range of the shaft seal depends on operating pressure, pump type, type of shaft seal and liquid temperature.

Shaft seal, MTR, MTRE

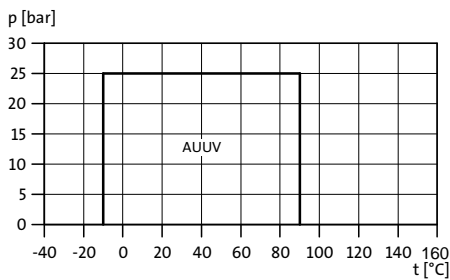


TM02 8798 0904

Shaft seal*	Description	Temperature range [°C]
HUUV	O-ring seal (cartridge type), balanced, tungsten carbide/tungsten carbide, FKM	-10 - 90

* Other shaft seals on request

Shaft seal, SPK

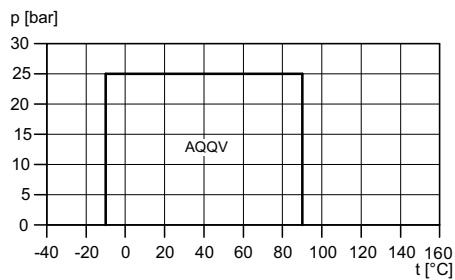


TM03 0023 4604

Shaft seal*	Description	Temperature range [°C]
AUUV	O-ring seal with fixed seal driver, tungsten carbide/tungsten carbide, FKM	-10 - 90

* Other shaft seals on request

Shaft seal, MTH



TM05 8897 3213

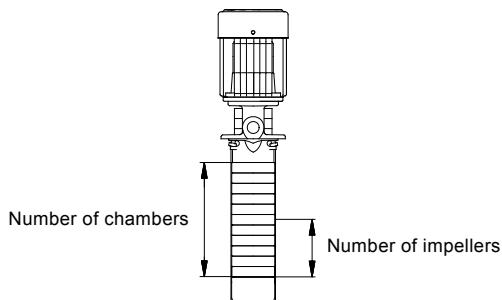
Shaft seal*	Description	Temperature range [°C]
AQQV	O-ring seal with fixed seal driver, silicon carbide, silicon carbide, FKM	-10 - 90

* Other shaft seals on request

8. Identification

MTR, MTRE type key

Example	MTR	E	32	(s)	-2	/1	-1	-A	-F	-A	-H	UU	V
Pump type													
Pump with integrated frequency control													
Rated flow rate [m ³ /h]													
All impellers with reduced diameter (only MTR 1s)													
Number of chambers, see fig. 26													
Number of impellers, see fig. 26													
Number of impellers with reduced diameter													
Pump version													
A Basic version													
B Oversize motor													
C Suction pipe													
D Drainage back to tank													
E Pump with certificate/approval													
F 120 °C version													
H Horizontal version													
HS High pressure													
J Pump with different maximum speed													
P Undersize motor													
T Double oversize													
X Special version													
Pipe connection													
F DIN flange													
G ANSI flange													
J JIS flange													
M Square flange with internal thread													
W Internal thread													
WB NPT internal thread													
X Special version													
Materials													
A Basic version													
I Wetted parts EN/DIN 1.4301/AISI 304													
N Wetted parts EN/DIN 1.4401/AISI 316													
X Special version													
Shaft seal													
A O-ring seal with fixed seal driver													
H Balanced cartridge seal													
Q Silicon carbide													
U Tungsten carbide													
B Carbon													
E EPDM													
F FXM													
K FFKM													
V FKM													

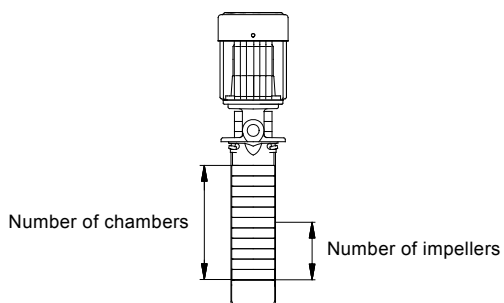


TM01 4993 1399

Fig. 26 MTR pump

SPK type key

Example	SPK	E	2	-15	/8	A	-W	-A	A	UU	V
Pump type											
Pump with integrated frequency control											
Rated flow rate [m ³ /h]											
Number of chambers, see fig. 27											
Number of impellers, see fig. 27											
Pump version											
A Basic version											
B Oversize motor											
C Suction pipe											
E Pump with certificate/approval											
F 120 °C version											
H Horizontal version											
L With extension pipe											
P Undersize motor											
T Double oversize											
X Special version											
Pipe connection											
M Square flange with internal thread											
W Internal thread											
WB NPT internal thread											
Materials											
A Basic version											
I Pump head of stainless steel											
Shaft seal											
A O-ring seal with fixed seal driver											
B Bellows seal, rubber											
C O-ring seal with spring as seal driver											
R O-ring seal, type A, with reduced seal faces											
A Carbon metal-impregnated											
B Carbon resin-impregnated											
Q Silicon carbide											
U Tungsten carbide											
V Metal oxides, ceramic											
E EPDM											
K FFKM											
P NBR											
V FKM											



TM01 4993 1399

Fig. 27 SPK pump

MTH type key

Example	MTH	2	-6	/3	-A	-W	-A	-A	UU	V
Pump type										
Rated flow rate [m ³ /h]										
Number of chambers, see fig. 28										
Number of impellers, see fig. 28										
Pump version										
A Basic version										
C Suction pipe										
X Special version										
Pipe connection										
W Internal thread										
WB NPT internal thread										
Materials										
A Basic version										
I Pump head of stainless steel										
Shaft seal										
A O-ring seal with fixed seal driver										
B Bellows seal, rubber										
C O-ring seal with spring as seal driver										
R O-ring seal, type A, with reduced seal faces										
A Carbon, metal-impregnated										
B Carbon, resin-impregnated										
Q Silicon carbide										
U Tungsten carbide										
V Metal oxides, ceramic										
E EPDM										
V FKM										

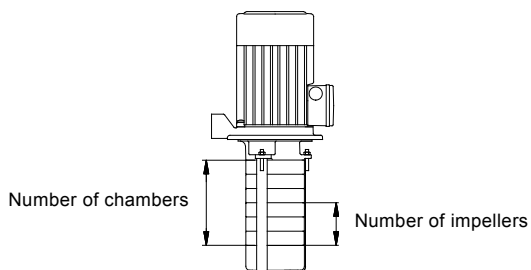


Fig. 28 MTH pump

TM01 4992 1299

MTA type key

Example	MTA	30	H	-150	-A	-W	-A	-T
Pump type								
Pump size								
Pressure type								
Installation length [mm]								
Pump version								
A = standard version								
Thread type								
W = internal thread								
WB = internal NPT thread								
Impeller material								
A = PAA GF50								
B = bronze								
Suction								
T = top								
B = bottom								

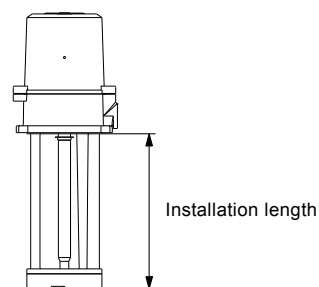


Fig. 29 MTA pump

TM05 1021 2011

9. Installation

Installation of MTR, MTRE pumps

MTR, MTRE 1s, 1, 3, 5, 10, 15 and 20 pumps can be installed both vertically and horizontally.

MTR, MTRE 32, 45, 64 pumps must be installed in a vertical position.

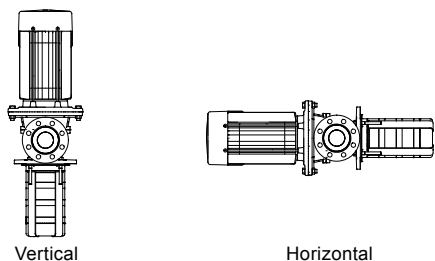


Fig. 30 Installation of a MTR, MTRE pump

TM01 4990 1399

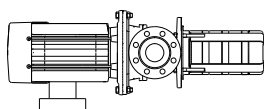


Fig. 31 On horizontally installed MTR, MTRE pumps with motors from 5.5 kW and up, the motors have feet and must be supported

TM04 5755 3809

The pumps are designed to provide full performance down to a level of A mm above the bottom of the suction strainer.

At a liquid level between A and B mm above the bottom of the suction strainer, the built-in priming screw will protect the pump against dry running.

Note: MTR, MTRE 32, 45 and 64 pumps have no priming screw.

Pump type	A [mm]	B [mm]
MTR, MTRE 1s, 1, 3, 5	41	28
MTR, MTRE 10, 15, 20	50	25
MTR, MTRE 32, 45, 64	70	-

The distance between the pump and the tank bottom must be minimum 25 mm.

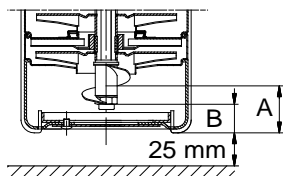


Fig. 32 MTR, MTRE 1s, 1, 3 and 5

TM05 9086 3213

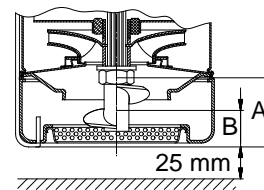


Fig. 33 MTR, MTRE 10, 15 and 20

TM05 9087 3213

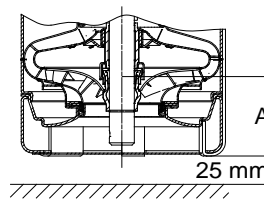


Fig. 34 MTR, MTRE 32, 45 and 64

TM05 9085 3213

Installation of SPK pumps

SPK pumps can be installed both vertically and horizontally. If the SPK pump is installed horizontally, the drain hole in the pump head must be closed.

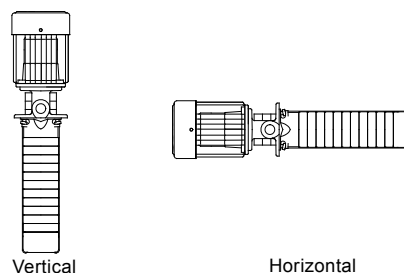


Fig. 35 Installation of a SPK pump

TM00 1922 3297

To enable a very low liquid level of 40 mm above the bottom of the suction strainer, a priming screw is fitted below the bottom chamber.

This protects the pump against dry running down to 25 mm above the bottom of the suction strainer.

The distance between pump and tank bottom must be minimum 25 mm.

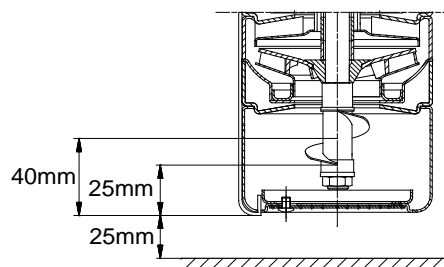


Fig. 36 SPK

TM01 1204 4899

Installation of MTH pumps

MTH pumps must be installed vertically.

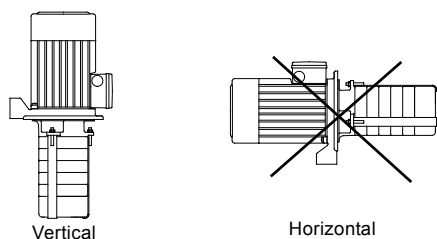


Fig. 37 Installation of an MTH pump

To enable a low liquid level of 40 mm above the bottom of the suction strainer, a priming screw is fitted below the bottom chamber. This protects the pump against dry running down to 25 mm above the bottom of the suction strainer.

The distance between pump and tank bottom must be minimum 25 mm.

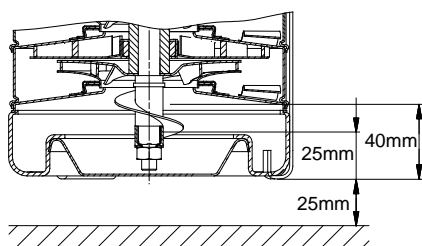


Fig. 38 Minimum distance between pump and tank

Installation of MTA pumps

MTA pumps are designed for vertical mounting in a tank.

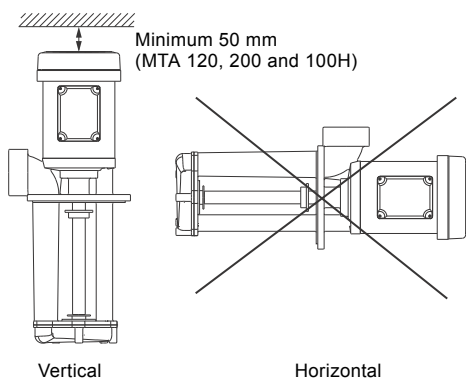


Fig. 39 Mounting position

Provide a clearance of minimum 50 mm above the motor to ensure cooling of fan-cooled motors (MTA 120, 200 and 100H).

The pump is designed for indoor operation only.

Note: The motor must not be exposed to direct water/liquid sprays.

Liquid level

MTA with top suction

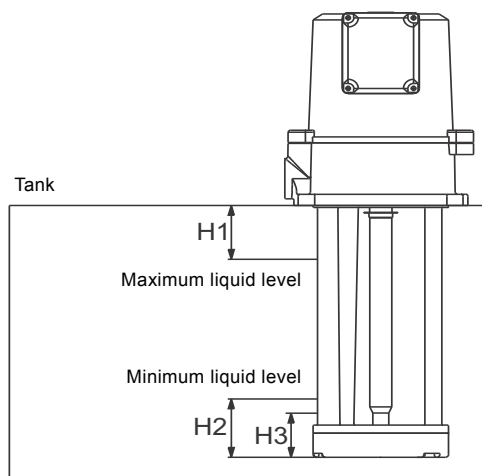


Fig. 40 MTA with top suction

Pump	H1 [mm]	H2* [mm]	H3** [mm]
MTA 30	15	60	50
MTA 60	20	70	45
MTA 90	20	85	58
MTA 120	20	110	70
MTA 20H	15	50	40
MTA 40H	20	70	40
MTA 70H	20	80	50
MTA 100H	20	110	60

* Minimum liquid level (full performance).
** Minimum permissible liquid level (reduced performance).

MTA with bottom suction

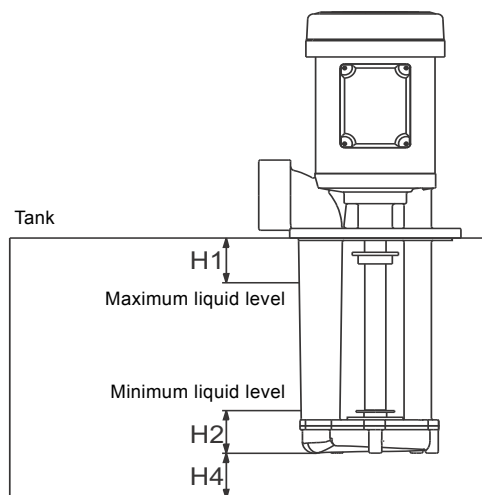


Fig. 41 MTA with bottom suction

Pump	H1 [mm]	H2* [mm]	H4 [mm]
MTA 30	15	20	10
MTA 60	20	20	10
MTA 90	20	25	15
MTA 120	20	25	20
MTA 200	25	50	30

* Minimum liquid level (full performance).

Electrical installation

MTR, SPK and MTH pumps can be fitted with a 10-pin multiplug connection, type Han® 10 ES.

The purpose of a multiplug connection is to make the electrical installation and the service of the pump easier. The multiplug functions as a plug-and-pump device.

The following drawings show where the multiplug is positioned on the motor.

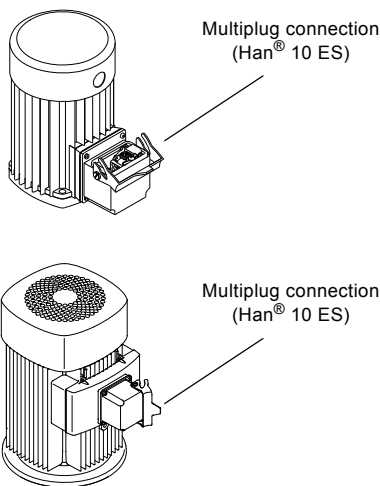


Fig. 42 Multiplug on a Grundfos MG motor

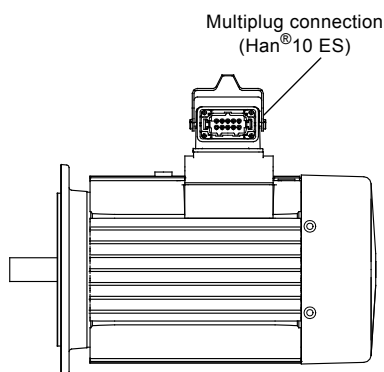


Fig. 43 Multiplug type Han® 10 ES

On request, the following motors can be supplied with a multiplug connection (type Han® 10 ES):

- motors for MTR/SPK up to 7.5 kW
- all MTH motors.

Technical data for multiplug

Material description

Material	Description
Material	GD-Al Si 8 Cu 3
Surface	Powder paint
Clip for locking	Stainless steel
Housing gasket	NBR rubber
Temperature range [°C]	-40 - 125
Enclosure class	IP65 at DIN 40050 in closed position
Type	Han® 10E

Dimensions

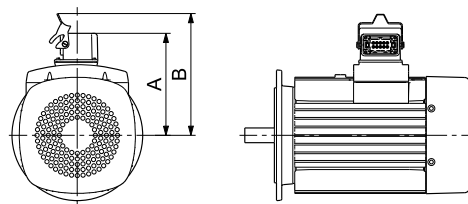


Fig. 44 Motor with multiplug

Motor	Frame size	A [mm]	B [mm]
MG	71	131	162
MG	80	131	162
MG	90	173	204
MG	100	183	214
MG	112	197	228
MG (5.5 kW)	132	197	228
MG (7.5 kW)	132	222	253

Plug connections

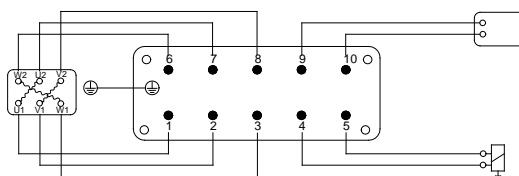


Fig. 45 From motor

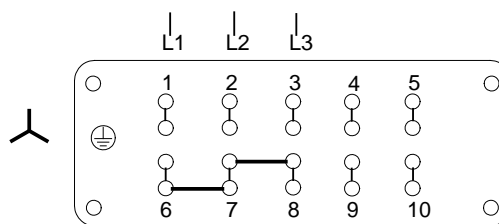


Fig. 46 Plug connections for star connection

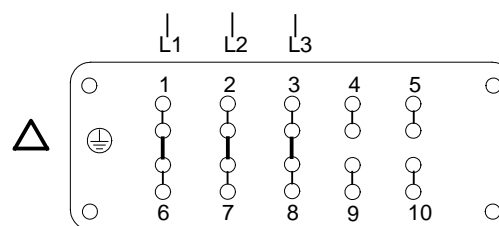


Fig. 47 Plug connections for delta connection. Fishplates for connections are located in the plug

10. Selection and sizing

Selection of pumps

Selection of pumps must be based on the following parameters:

- the duty point of the pump
- dimensional data such as pressure loss as a result of height differences, friction loss in the pipework, pump efficiency etc.
- minimum inlet pressure - NPSH.

Duty point of the pump

From a duty point you can select a pump on the basis of the curve charts shown in the chapter of [Performance curves and technical data](#) starting on page 51.

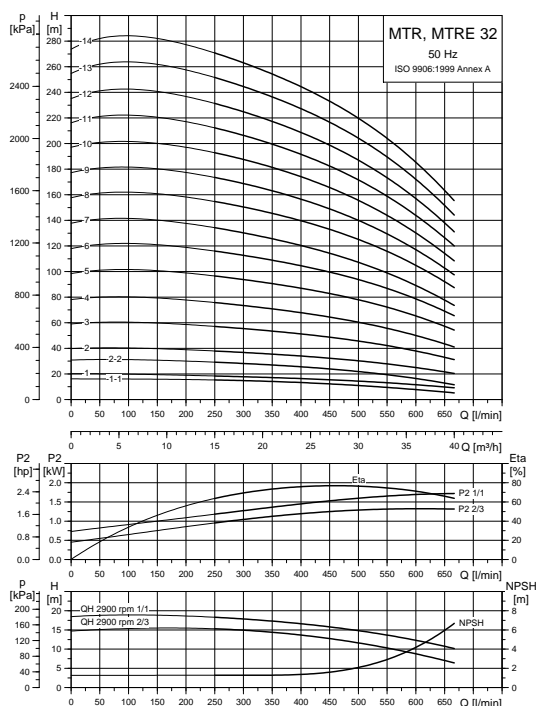


Fig. 48 Example of a curve chart

TM01 4302 0404

Dimensional data

When sizing a pump the following aspects must be taken into account:

- required flow rate and pressure at the draw-off point
- pressure loss as a result of height differences (H_{geo})
- friction loss in the pipework (H_f).
It may be necessary to account for pressure loss in connection with long pipes, bends or valves, etc.
- best efficiency at the estimated duty point
- NPSH value

For calculation of the NPSH value, see "Minimum inlet pressure - NPSH" on page 50.

Efficiency

Before determining the point of best efficiency, you need to identify the operating pattern of the pump.

Is the pump expected always to operate in the same duty point, select an MTR, MTH, MTA pump which is operating at a duty point corresponding to the best efficiency of the pump.

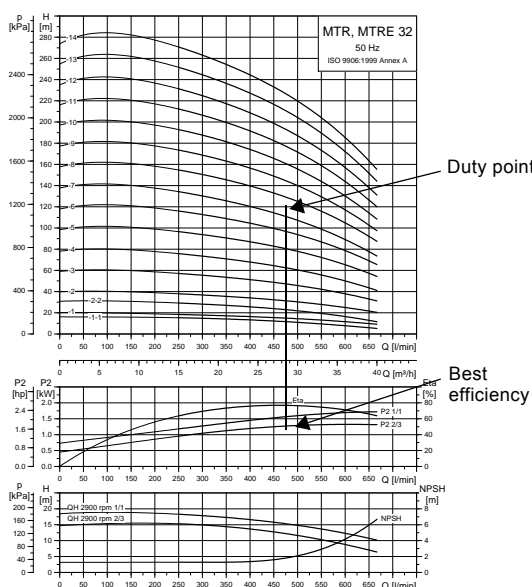


Fig. 49 Example of an MTR pump's duty point

TM01 4302 0404

As the pump is sized on the basis of the highest possible flow rate, it is important always to have the duty point to the right on the efficiency curve (eta) in order to keep efficiency high when the flow rate drops.

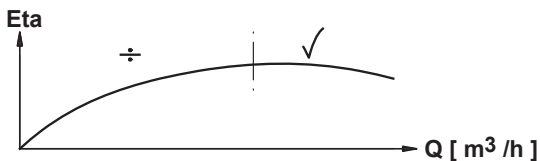


Fig. 50 Best efficiency5

TM00 9190 1705

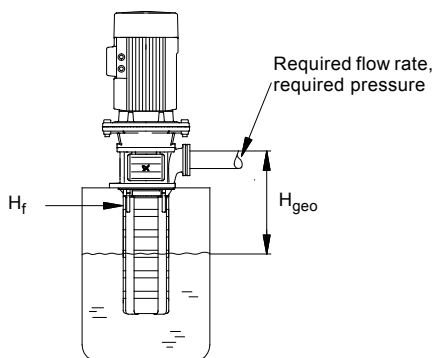


Fig. 51 Dimensional data

TM02 7531 3703

Normally, MTRE pumps are used in applications characterized by a variable flow rate. Consequently, you cannot select a pump that is operating constantly at optimum efficiency. In order to achieve optimum operating economy, you must select the pump on the basis of the following criteria:

- The maximum duty point must be as close as possible to the QH curve of the pump.
- The required duty point must be positioned so that P2 is close to the maximum point of the QH curve.

Between the minimum and maximum performance curves, MTRE pumps have an infinite number of performance curves each representing a specific speed. Therefore, you may not be able to select a duty point close to the maximum curve.

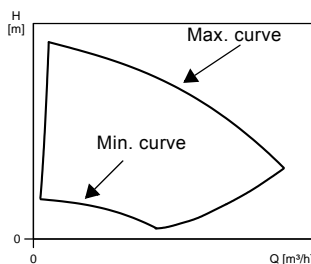


Fig. 52 Minimum and maximum performance curves

TM01 4916 0199

In situations where you cannot select a duty point close to the maximum curve, you can use the affinity equations below. The head (H), the flow rate (Q) and the input power (P) are all the appropriate variables you need to be able to calculate the motor speed (n).

Note:

The approximated formulas apply on condition that the system characteristic remains unchanged for n_n and n_x and that it is based on the formula H = k x Q² where k is a constant.

The power equation implies that the pump efficiency is unchanged at the two speeds. In practice this is not quite correct.

Finally, it is worth noting that the efficiencies of the frequency converter and the motor must be taken into account if you want a precise calculation of the power saving resulting from a reduction of the pump speed.

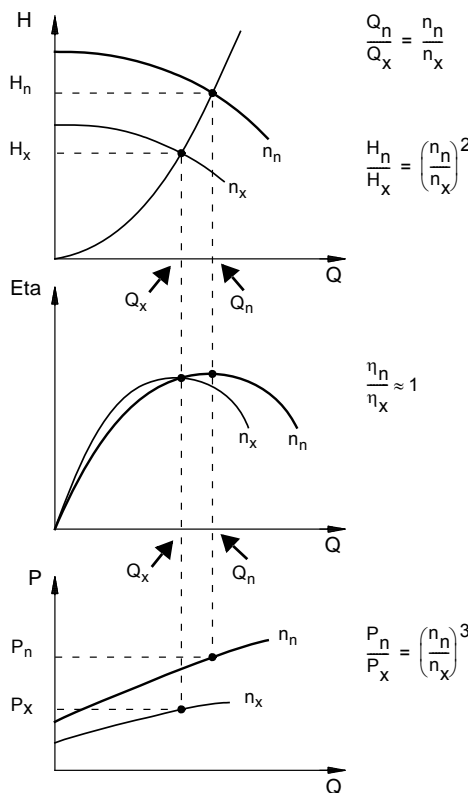


Fig. 53 Affinity equations

TM00 8720 3496

Legend

- H_n Rated head [m]
- H_x Current head [m]
- Q_n Flow rate [m³/h]
- Q_x Current flow rate [m³/h]
- n_n Rated motor speed [min⁻¹]
- n_x Current motor speed [min⁻¹]
- η_n Rated efficiency [%]
- η_x Current efficiency [%]

Grundfos Product Center

The Grundfos Product Center is an online product selection and sizing tool which you can use to calculate the specific duty point and energy consumption of the pump.

For further information see page 167.

Pressure loss

During operation pressure losses occur in all centrifugal pumps.

The below curves illustrate the pressure losses for pumped liquid passing through one empty chamber. An empty chamber is a chamber without an impeller.

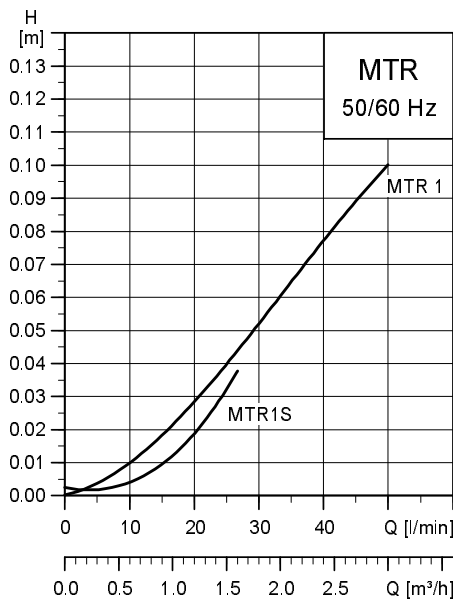


Fig. 54 Pressure losses of pumped liquid passing through an empty chamber for MTR 1s and MTR 1 pumps

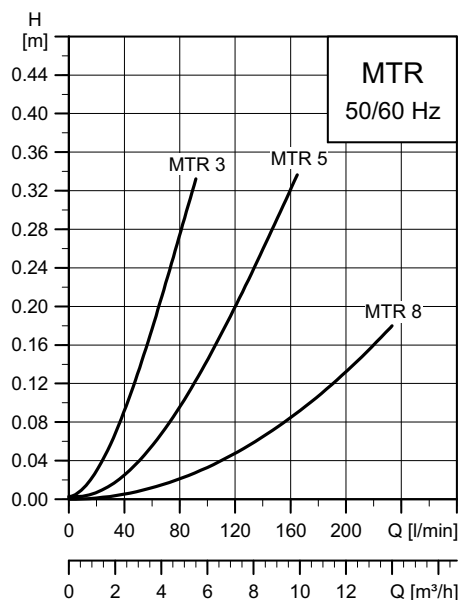


Fig. 55 Pressure losses of pumped liquid passing through an empty chamber for MTR 3, MTR 5 and MTR 8 pumps

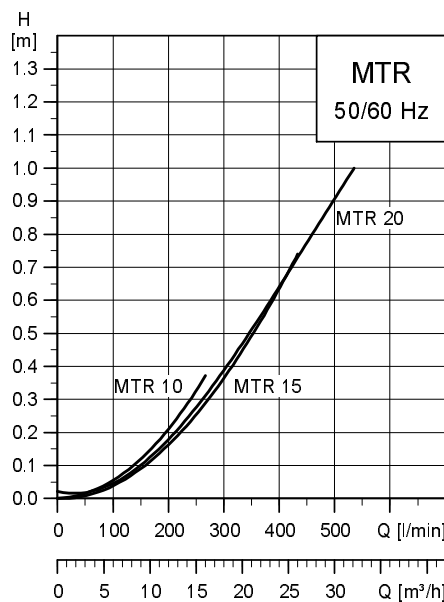


Fig. 56 Pressure losses of pumped liquid passing through an empty chamber for MTR 10, MTR 15 and MTR 20 pumps

As MTR, MTRE 32, 45 and 64 pumps have holes in the guide vanes, no pressure losses occur in the empty chambers of these pumps.

Calculation of the reduced head of a pump with empty chambers

Calculation of pressure loss in empty chambers

From the above curves and the curve charts of each pump type starting on page 46, you can calculate the reduced head of a pump with empty chambers.

You can do the calculation as shown below.

Example:

Pump type	MTR 5-18/7
Flow rate Q (duty point)	6 [m ³ /h]
Head (duty point)	90 [m]

The selected pump is an MTR 5-18/18 with 11 empty chambers, see type keys on page 40.

From the above pressure loss curve of MTR 5, it appears that the pressure loss of each empty chamber at 6 m³/h is 0.14 [m]. This results in a total pressure loss of:

$$(Total\ pressure\ loss) = 0.14 \times 11 = 1.54 [m]$$

The reduced head of the MTR 5-18/7 pump including pressure losses caused by empty chambers is:

$$Head = 33 - 1.54 = 31.46 [m]$$

The head 33 metres is read from the performance curve for an MTR 5-18/7, see page 58.

Viscosity

Pump	Maximum kinematic viscosity of pumped liquid [cSt] = [mm ² /s]
MTR 1s, 1, 3, 5, 8	50
MTR 10, 15, 20, 32, 45, 64	100
SPK	50
MTH	50
MTA	75

The pumping of liquids with densities or kinematic viscosities higher than those of water will cause a considerable pressure drop, a drop in the hydraulic performance and a rise in the power consumption.

In such situations you must equip the pump with a larger motor. If in doubt, contact Grundfos.

The following examples show the drop in the hydraulic performance of MTR, MTRE pumps pumping oil with a density of 872 kg/m³ but with three different kinematic viscosities.

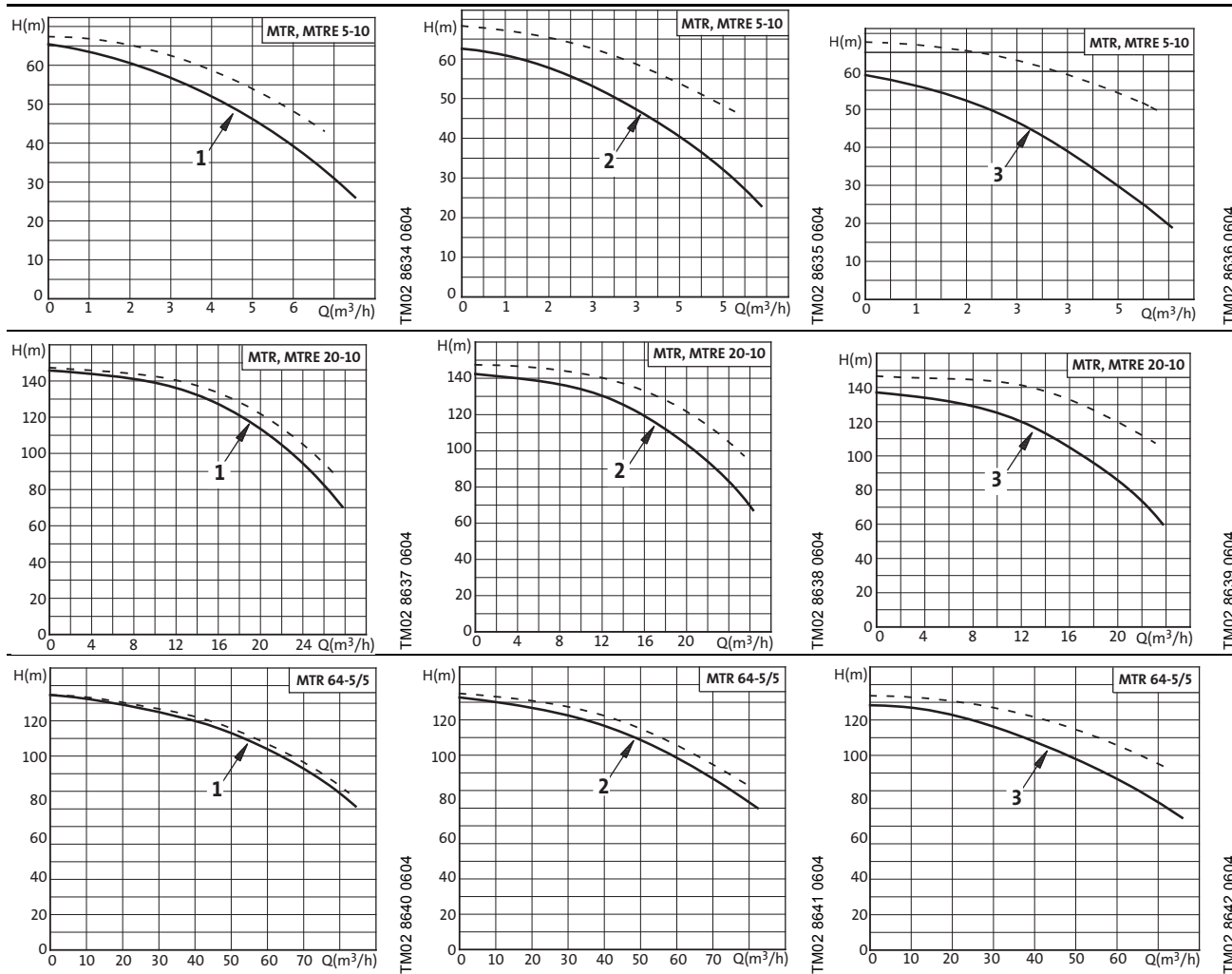


Fig. 57 Drop in the hydraulic performance of MTR, MTRE pumps pumping oil with three different kinematic viscosities

Key

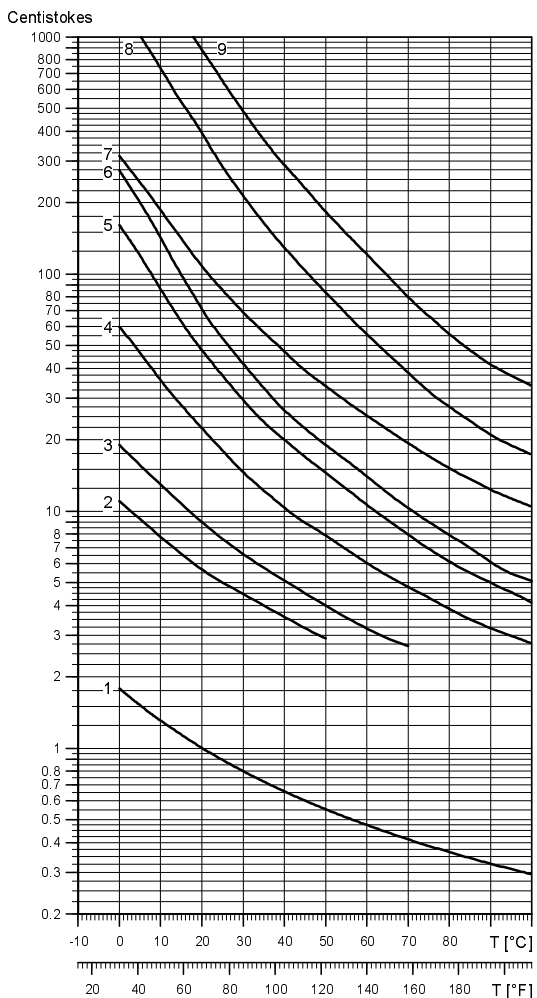
Position	Density [kg/m ³]	Kinematic viscosity [cSt] = [mm ² /s]
1	872	16
2	872	32
3	872	75

For further information about pump performance when pumping liquids with densities or kinematic viscosities higher than those of water, see the Grundfos Product Center (<http://product-selection.grundfos.com/>). The Grundfos Product Center is an online product selection and sizing tool.

For further information see page 167.

Kinematic viscosity of different oils

The curves below show the kinematic viscosity of different oils in relation to oil temperature.



TM04 5701 3809

Fig. 58 Kinematic viscosity of different oils in relation to oil temperature

Key to kinematic viscosities of different oils

Curve number	Liquid
1	Water
2	Honing oil
3	Grinding oil
4	Hydraulic oil (ISO VG10)
5	Thermal oil
6	Cutting oil
7	Hydraulic oil (ISO VG46)
8	Motor oil (20W-50)
9	Gear oil

Minimum inlet pressure - NPSH

We recommend that you calculate the inlet pressure "H" when the following aspects apply:

- The liquid temperature is high.
- The flow is significantly higher than the flow rate.
- Water is drawn from depths.
- Water is drawn through long pipes.
- Inlet conditions are poor.

To avoid cavitation, make sure that there is a minimum pressure on the inlet side of the pump. You can calculate the maximum suction lift "H" in metres head as follows:

$$H = NPSH + H_v + H_s - p_b \times 10.2$$

p_b = Barometric pressure in bar. You can set the barometric pressure can be set to 1 bar. In closed systems, p_b indicates the system pressure in bar.

NPSH = Net Positive Suction Head in metres head. (To be read from the NPSH curve at the highest flow rate the pump will be delivering).

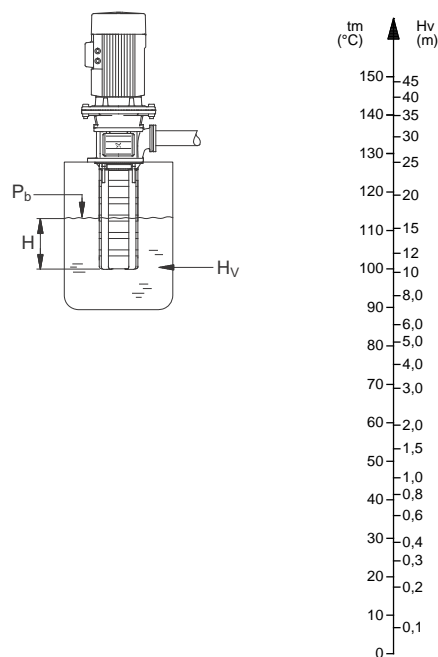
H_v = Vapour pressure in metres head.

H_s = Safety margin = minimum 0.5 metre head.

If the calculated "H" is positive, the value shows how high the liquid level must be as minimum above the suction strainer.

If the "H" calculated is negative, the value shows how deep the pump is able to suck in theory.

Note: However, you have to fulfil the requirements of the minimum liquid level above the suction strainer. See page 43.



TM06 2743 4614 - TM00 3037 0798

Fig. 59 Minimum inlet pressure - NPSH

Note: In order to avoid cavitation, never select a pump whose duty point is too far to the right on the NPSH curve.

Always check the NPSH value of the pump at the highest possible flow rate.

11. Performance curves and technical data

Introduction to performance curves

How to read the curve charts

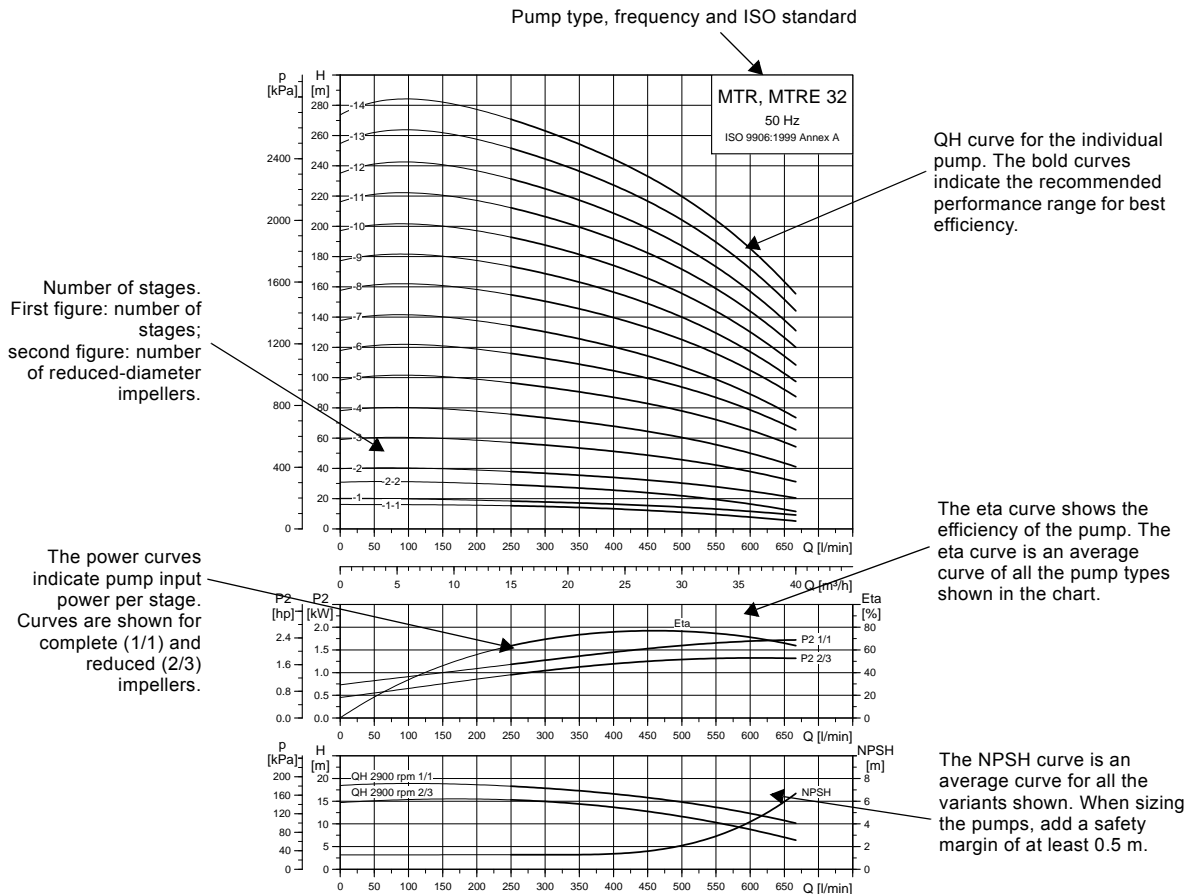


Fig. 60 Example of an MTR, MTRE curve chart

TM01 4302 0404

Guidelines to performance curves

The guidelines below apply to the curves shown on the following pages:

1. Tolerances to ISO 9906, Annex A, if indicated.
2. The motors used for the measurements are standard Grundfos motors (MG or MGE).
3. Measurements have been made with airless water at a temperature of 20 °C.
4. The curves apply to a kinematic viscosity of $\nu = 1 \text{ mm}^2/\text{s}$ (1 cSt).
5. Due to the risk of overheating, the pumps should not be used at a flow below the minimum flow rate.
6. QH curves of the individual pumps are based on current motor speeds.

The curve below shows the minimum flow rate as a percentage of the nominal flow rate in relation to the liquid temperature.

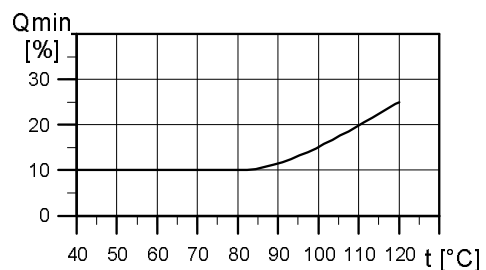
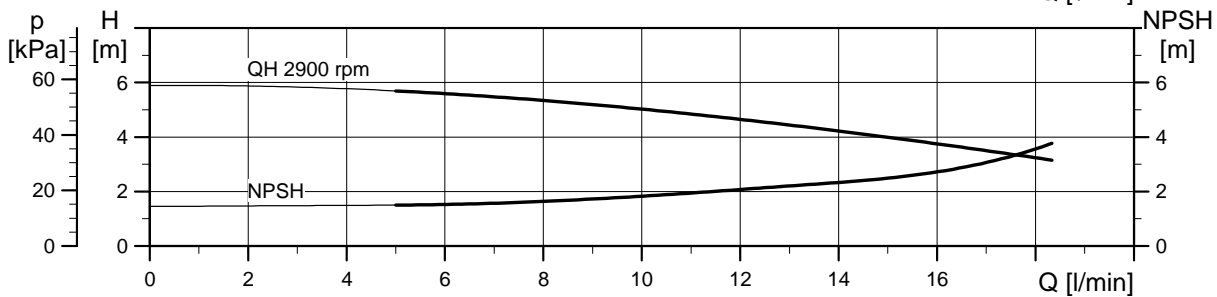
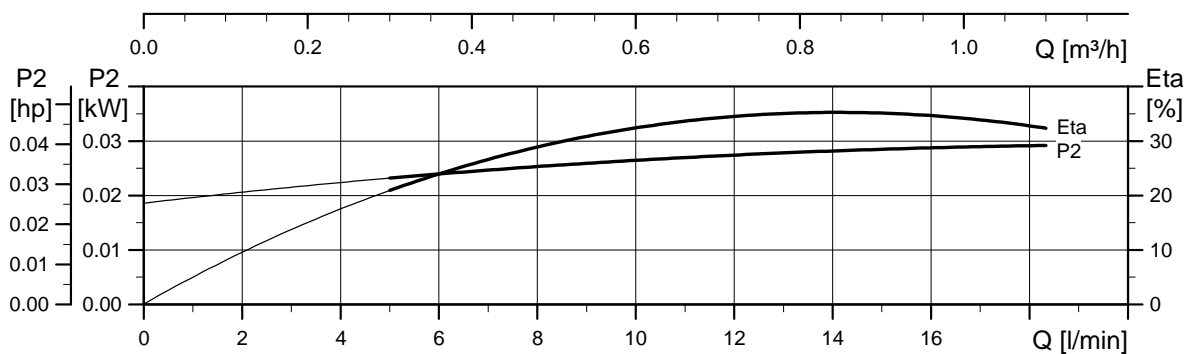
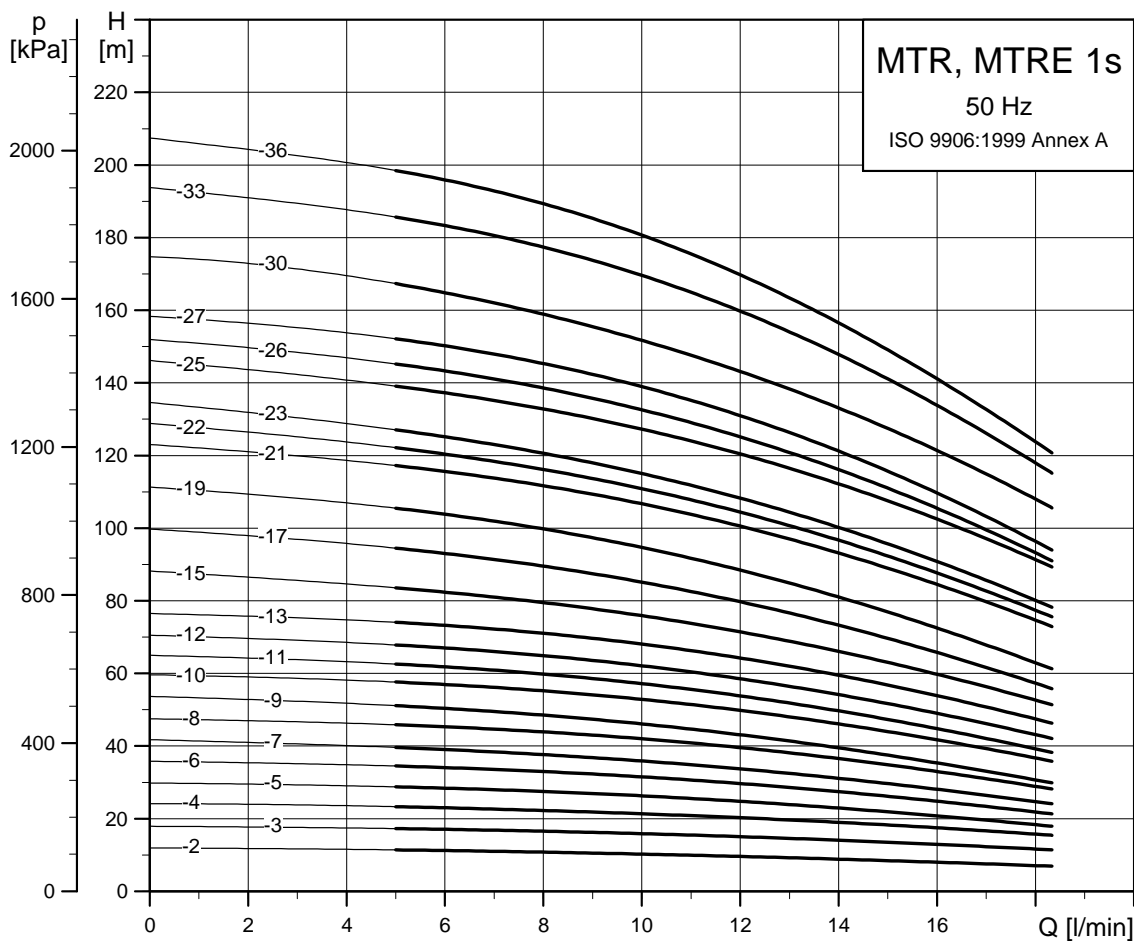


Fig. 61 Minimum flow rate

TM04 5693 3909

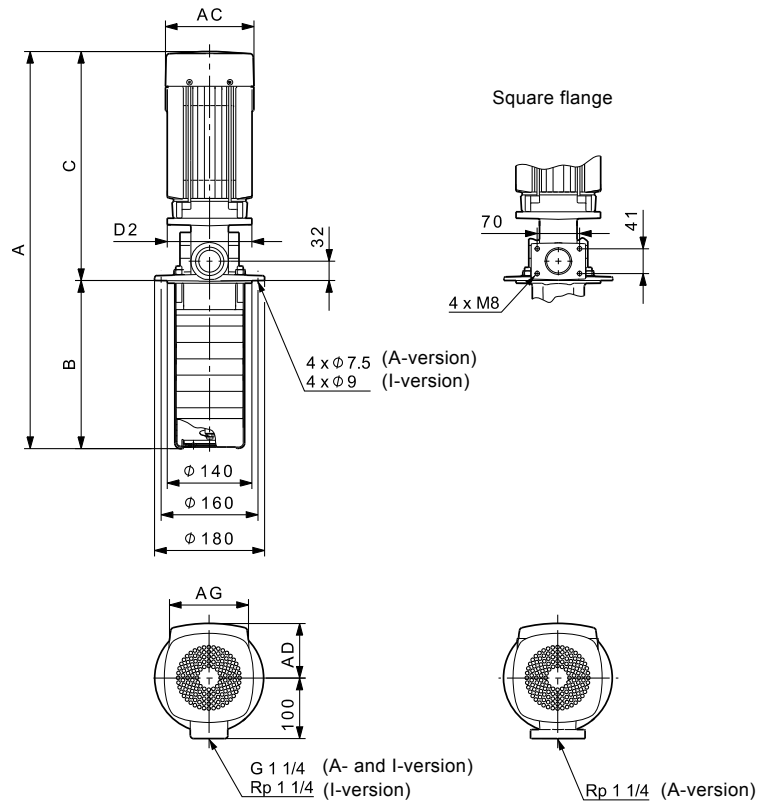
MTR, MTRE, 50 Hz

MTR, MTRE 1s, 50 Hz



TM02 7839 4303

Dimensional sketches



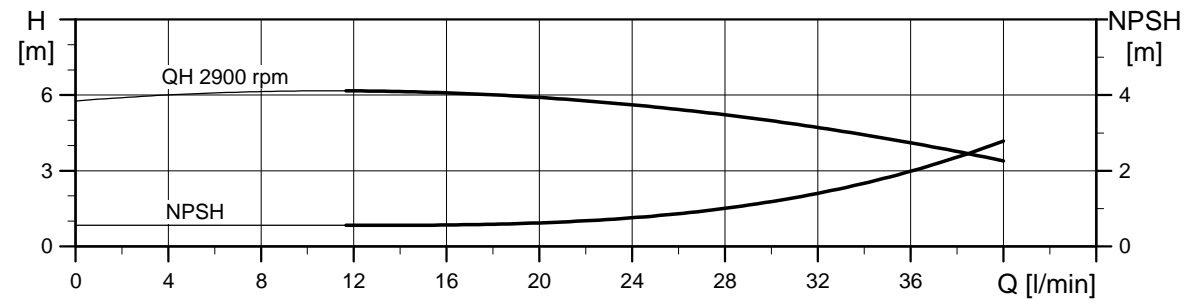
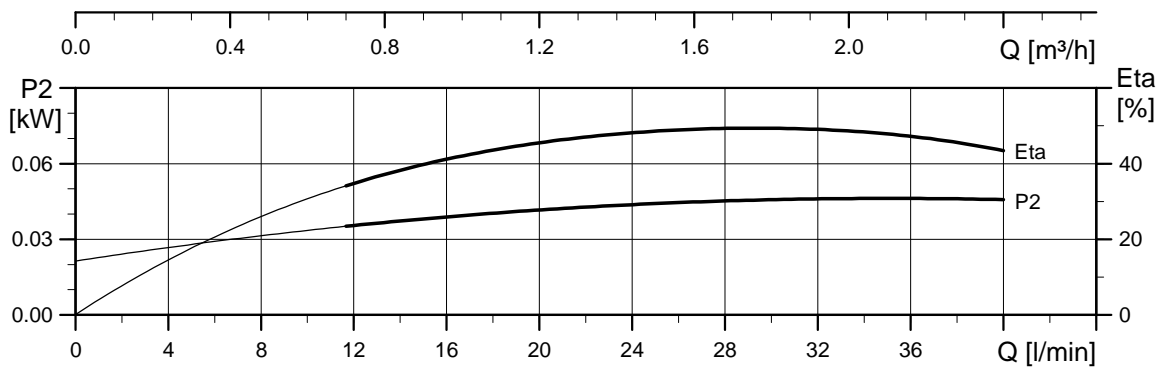
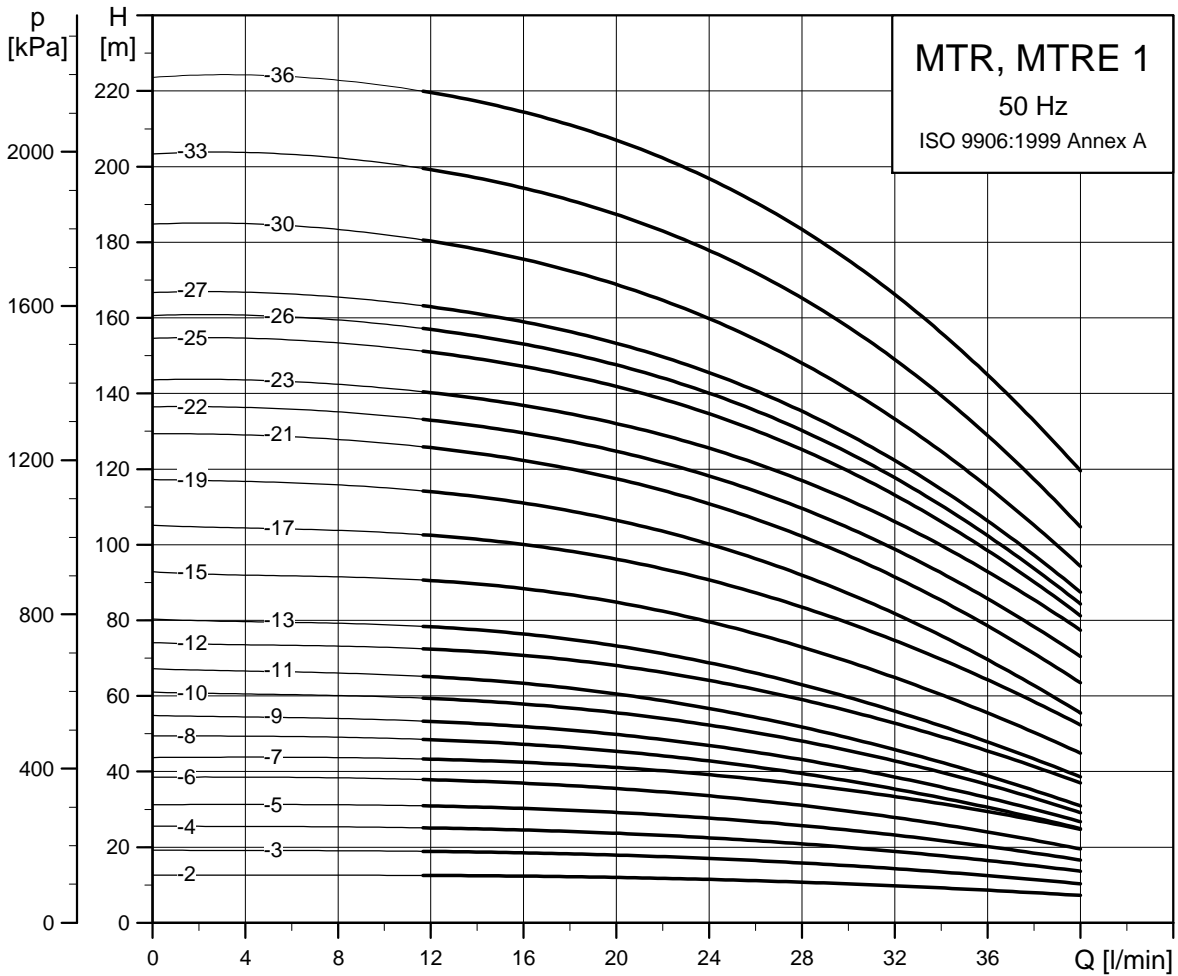
TM03 2677 2413

Dimensions and weights

Pump type	P2 [kW]	MTR								Net weight [kg]	MTRE						Net weight [kg]
		Dimensions [mm]									Dimensions [mm]						
		A	B	C	AC	D2	AD	AG	A		B	C	AC	D2	AD	AG	
MTR 1s-2/2	0.37	462	160	302	141	140	109	82	12.9	-	-	-	-	-	-	-	-
MTR 1s-3/3	0.37	480	178	302	141	140	109	82	13	-	-	-	-	-	-	-	-
MTR 1s-4/4	0.37	498	196	302	141	140	109	82	13	-	-	-	-	-	-	-	-
MTR, MTRE 1s-5/5	0.37	516	214	302	141	140	109	82	13	579	214	365	122	140	158	268	17.4
MTR 1s-6/6	0.37	534	232	302	141	140	109	82	13	-	-	-	-	-	-	-	-
MTR 1s-7/7	0.37	552	250	302	141	140	109	82	13.1	-	-	-	-	-	-	-	-
MTR, MTRE 1s-8/8	0.37	570	268	302	141	140	109	82	13.1	633	268	365	122	140	158	268	17.5
MTR 1s-9/9	0.37	588	286	302	141	140	109	82	13.1	-	-	-	-	-	-	-	-
MTR 1s-10/10	0.37	606	304	302	141	140	109	82	13.1	-	-	-	-	-	-	-	-
MTR 1s-11/11	0.37	624	322	302	141	140	109	82	13.1	-	-	-	-	-	-	-	-
MTR, MTRE 1s-12/12	0.37	642	340	302	141	140	109	82	13.2	705	340	365	122	140	158	268	17.6
MTR 1s-13/13	0.37	660	358	302	141	140	109	82	13.2	-	-	-	-	-	-	-	-
MTR 1s-15/15	0.55	696	394	302	141	140	109	82	12.7	-	-	-	-	-	-	-	-
MTR 1s-17/17	0.55	732	430	302	141	140	109	82	12.7	-	-	-	-	-	-	-	-
MTR, MTRE 1s-19/19	0.55	768	466	302	141	140	109	82	12.8	831	466	365	122	140	158	268	17.7
MTR 1s-21/21	0.75	844	502	342	141	140	109	82	15.1	-	-	-	-	-	-	-	-
MTR 1s-22/22	0.75	862	520	342	141	140	109	82	15.1	-	-	-	-	-	-	-	-
MTR 1s-23/23	0.75	880	538	342	141	140	109	82	15.2	-	-	-	-	-	-	-	-
MTR, MTRE 1s-25/25	0.75	916	574	342	141	140	109	82	15.2	939	574	365	122	140	158	268	18
MTR 1s-26/26	0.75	934	592	342	141	140	109	82	15.2	-	-	-	-	-	-	-	-
MTR 1s-27/27	1.1	972	610	362	141	140	109	82	17.3	-	-	-	-	-	-	-	-
MTR, MTRE 1s-30/30	1.1	1026	664	362	141	140	109	82	17.3	1029	664	365	122	140	158	268	18.9
MTR 1s-33/33	1.1	1080	718	362	141	140	109	82	17.4	-	-	-	-	-	-	-	-
MTR, MTRE 1s-36/36	1.1	1134	772	362	141	140	109	82	17.5	1137	772	365	122	140	158	268	19

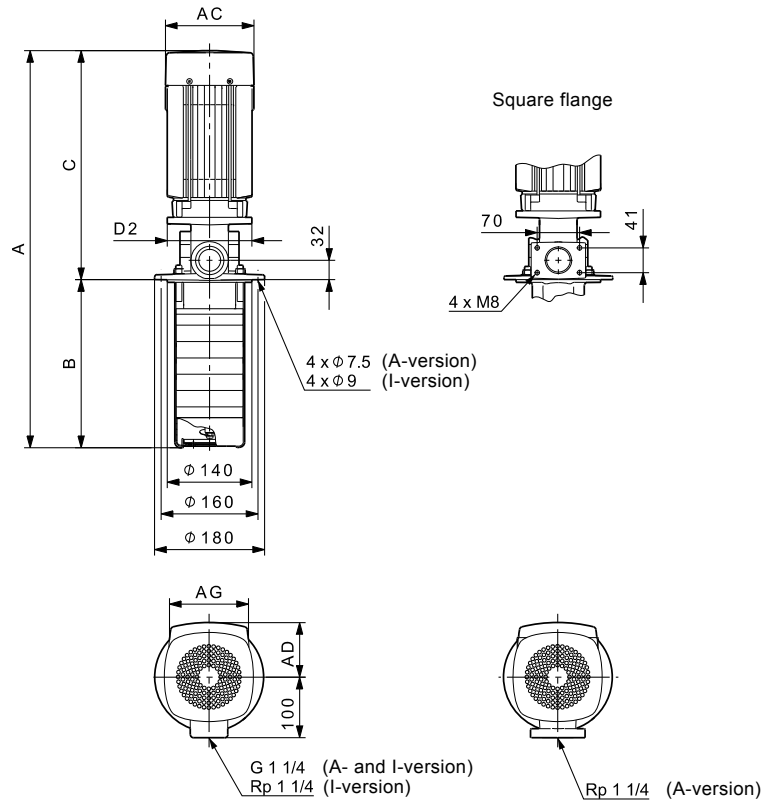
The maximum immersion depth is 1006 mm. See page 164.
 For information about electrical data, see section Motor data on page 150.

MTR, MTRE 1, 50 Hz



TM02 7840 4303

Dimensional sketches



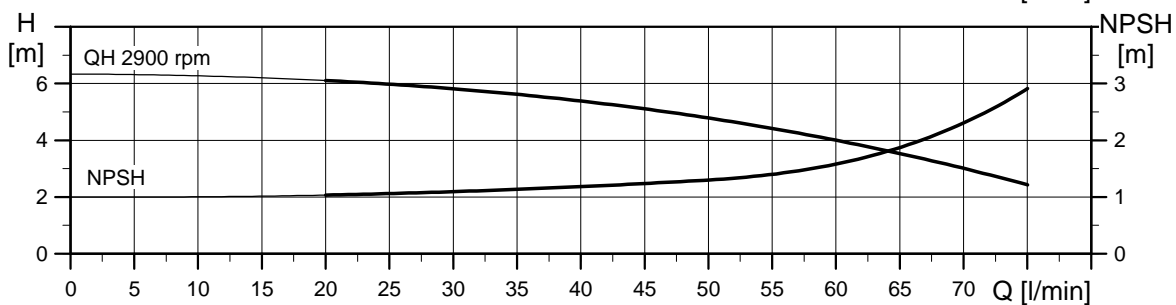
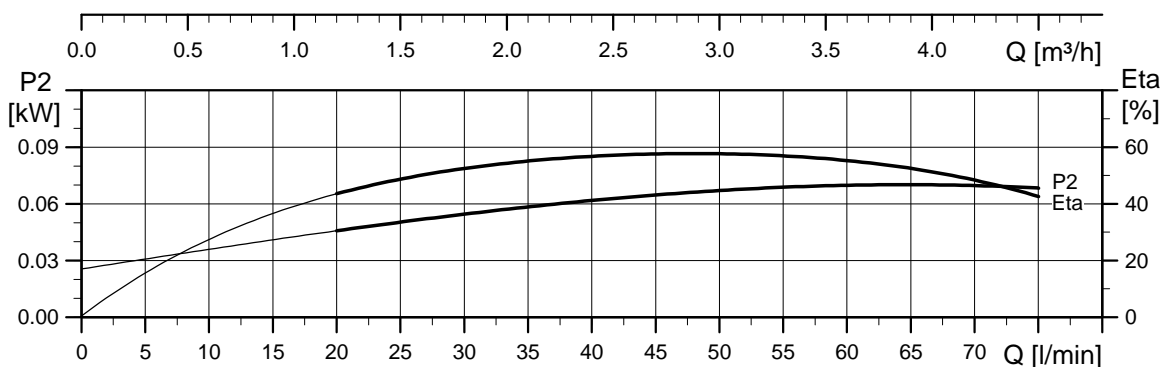
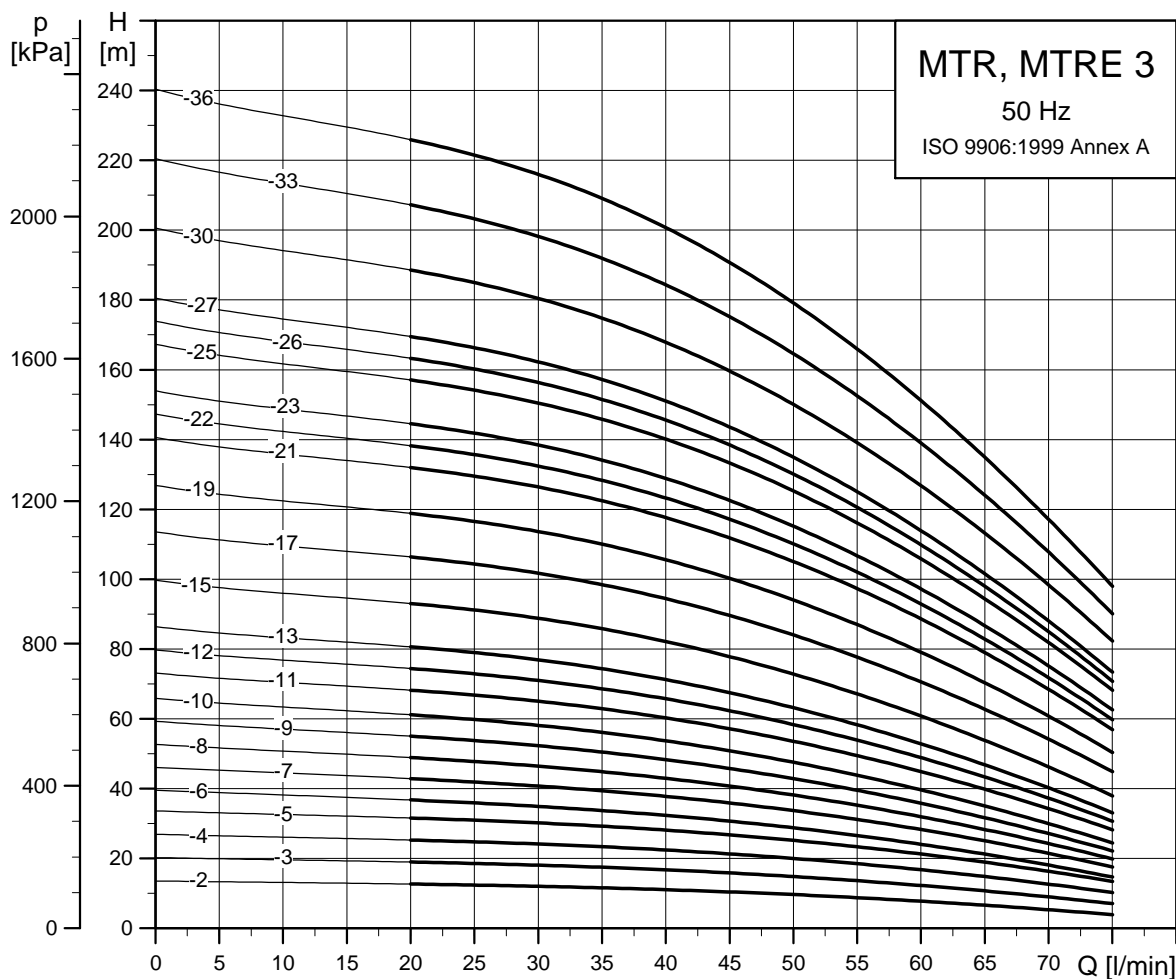
TM03 2677 2413

Dimensions and weights

Pump type	P2 [kW]	MTR								Net weight [kg]	MTRE							
		Dimensions [mm]									Dimensions [mm]							
		A	B	C	AC	D2	AD	AG	A		B	C	AC	D2	AD	AG	Net weight [kg]	
MTR 1-2/2	0.37	462	160	302	141	140	109	82	12.9	-	-	-	-	-	-	-	-	-
MTR 1-3/3	0.37	480	178	302	141	140	109	82	13	-	-	-	-	-	-	-	-	-
MTR 1-4/4	0.37	498	196	302	141	140	109	82	13	-	-	-	-	-	-	-	-	-
MTR, MTRE 1-5/5	0.37	516	214	302	141	140	109	82	13	579	214	365	122	140	158	268	17.4	
MTR 1-6/6	0.37	534	232	302	141	140	109	82	13	-	-	-	-	-	-	-	-	-
MTR 1-7/7	0.37	552	250	302	141	140	109	82	13.1	-	-	-	-	-	-	-	-	-
MTR, MTRE 1-8/8	0.55	570	268	302	141	140	109	82	12.5	633	268	365	122	140	158	268	17.5	
MTR 1-9/9	0.55	588	286	302	141	140	109	82	12.6	-	-	-	-	-	-	-	-	-
MTR 1-10/10	0.55	606	304	302	141	140	109	82	12.6	-	-	-	-	-	-	-	-	-
MTR 1-11/11	0.55	624	322	302	141	140	109	82	12.6	-	-	-	-	-	-	-	-	-
MTR, MTRE 1-12/12	0.75	682	340	342	141	140	109	82	14.9	705	340	365	122	140	158	268	17.7	
MTR 1-13/13	0.75	700	358	342	141	140	109	82	14.9	-	-	-	-	-	-	-	-	-
MTR, MTRE 1-15/15	0.75	736	394	342	141	140	109	82	15	759	394	365	122	140	158	268	17.7	
MTR 1-17/17	1.1	792	430	362	141	140	109	82	17	-	-	-	-	-	-	-	-	-
MTR 1-19/19	1.1	828	466	362	141	140	109	82	17.1	-	-	-	-	-	-	-	-	-
MTR 1-21/21	1.1	864	502	362	141	140	109	82	17.1	-	-	-	-	-	-	-	-	-
MTR 1-22/22	1.1	882	520	362	141	140	109	82	17.1	-	-	-	-	-	-	-	-	-
MTR, MTRE 1-23/23	1.1	900	538	362	141	140	109	82	17.2	903	538	365	122	140	158	268	18.7	
MTR 1-25/25	1.5	966	574	392	178	140	110	162	25.3	-	-	-	-	-	-	-	-	-
MTR 1-26/26	1.5	984	592	392	178	140	110	162	25.3	-	-	-	-	-	-	-	-	-
MTR 1-27/27	1.5	1002	610	392	178	140	110	162	25.4	-	-	-	-	-	-	-	-	-
MTR, MTRE 1-30/30	1.5	1056	664	392	178	140	110	162	25.4	1049	664	385	122	140	158	268	21.8	
MTR 1-33/33	2.2	1150	718	432	178	140	110	162	28.6	-	-	-	-	-	-	-	-	-
MTR, MTRE 1-36/36	2.2	1204	772	432	178	140	110	162	28.7	1157	772	385	122	140	158	268	23.3	

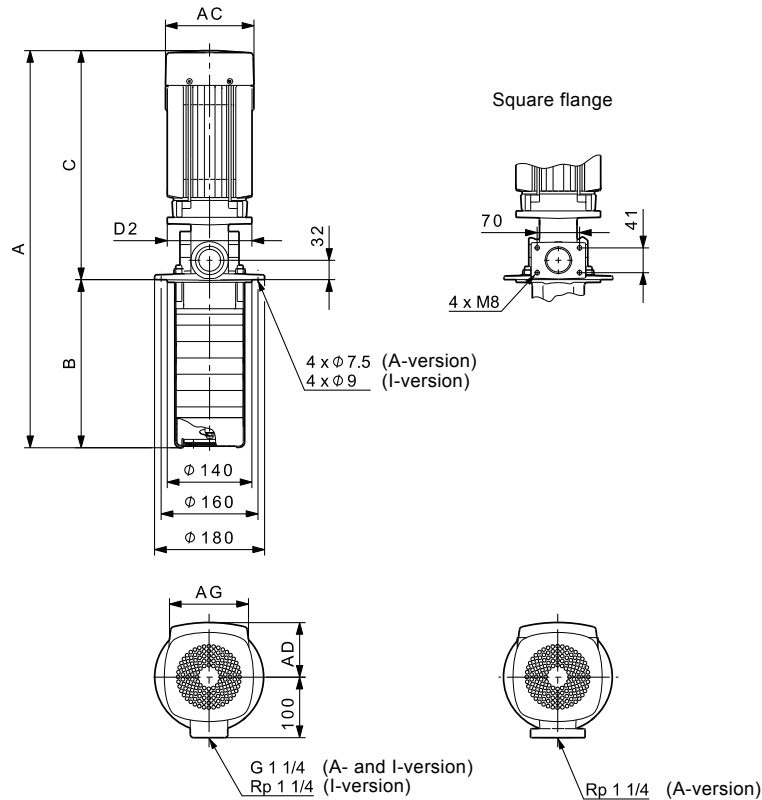
The maximum immersion depth is 1006 mm. See page 164.
 For information about electrical data, see section Motor data on page 150.

MTR, MTRE 3, 50 Hz



TM02 7841 2213

Dimensional sketches



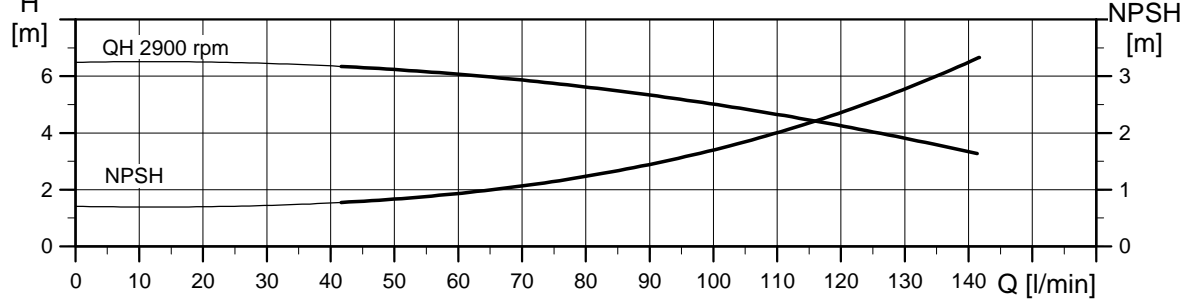
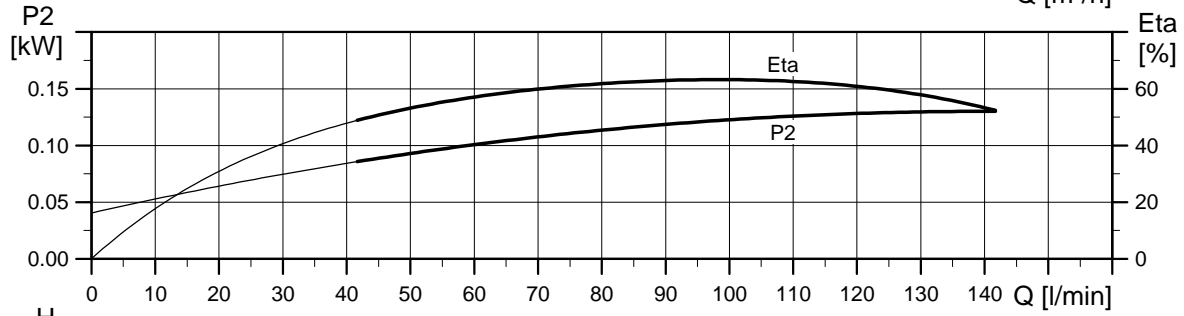
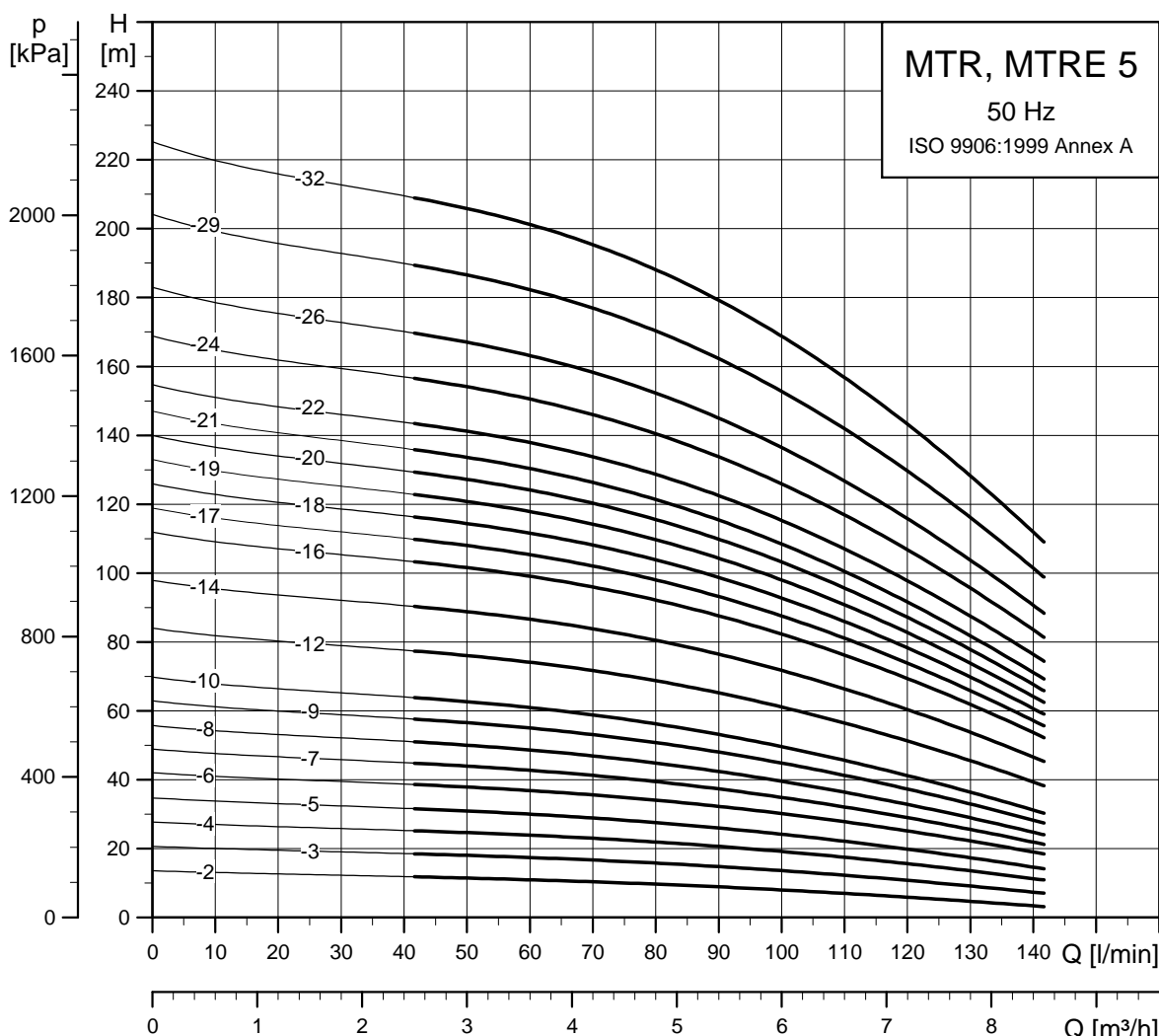
TM03 2677 2413

Dimensions and weights

Pump type	P2 [kW]	MTR								Net weight [kg]	MTRE								
		Dimensions [mm]									Dimensions [mm]								
		A	B	C	AC	D2	AD	AG	A		B	C	AC	D2	AD	AG			
MTR 3-2/2	0.37	462	160	302	141	140	109	82	12.9	-	-	-	-	-	-	-	-	-	-
MTR 3-3/3	0.37	480	178	302	141	140	109	82	13	-	-	-	-	-	-	-	-	-	-
MTR 3-4/4	0.37	498	196	302	141	140	109	82	13	-	-	-	-	-	-	-	-	-	-
MTR, MTRE 3-5/5	0.37	516	214	302	141	140	109	82	13	579	214	365	122	140	158	268	17.4	-	-
MTR 3-6/6	0.55	534	232	302	141	140	109	82	12.5	-	-	-	-	-	-	-	-	-	-
MTR 3-7/7	0.55	552	250	302	141	140	109	82	12.5	-	-	-	-	-	-	-	-	-	-
MTR, MTRE 3-8/8	0.75	610	268	342	141	140	109	82	14.8	633	268	365	122	140	158	268	17.6	-	-
MTR 3-9/9	0.75	628	286	342	141	140	109	82	14.8	-	-	-	-	-	-	-	-	-	-
MTR 3-10/10	0.75	646	304	342	141	140	109	82	14.9	-	-	-	-	-	-	-	-	-	-
MTR, MTRE 3-11/11	0.75	664	322	342	141	140	109	82	14.9	687	322	365	122	140	158	268	17.6	-	-
MTR 3-12/12	1.1	702	340	362	141	140	109	82	16.9	-	-	-	-	-	-	-	-	-	-
MTR 3-13/13	1.1	720	358	362	141	140	109	82	16.9	-	-	-	-	-	-	-	-	-	-
MTR, MTRE 3-15/15	1.1	756	394	362	141	140	109	82	17	759	394	365	122	140	158	268	18.5	-	-
MTR 3-17/17	1.5	822	430	392	178	140	110	162	25.1	-	-	-	-	-	-	-	-	-	-
MTR, MTRE 3-19/19	1.5	858	466	392	178	140	110	162	25.2	851	466	385	122	140	158	268	21.5	-	-
MTR 3-21/21	2.2	934	502	432	178	140	110	162	28.3	-	-	-	-	-	-	-	-	-	-
MTR 3-22/22	2.2	952	520	432	178	140	110	162	28.3	-	-	-	-	-	-	-	-	-	-
MTR 3-23/23	2.2	970	538	432	178	140	110	162	28.4	-	-	-	-	-	-	-	-	-	-
MTR, MTRE 3-25/25	2.2	1006	574	432	178	140	110	162	28.4	959	574	385	122	140	158	268	23	-	-
MTR 3-26/26	2.2	1024	592	432	178	140	110	162	28.4	-	-	-	-	-	-	-	-	-	-
MTR 3-27/27	2.2	1042	610	432	178	140	110	162	28.5	-	-	-	-	-	-	-	-	-	-
MTR, MTRE 3-30/30	3	1110	664	446	198	160	120	162	32.5	1109	664	445	191	160	201	291	29.8	-	-
MTR 3-33/33	3	1164	718	446	198	160	120	162	32.6	-	-	-	-	-	-	-	-	-	-
MTR, MTRE 3-36/36	3	1218	772	446	198	160	120	162	32.7	1217	772	445	191	160	201	291	29.9	-	-

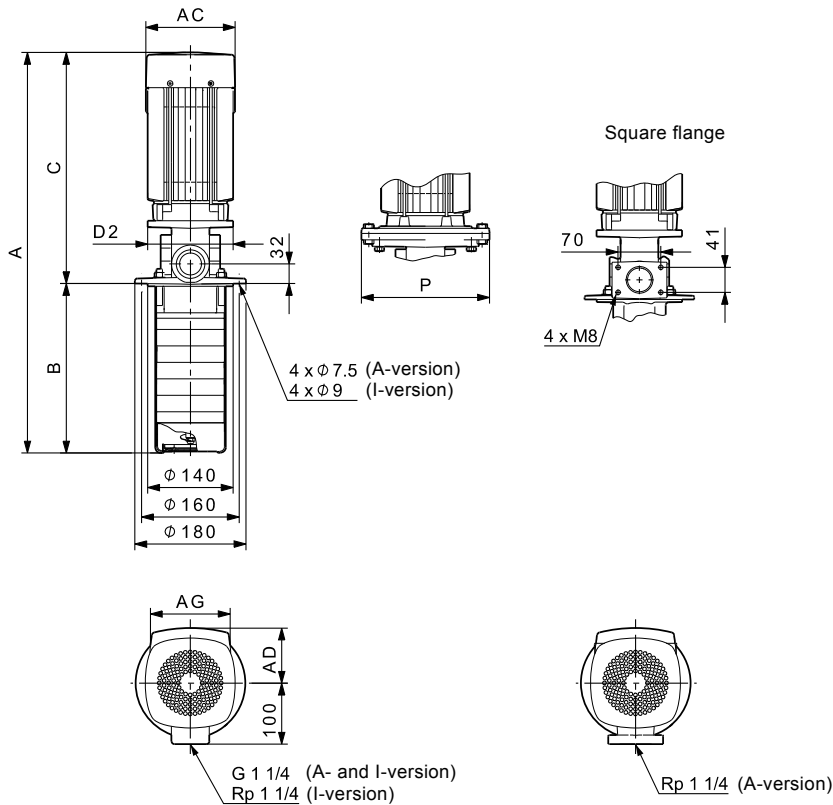
The maximum immersion depth is 1006 mm. See page 164.
 For information about electrical data, see section Motor data on page 150.

MTR, MTRE 5, 50 Hz



TM02 7842 4303

Dimensional sketches



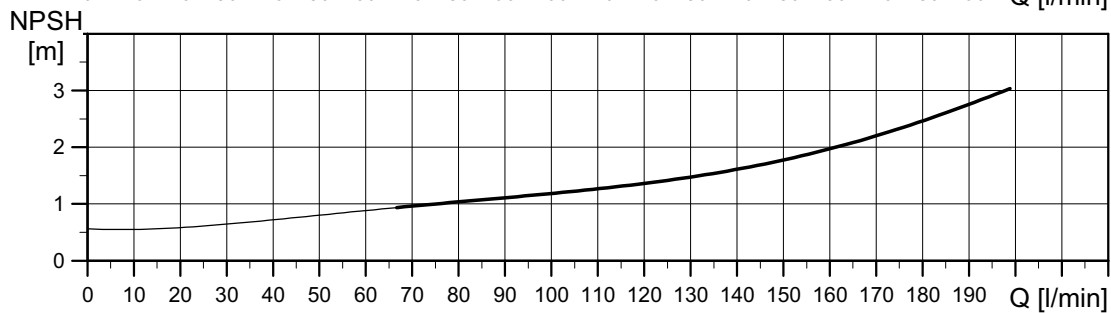
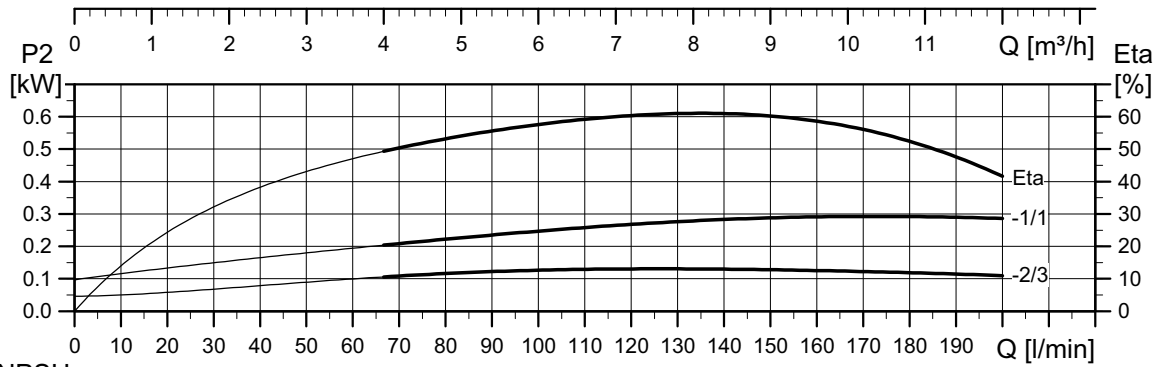
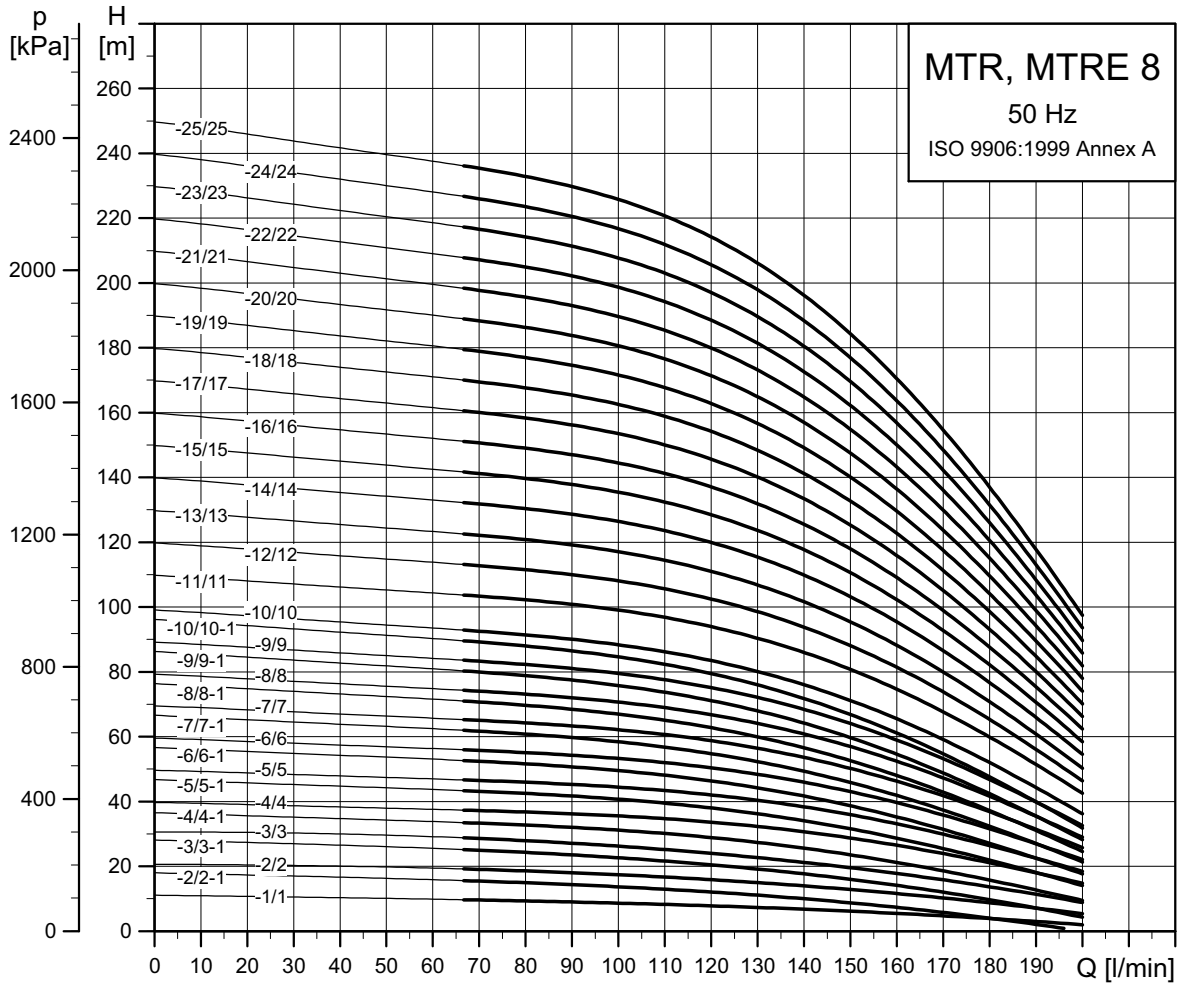
TM04 2789 2413

Dimensions and weights

Pump type	P2 [kW]	MTR									MTRE									
		Dimensions [mm]									Net weight [kg]	Dimensions [mm]								Net weight [kg]
		A	B	C	AC	D2	P	AD	AG	A		B	C	AC	D2	P	AD	AG		
MTR, MTRE 5-2/2	0.37	471	169	302	141	140	-	109	82	13.2	534	169	365	122	140	-	158	268	17.6	
MTR 5-3/3	0.55	498	196	302	141	140	-	109	82	12.7	-	-	-	-	-	-	-	-	-	
MTR, MTRE 5-4/4	0.55	525	223	302	141	140	-	109	82	12.7	588	223	365	122	140	-	158	268	17.7	
MTR, MTRE 5-5/5	0.75	592	250	342	141	140	-	109	82	15.1	615	250	365	122	140	-	158	268	17.8	
MTR 5-6/6	1.1	639	277	362	141	140	-	109	82	17.1	-	-	-	-	-	-	-	-	-	
MTR 5-7/7	1.1	666	304	362	141	140	-	109	82	17.1	-	-	-	-	-	-	-	-	-	
MTR, MTRE 5-8/8	1.1	693	331	362	141	140	-	109	82	17.2	696	331	365	122	140	-	158	268	18.7	
MTR 5-9/9	1.5	750	358	392	178	140	-	110	162	25.3	-	-	-	-	-	-	-	-	-	
MTR, MTRE 5-10/10	1.5	777	385	392	178	140	-	110	162	25.3	770	385	385	122	140	-	158	268	21.7	
MTR 5-12/12	2.2	871	439	432	178	140	-	110	162	28.5	-	-	-	-	-	-	-	-	-	
MTR 5-14/14	2.2	925	493	432	178	140	-	110	162	28.6	-	-	-	-	-	-	-	-	-	
MTR, MTRE 5-16/16	2.2	979	547	432	178	140	-	110	162	28.6	932	547	385	122	140	-	158	268	23.3	
MTR 5-17/17	3	1029	583	446	198	160	-	120	162	32.7	-	-	-	-	-	-	-	-	-	
MTR 5-18/18	3	1047	601	446	198	160	-	120	162	32.7	-	-	-	-	-	-	-	-	-	
MTR 5-19/19	3	1074	628	446	198	160	-	120	162	32.7	-	-	-	-	-	-	-	-	-	
MTR, MTRE 5-20/20	3	1101	655	446	198	160	-	120	162	32.8	1100	655	445	191	160	-	201	291	30	
MTR 5-21/21	3	1128	682	446	198	160	-	120	162	32.8	-	-	-	-	-	-	-	-	-	
MTR, MTRE 5-22/22	4	1192	709	483	220	160	-	134	202	44.5	1154	709	445	191	160	-	201	291	37.7	
MTR 5-24/24	4	1246	763	483	220	160	-	134	202	44.6	-	-	-	-	-	-	-	-	-	
MTR 5-26/26	4	1300	817	483	220	160	-	134	202	44.7	-	-	-	-	-	-	-	-	-	
MTR, MTRE 5-29/29	4	1381	898	483	220	160	-	134	202	44.8	1343	898	445	191	160	-	201	291	38	
MTR, MTRE 5-32/32	5.5	1506	979	527	220	-	300	134	202	62.1	1480	979	501	191	-	300	201	291	59	

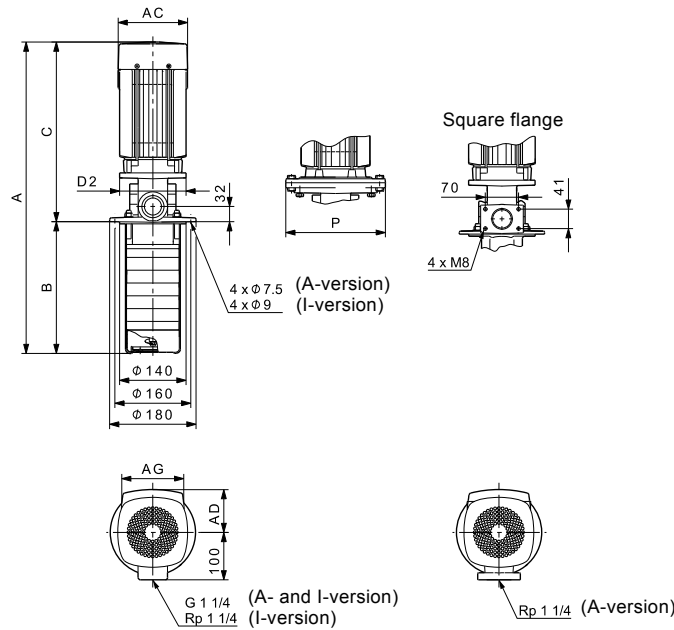
The maximum immersion depth is 1006 mm. See page 164.
For information about electrical data, see section Motor data on page 150.

MTR, MTRE 8, 50 Hz



TM06 2363 4114

Dimensional sketches



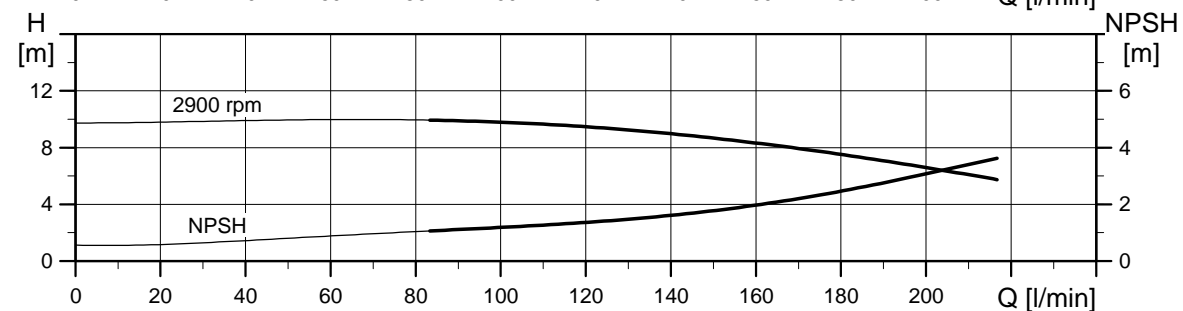
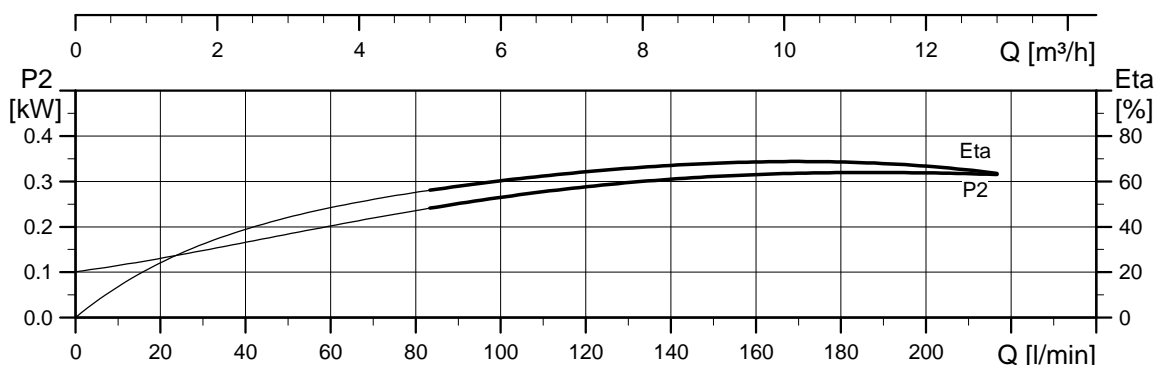
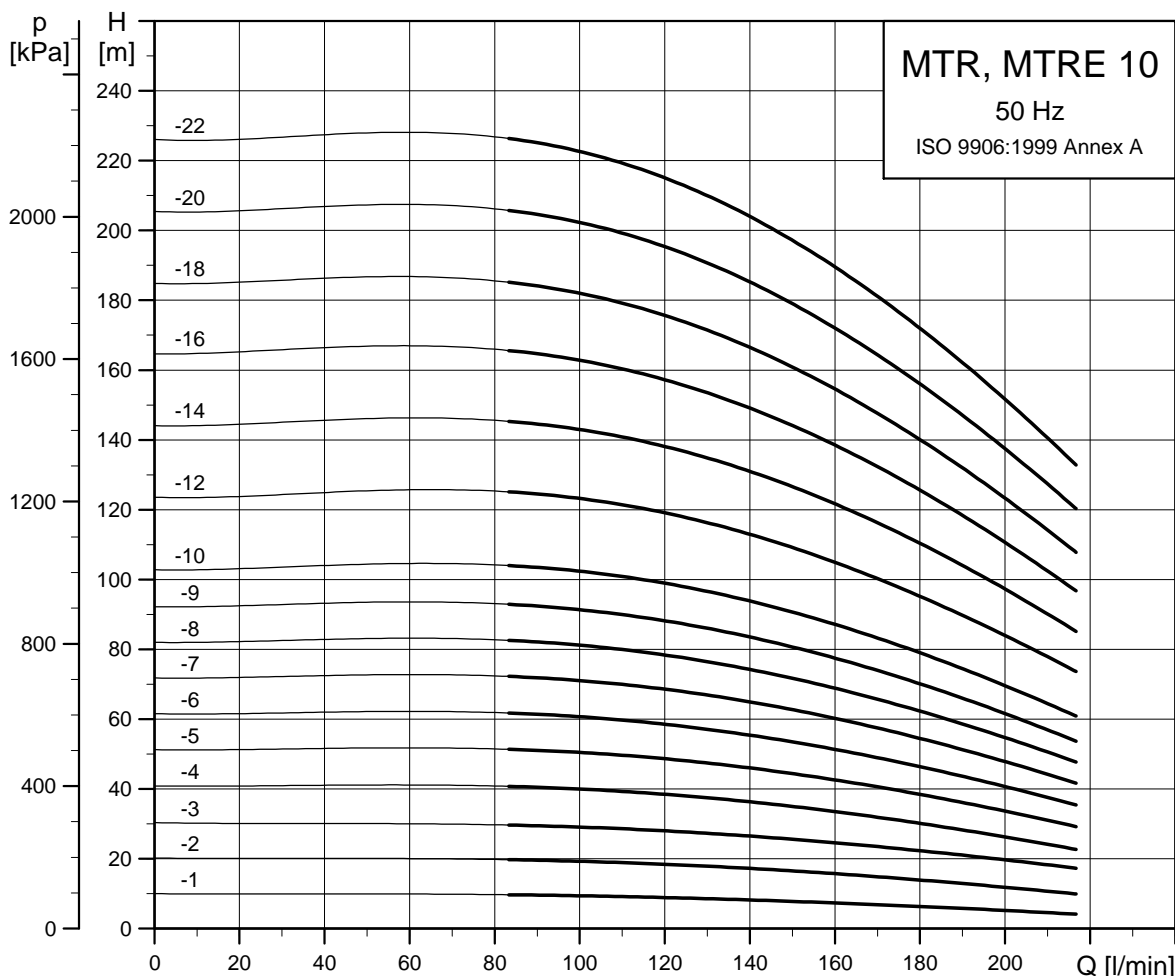
TM04 2789 2413

Dimensions and weights

Pump type	P2 [kW]	MTR									MTRE										
		Dimensions [mm]									Net weight [kg]	Dimensions [mm]									Net weight [kg]
		A	B	C	AC	D2	P	AD	AG	A		B	C	AC	D2	P	AD	AG			
MTR, MTRE 8-1/1	0.37	498	196	302	141	140	-	109	82	17.3	561	196	365	122	140	-	158	268	21.7		
MTR, MTRE 8-2/2-1	0.55	525	223	302	141	140	-	109	82	16.8	588	223	365	122	140	-	158	268	21.7		
MTR 8-2/2	0.75	565	223	342	141	140	-	109	82	19	-	-	-	-	-	-	-	-	-		
MTR, MTRE 8-3/3-1	0.75	592	250	342	141	140	-	109	82	19.1	615	250	365	122	140	-	158	268	21.8		
MTR 8-3/3	1.1	612	250	362	141	140	-	109	82	21.1	-	-	-	-	-	-	-	-	-		
MTR, MTRE 8-4/4-1	1.1	639	277	362	141	140	-	109	82	21.1	642	277	365	122	140	-	158	268	22.6		
MTR 8-4/4	1.5	669	277	392	178	140	-	110	162	29.2	-	-	-	-	-	-	-	-	-		
MTR 8-5/5-1	1.5	696	304	392	178	140	-	110	162	29.2	-	-	-	-	-	-	-	-	-		
MTR, MTRE 8-5/5	1.5	736	304	432	178	140	-	110	162	32.3	689	304	385	122	140	-	158	268	27		
MTR 8-6/6-1	2.2	763	331	432	178	140	-	110	162	32.4	-	-	-	-	-	-	-	-	-		
MTR 8-6/6	2.2	763	331	432	178	140	-	110	162	32.4	-	-	-	-	-	-	-	-	-		
MTR 8-7/7-1	2.2	790	358	432	178	140	-	110	162	32.4	-	-	-	-	-	-	-	-	-		
MTR, MTRE 8-7/7	2.2	790	358	432	178	140	-	110	162	32.4	743	358	385	122	140	-	158	268	27		
MTR 8-8/8-1	3	831	385	446	198	160	-	120	162	36.4	-	-	-	-	-	-	-	-	-		
MTR 8-8/8	3	831	385	446	198	160	-	120	162	36.4	-	-	-	-	-	-	-	-	-		
MTR 8-9/9-1	3	858	412	446	198	160	-	120	162	36.5	-	-	-	-	-	-	-	-	-		
MTR 8-9/9	3	858	412	446	198	160	-	120	162	36.5	-	-	-	-	-	-	-	-	-		
MTR 8-10/10-1	3	885	439	446	198	160	-	120	162	36.5	-	-	-	-	-	-	-	-	-		
MTR, MTRE 8-10/10	3	885	439	446	198	160	-	120	162	36.5	884	439	445	191	160	-	201	291	33.8		
MTR 8-11/11	4	949	466	483	220	160	-	134	202	48.2	-	-	-	-	-	-	-	-	-		
MTR 8-12/12	4	976	493	483	220	160	-	134	202	48.3	-	-	-	-	-	-	-	-	-		
MTR, MTRE 8-13/13	4	1003	520	483	220	160	-	134	202	48.3	965	520	445	191	160	-	201	291	41.5		
MTR 8-14/14	5.5	1074	547	527	220	-	300	134	202	65.5	-	-	-	-	-	-	-	-	-		
MTR 8-15/15	5.5	1101	574	527	220	-	300	134	202	65.6	-	-	-	-	-	-	-	-	-		
MTR 8-16/16	5.5	1128	601	527	220	-	300	134	202	65.6	-	-	-	-	-	-	-	-	-		
MTR 8-17/17	5.5	1155	628	527	220	-	300	134	202	65.6	-	-	-	-	-	-	-	-	-		
MTR, MTRE 8-18/18	5.5	1182	655	527	220	-	300	134	202	65.7	1156	655	501	191	-	300	201	291	62.6		
MTR 8-19/19	7.5	1197	682	515	260	-	300	159	203	75.5	-	-	-	-	-	-	-	-	-		
MTR 8-20/20	7.5	1224	709	515	260	-	300	159	203	75.5	-	-	-	-	-	-	-	-	-		
MTR 8-21/21	7.5	1251	736	515	260	-	300	159	203	75.6	-	-	-	-	-	-	-	-	-		
MTR 8-22/22	7.5	1278	763	515	260	-	300	159	203	75.6	-	-	-	-	-	-	-	-	-		
MTR 8-23/23	7.5	1305	790	515	260	-	300	159	203	75.7	-	-	-	-	-	-	-	-	-		
MTR 8-24/24	7.5	1332	817	515	260	-	300	159	203	75.7	-	-	-	-	-	-	-	-	-		
MTR, MTRE 8-25/25	7.5	1359	844	515	260	-	300	159	203	75.7	1369	844	525	255	-	300	237	346	68.9		

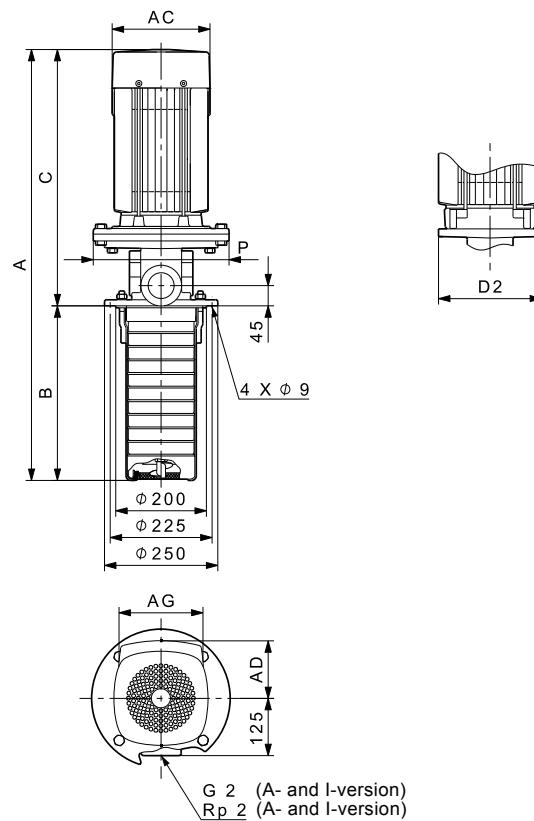
The maximum immersion depth is 1006 mm. See page 164.
For information about electrical data, see section [Motor data](#) on page 150.

MTR, MTRE 10, 50 Hz



TM02 7643 4303

Dimensional sketches



TM04 2790 2413

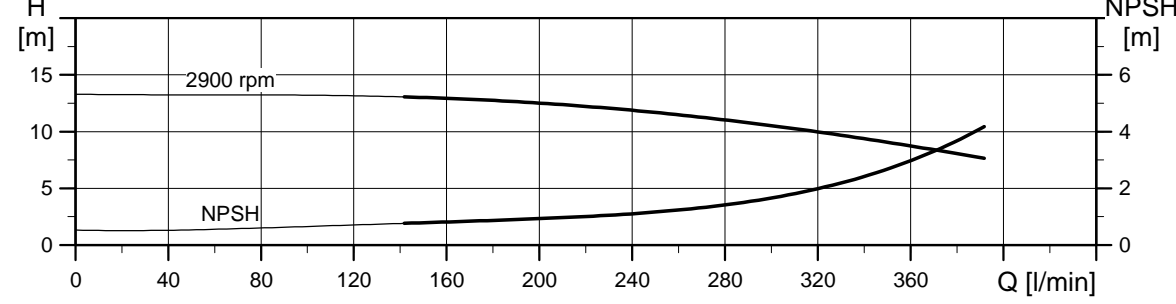
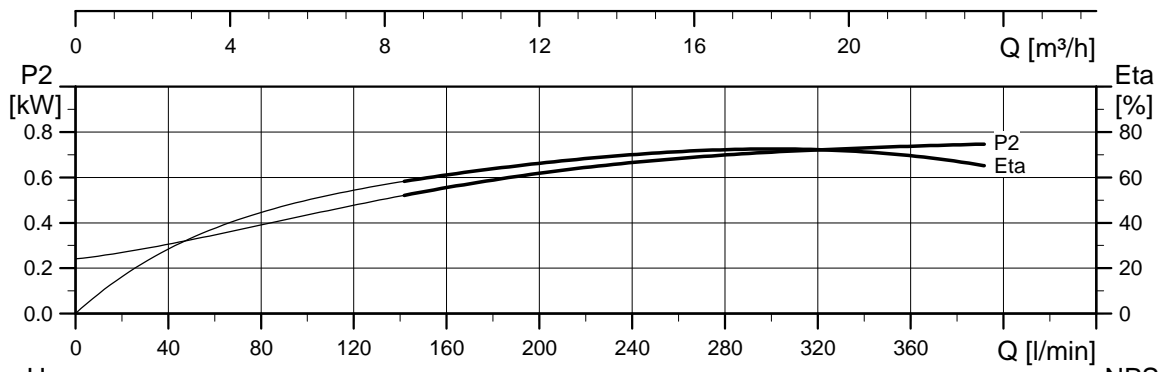
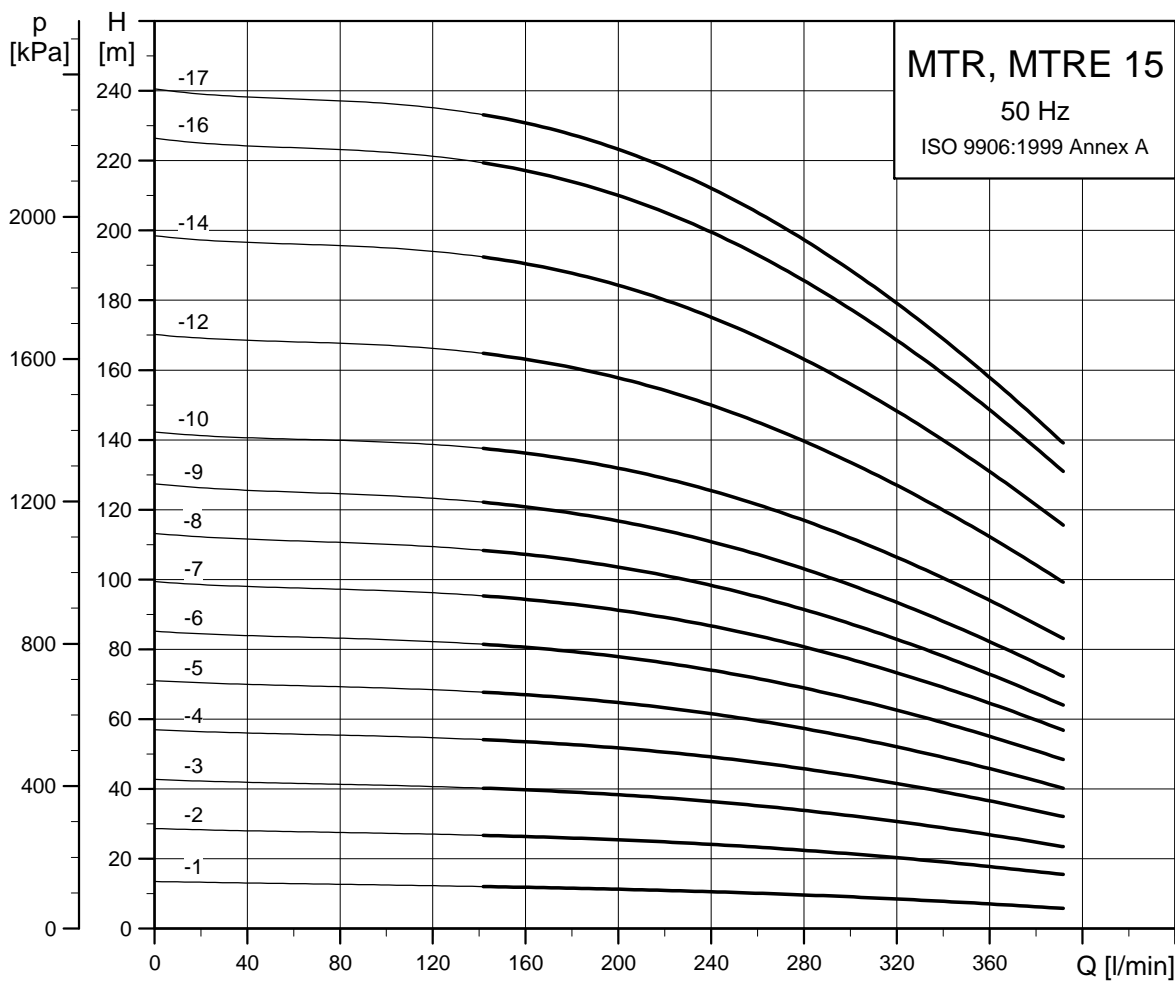
Dimensions and weights

Pump type	P2 [kW]	MTR									MTRE										
		Dimensions [mm]									Net weight [kg]	Dimensions [mm]									Net weight [kg]
		A	B	C	AC	D2	P	AD	AG	A		B	C	AC	D2	P	AD	AG			
MTR, MTRE 10-2/1	0.75	519	148	371	141	140	-	109	82	22.7	542	148	394	122	140	-	158	268	25.5		
MTR, MTRE 10-2/2	0.75	519	148	371	141	140	-	109	82	22.7	542	148	394	122	140	-	158	268	25.5		
MTR, MTRE 10-3/3	1.1	569	178	391	141	140	-	109	82	24.8	572	178	394	122	140	-	158	268	26.3		
MTR, MTRE 10-4/4	1.5	629	208	421	178	140	-	110	162	33	622	208	414	122	140	-	158	268	29.3		
MTR 10-5/5	2.2	699	238	461	178	140	-	110	162	36.1	-	-	-	-	-	-	-	-	-		
MTR, MTRE 10-6/6	2.2	729	268	461	178	140	-	110	162	36.2	682	268	414	122	140	-	158	268	30.8		
MTR 10-7/7	3	773	298	475	198	160	-	120	162	40.3	-	-	-	-	-	-	-	-	-		
MTR 10-8/8	3	803	328	475	198	160	-	120	162	40.4	-	-	-	-	-	-	-	-	-		
MTR, MTRE 10-9/9	3	833	358	475	198	160	-	120	162	40.4	832	358	474	191	160	-	201	291	37.7		
MTR 10-10/10	4	900	388	512	220	160	-	134	202	52.2	-	-	-	-	-	-	-	-	-		
MTR, MTRE 10-12/12	4	960	448	512	220	160	-	134	202	52.3	922	448	474	191	160	-	201	291	45.5		
MTR 10-14/14	5.5	1063	508	555	220	-	300	134	202	64.7	-	-	-	-	-	-	-	-	-		
MTR, MTRE 10-16/16	5.5	1123	568	555	220	-	300	134	202	64.8	1097	568	529	191	-	300	201	291	61.7		
MTR 10-18/18	7.5	1165	622	543	260	-	300	159	203	74.8	-	-	-	-	-	-	-	-	-		
MTR 10-20/20	7.5	1231	688	543	260	-	300	159	203	74.9	-	-	-	-	-	-	-	-	-		
MTR, MTRE 10-22/22	7.5	1291	748	543	260	-	300	159	203	75	1301	748	553	255	-	300	237	346	68.2		

The maximum immersion depth is 1018 mm. See page 164.

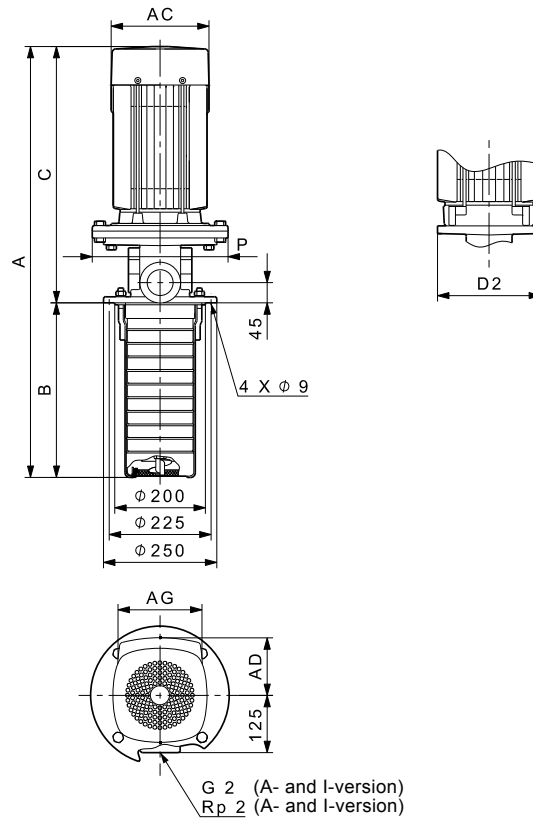
For information about electrical data, see section [Motor data](#) on page 150.

MTR, MTRE 15, 50 Hz



TM02 7844 4303

Dimensional sketches



TM04 2790 2413

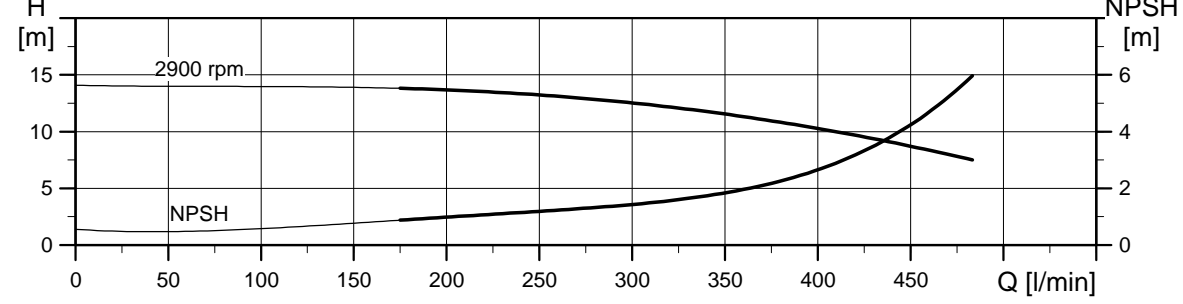
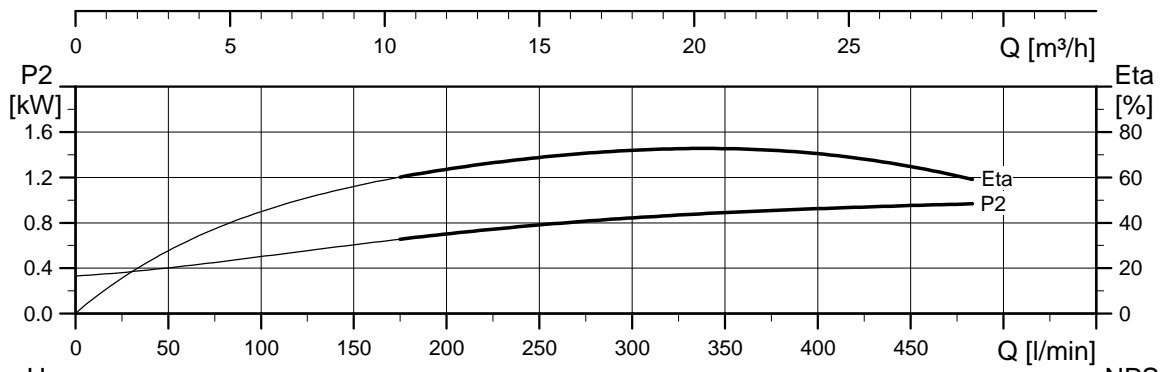
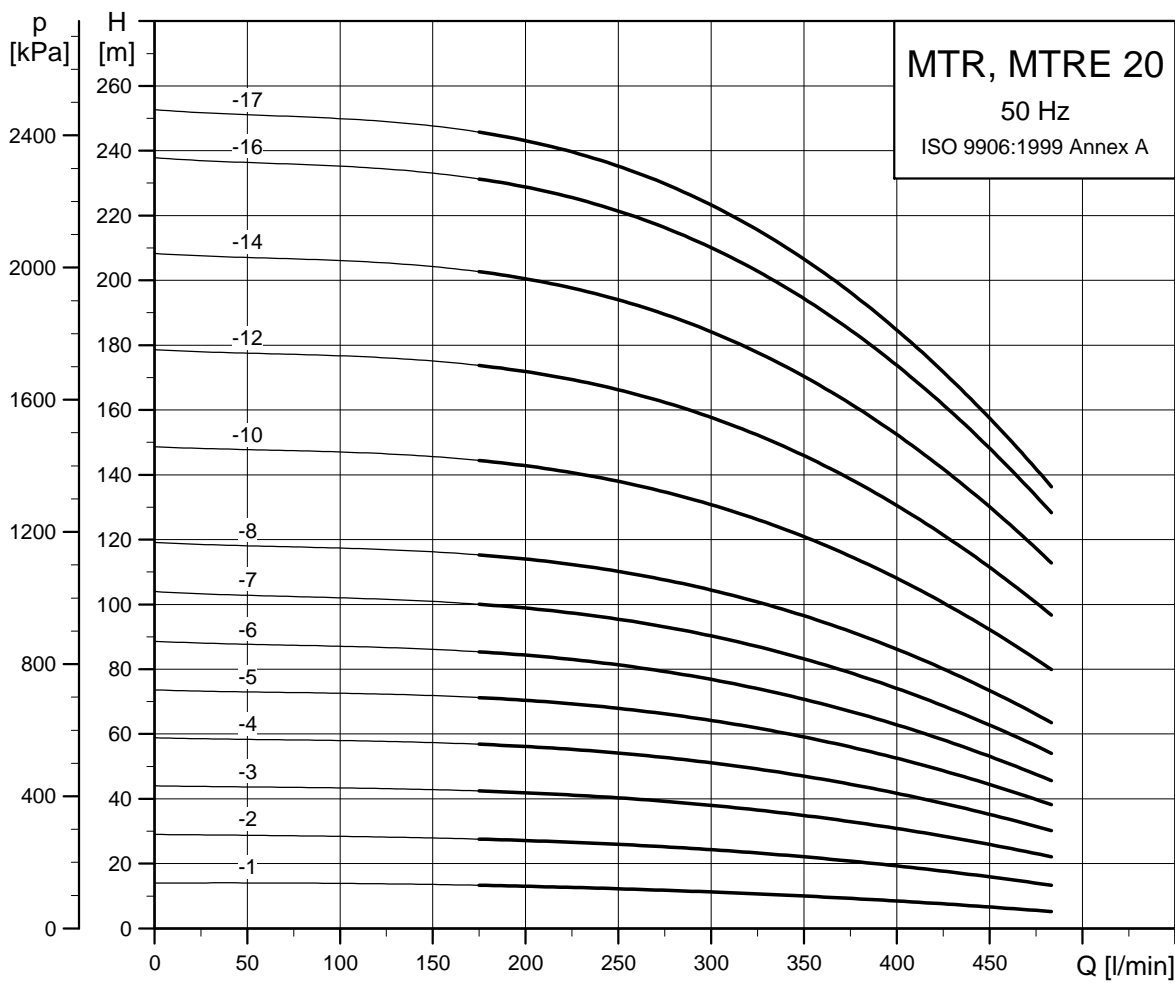
Dimensions and weights

Pump type	P2 [kW]	MTR									MTRE										
		Dimensions [mm]									Net weight [kg]	Dimensions [mm]									Net weight [kg]
		A	B	C	AC	D2	P	AD	AG	A		B	C	AC	D2	P	AD	AG			
MTR, MTRE 15-2/1	1.1	569	178	391	141	140	-	109	82	25.8	572	178	394	122	140	-	158	268	27.3		
MTR, MTRE 15-2/2	2.2	639	178	461	178	140	-	110	162	37	592	178	414	122	140	-	158	268	31.6		
MTR, MTRE 15-3/3	3	698	223	475	198	160	-	120	162	41.1	697	223	474	191	160	-	201	291	38.3		
MTR 15-4/4	4	780	268	512	220	160	-	134	202	52.9	-	-	-	-	-	-	-	-	-		
MTR, MTRE 15-5/5	4	825	313	512	220	160	-	134	202	53	787	313	474	191	160	-	201	291	46.2		
MTR 15-6/6	5.5	913	358	555	220	-	300	134	202	65.3	-	-	-	-	-	-	-	-	-		
MTR, MTRE 15-7/7	5.5	958	403	555	220	-	300	134	202	65.4	932	403	529	191	-	300	201	291	62.3		
MTR 15-8/8	7.5	991	448	543	260	-	300	159	203	75.3	-	-	-	-	-	-	-	-	-		
MTR, MTRE 15-9/9	7.5	1036	493	543	260	-	300	159	203	75.4	1046	493	553	255	-	300	237	346	68.6		
MTR 15-10/10	11	1203	538	665	314	-	350	204	243	113	-	-	-	-	-	-	-	-	-		
MTR 15-12/12	11	1293	628	665	314	-	350	204	243	113.2	-	-	-	-	-	-	-	-	-		
MTR, MTRE 15-14/14	11	1383	718	665	314	-	350	204	243	113.4	1318	718	600	255	-	350	237	346	87.8		
MTR 15-16/16	15	1473	808	665	314	-	350	204	243	125.4	-	-	-	-	-	-	-	-	-		
MTR, MTRE 15-17/17	15	1518	853	665	314	-	350	204	243	125.5	1518	853	665	314	-	350	308	420	158.7		

The maximum immersion depth is 1033 mm. See page 164.

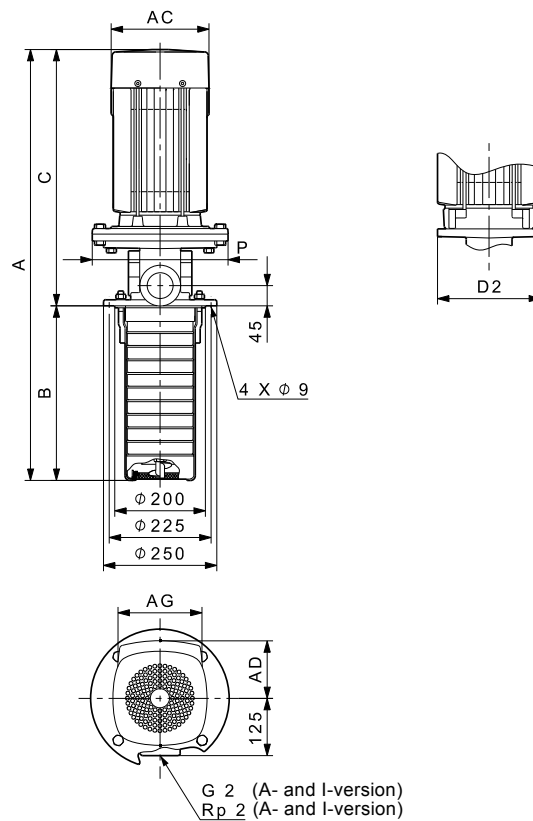
For information about electrical data, see section [Motor data](#) on page 150.

MTR, MTRE 20, 50 Hz



TM02 7845 4303

Dimensional sketches



TM04 2790 2413

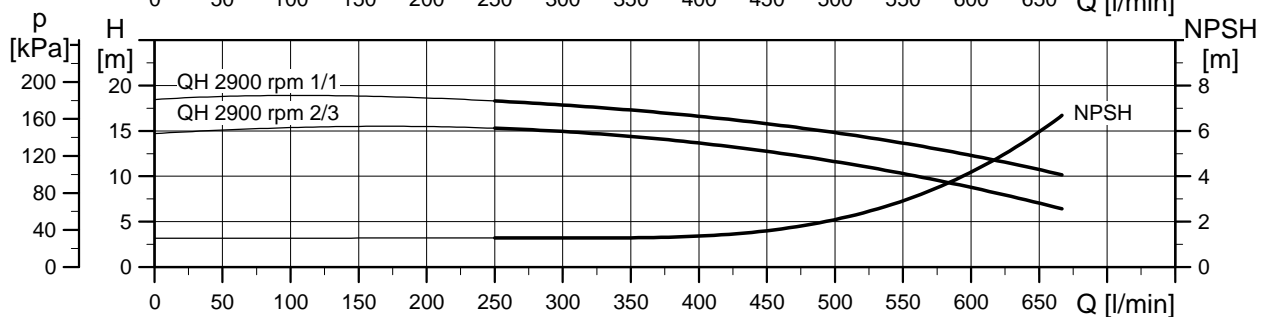
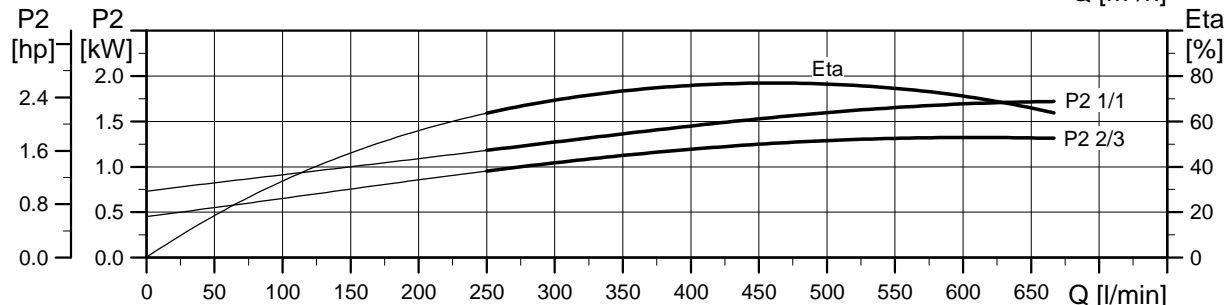
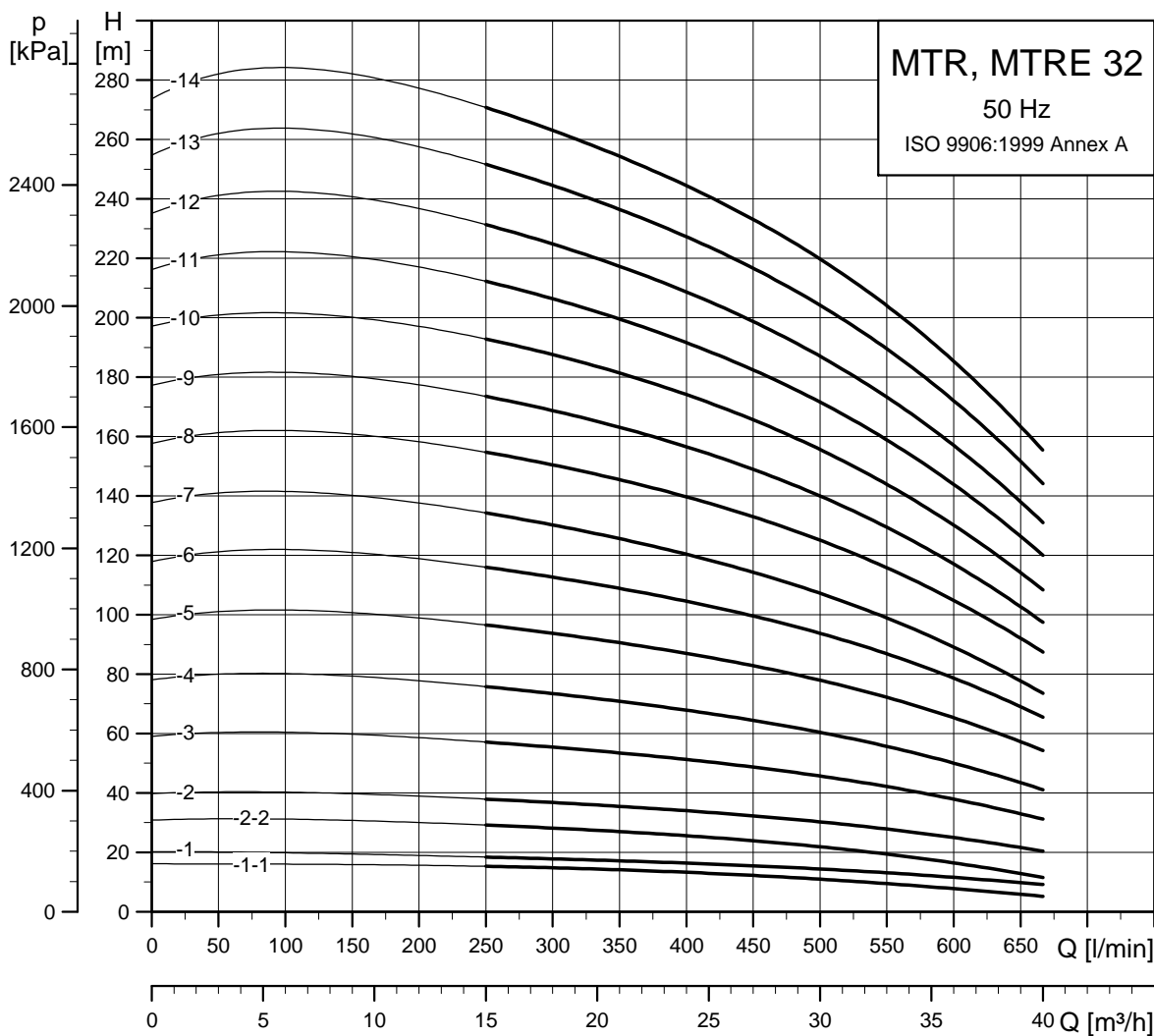
Dimensions and weights

Pump type	P2 [kW]	MTR									MTRE										
		Dimensions [mm]									Net weight [kg]	Dimensions [mm]									Net weight [kg]
		A	B	C	AC	D2	P	AD	AG	A		B	C	AC	D2	P	AD	AG			
MTR, MTRE 20-2/1	1.1	569	178	391	141	140	-	109	82	25.8	572	178	394	122	140	-	158	268	27.3		
MTR, MTRE 20-2/2	2.2	639	178	461	178	140	-	110	162	37	592	178	414	122	140	-	158	268	31.6		
MTR, MTRE 20-3/3	4	735	223	512	220	160	-	134	202	52.8	697	223	474	191	160	-	201	291	46		
MTR 20-4/4	5.5	823	268	555	220	-	300	134	202	65.1	-	-	-	-	-	-	-	-	-		
MTR, MTRE 20-5/5	5.5	868	313	555	220	-	300	134	202	65.2	842	313	529	191	-	300	201	291	62.1		
MTR 20-6/6	7.5	901	358	543	260	-	300	159	203	75.1	-	-	-	-	-	-	-	-	-		
MTR, MTRE 20-7/7	7.5	946	403	543	260	-	300	159	203	75.2	956	403	553	255	-	300	237	346	68.4		
MTR 20-8/8	11	1113	448	665	314	-	350	204	243	112.8	-	-	-	-	-	-	-	-	-		
MTR, MTRE 20-10/10	11	1203	538	665	314	-	350	204	243	113	1138	538	600	255	-	350	237	346	87.3		
MTR 20-12/12	15	1293	628	665	314	-	350	204	243	125	-	-	-	-	-	-	-	-	-		
MTR, MTRE 20-14/14	15	1383	718	665	314	-	350	204	243	125.2	1383	718	665	314	-	350	308	420	158.4		
MTR 20-16/16	18.5	1517	808	709	314	-	350	204	243	138.1	-	-	-	-	-	-	-	-	-		
MTR, MTRE 20-17/17	18.5	1562	853	709	314	-	350	204	243	138.2	1562	853	709	314	-	350	308	420	170.7		

The maximum immersion depth is 1033 mm. See page 164.

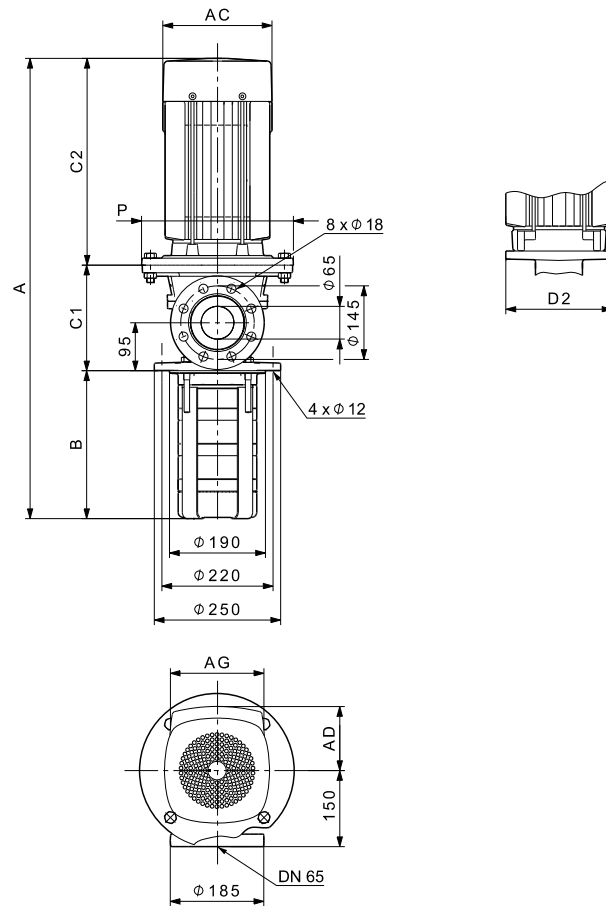
For information about electrical data, see section [Motor data](#) on page 150.

MTR, MTRE 32, 50 Hz



TM01 4302 2213

Dimensional sketches



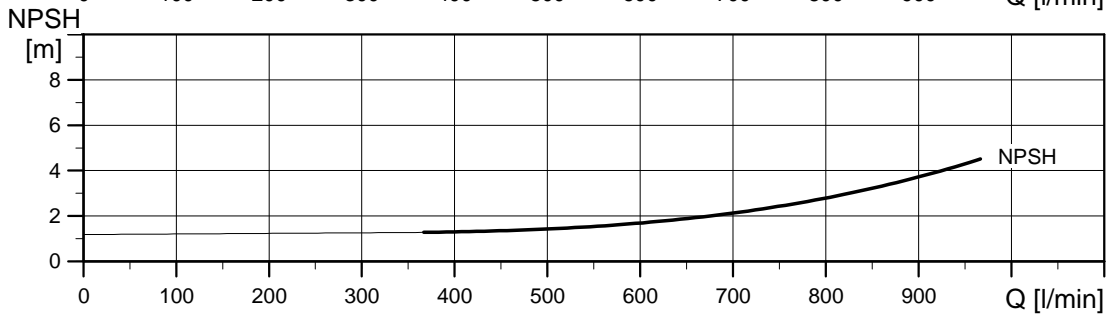
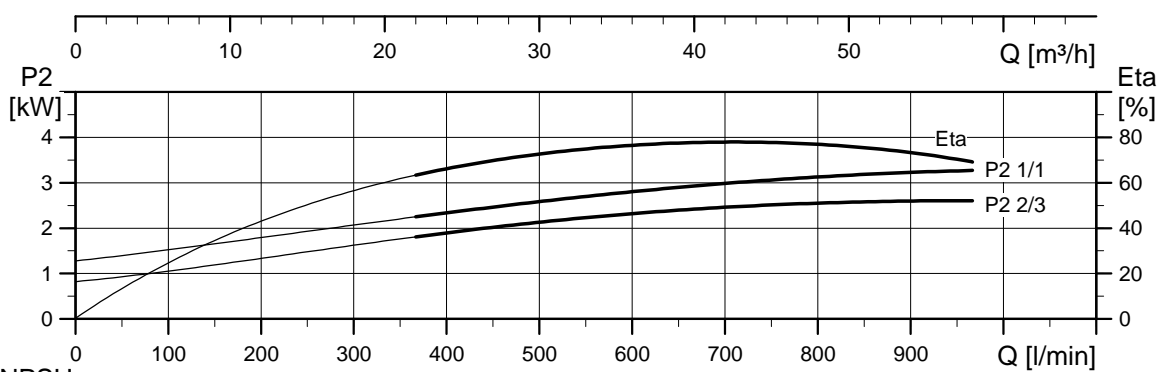
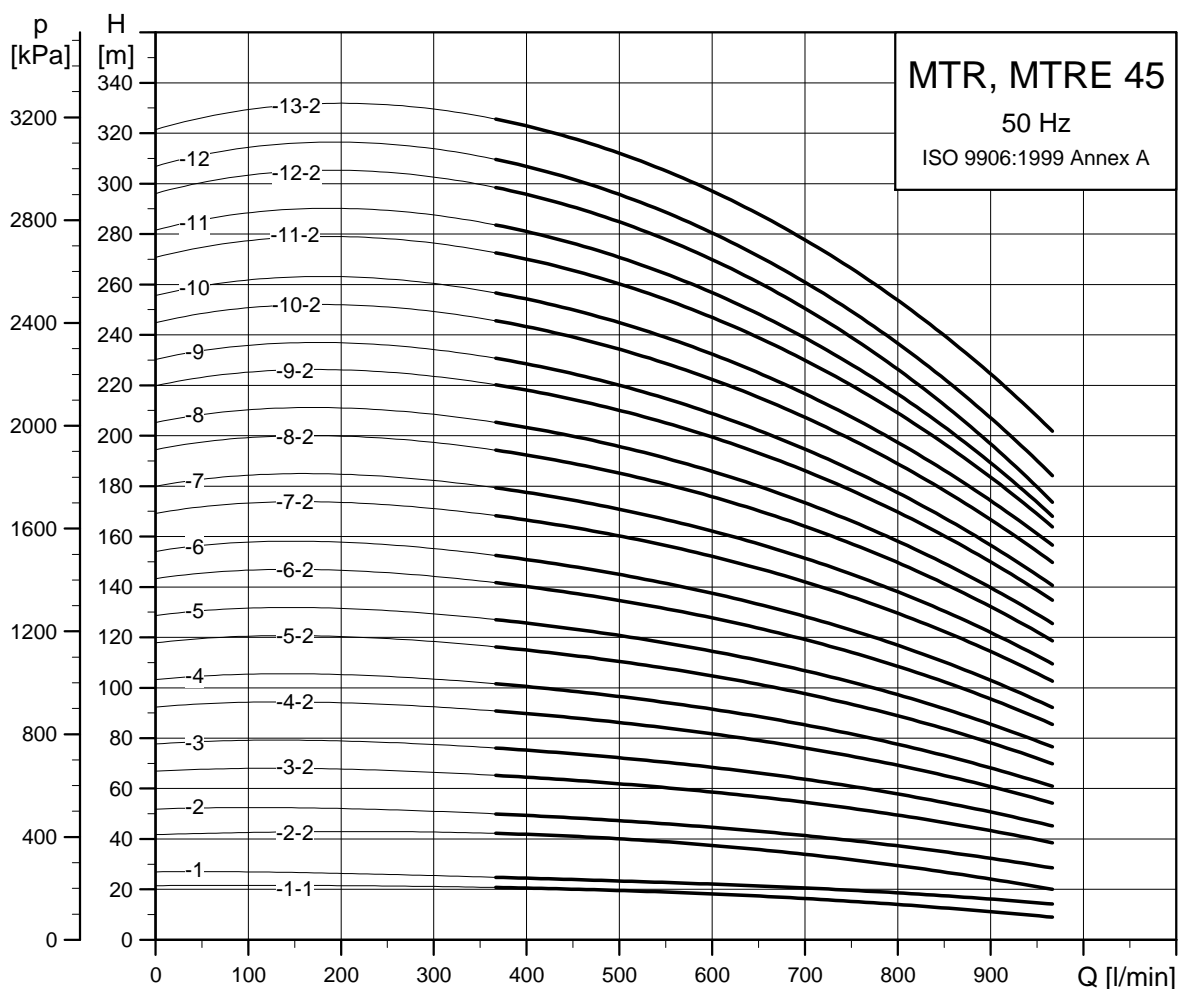
TM04 2791 4614

Dimensions and weights

Pump type	P2 [kW]	MTR										MTRE											
		Dimensions [mm]										Net weight [kg]	Dimensions [mm]										Net weight [kg]
		A	B	C1	C2	AC	D2	P	AD	AG	A		B	C1	C2	AC	D2	P	AD	AG			
MTR, MTRE 32-2/1-1	1.5	642	223	138	281	178	-	198	110	162	51.8	635	223	138	274	122	-	198	158	268	48.1		
MTR, MTRE 32-2/1	2.2	682	223	138	321	178	-	198	110	162	54.9	635	223	138	274	122	-	198	158	268	49.5		
MTR, MTRE 32-2/2-2	3	696	223	138	335	198	198	-	120	162	58	695	223	138	334	191	198	-	201	291	55.3		
MTR, MTRE 32-2/2	4	733	223	138	372	220	198	-	134	202	69.7	695	223	138	334	191	198	-	201	291	62.9		
MTR, MTRE 32-3/3	5.5	893	293	209	391	220	-	300	134	202	84.6	867	293	209	365	191	-	300	201	291	81.5		
MTR, MTRE 32-4/4	7.5	951	363	209	379	260	-	300	159	203	94.7	961	363	209	389	255	-	300	237	346	87.9		
MTR 32-5/5	11	1113	433	209	471	314	-	350	204	243	132	-	-	-	-	-	-	-	-	-	-		
MTR, MTRE 32-6/6	11	1183	503	209	471	314	-	350	204	243	132.2	1118	503	209	406	255	-	350	237	346	106.6		
MTR 32-7/7	15	1253	573	209	471	314	-	350	204	243	144.3	-	-	-	-	-	-	-	-	-	-		
MTR, MTRE 32-8/8	15	1323	643	209	471	314	-	350	204	243	144.5	1323	643	209	471	314	-	350	308	420	177.7		
MTR 32-9/9	18.5	1437	713	209	515	314	-	350	204	243	157.5	-	-	-	-	-	-	-	-	-	-		
MTR, MTRE 32-10/10	18.5	1507	783	209	515	314	-	350	204	243	157.8	1507	783	209	515	314	-	350	308	420	190.3		
MTR 32-11/11	22	1603	853	209	541	314	-	350	204	243	173.2	-	-	-	-	-	-	-	-	-	-		
MTR, MTRE 32-12/12	22	1673	923	209	541	314	-	350	204	243	173.5	1673	923	209	541	314	-	350	308	420	203.8		
MTR 32-13/13	30	1813	993	209	611	396	-	400	315	265	288.5	-	-	-	-	-	-	-	-	-	-		
MTR 32-14/14	30	1883	1063	209	611	396	-	400	315	265	288.8	-	-	-	-	-	-	-	-	-	-		

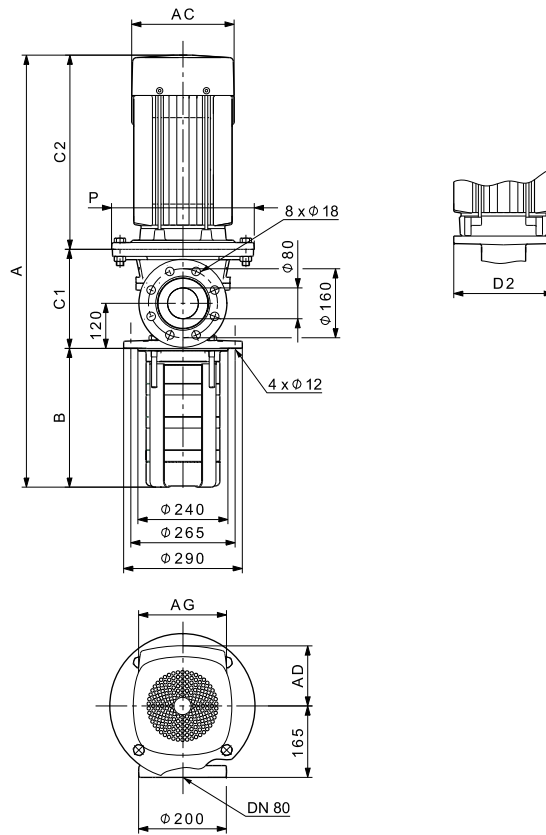
The maximum immersion depth is 1343 mm. See page 164.
 For information about electrical data, see section *Motor data* on page 150.

MTR, MTRE 45, 50 Hz



TM01 4303 2213

Dimensional sketches



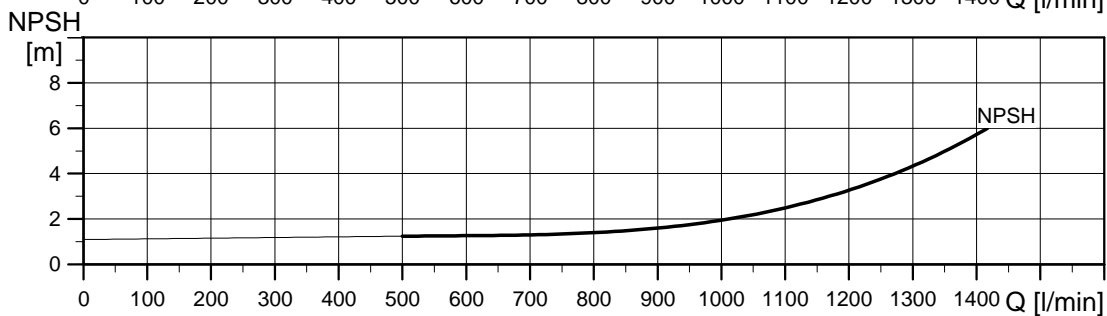
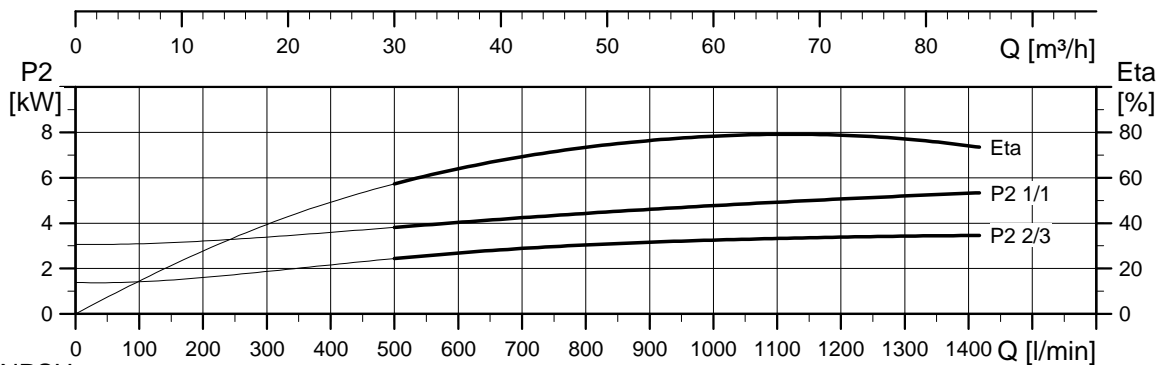
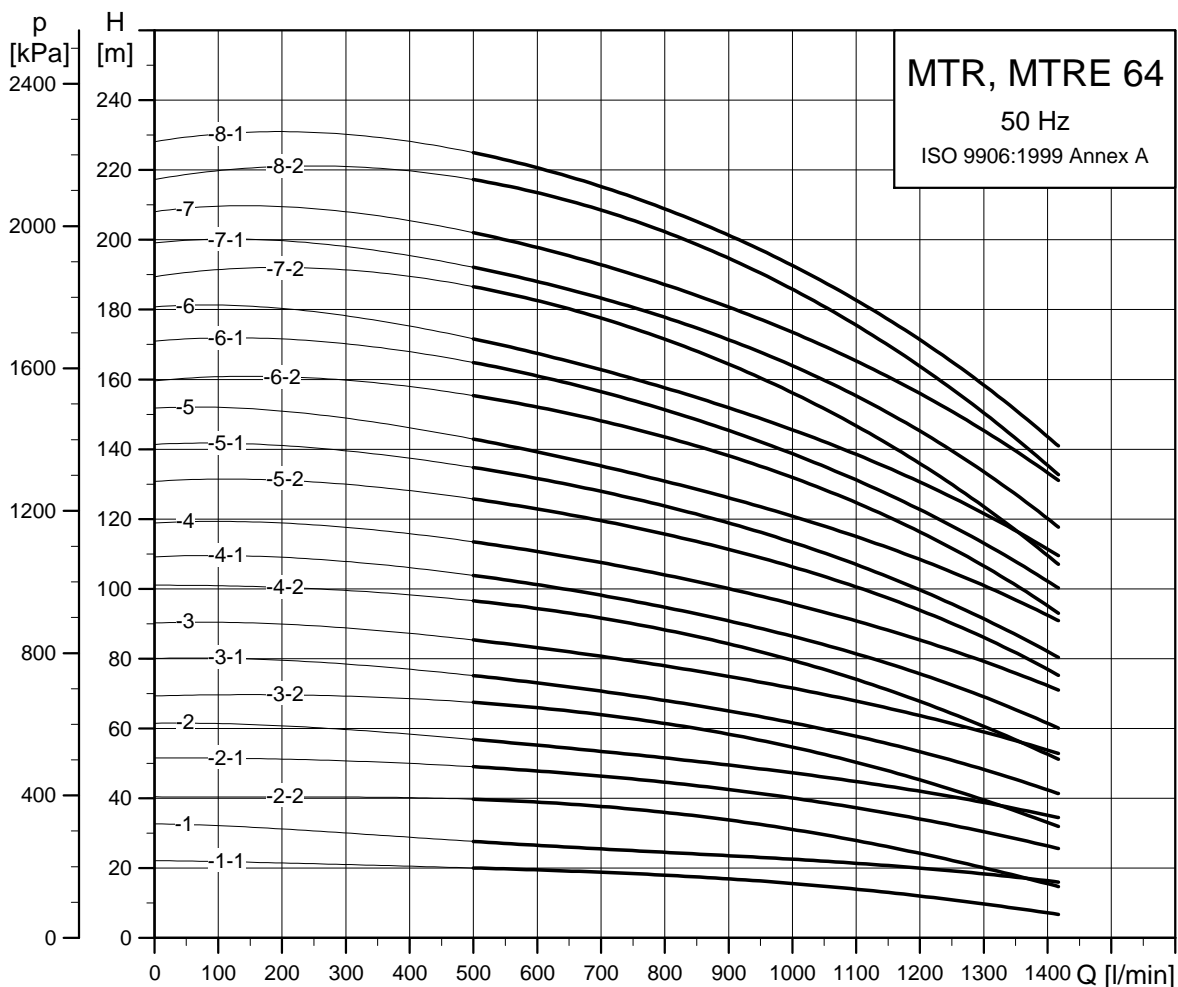
TM04 2792 4614

Dimensions and weights

Pump type	P2 [kW]	MTR										MTRE									
		Dimensions [mm]										Net weight [kg]	Dimensions [mm]						Net weight [kg]		
		A	B	C1	C2	AC	D2	P	AD	AG	A		B	C1	C2	AC	D2	P		AD	AG
MTR, MTRE 45-2/1-1	3	748	244	169	335	198	198	-	120	162	66.8	747	244	169	334	191	198	-	201	291	64.1
MTR, MTRE 45-2/1	4	785	244	169	372	220	198	-	134	202	78.5	747	244	169	334	191	198	-	201	291	71.7
MTR, MTRE 45-2/2-2	5.5	875	244	240	391	220	-	300	134	202	92.2	849	244	240	365	191	-	300	201	291	89.1
MTR, MTRE 45-2/2	7.5	863	244	240	379	260	-	300	159	203	102	873	244	240	389	255	-	300	237	346	95.2
MTR 45-3/3-2	11	1035	324	240	471	314	-	350	204	243	140.3	-	-	-	-	-	-	-	-	-	-
MTR, MTRE 45-3/3	11	1035	324	240	471	314	-	350	204	243	140.3	970	324	240	406	255	-	350	237	346	114.7
MTR 45-4/4-2	15	1115	404	240	471	314	-	350	204	243	152.4	-	-	-	-	-	-	-	-	-	-
MTR, MTRE 45-4/4	15	1115	404	240	471	314	-	350	204	243	152.4	1115	404	240	471	314	-	350	308	420	185.6
MTR 45-5/5-2	18.5	1239	484	240	515	314	-	350	204	243	165.4	-	-	-	-	-	-	-	-	-	-
MTR, MTRE 45-5/5	18.5	1239	484	240	515	314	-	350	204	243	165.4	1239	484	240	515	314	-	350	308	420	197.9
MTR 45-6/6-2	22	1345	564	240	541	314	-	350	204	243	180.9	-	-	-	-	-	-	-	-	-	-
MTR, MTRE 45-6/6	22	1345	564	240	541	314	-	350	204	243	180.9	1345	564	240	541	314	-	350	308	420	211.2
MTR 45-7/7-2	30	1495	644	240	611	396	-	400	315	265	296	-	-	-	-	-	-	-	-	-	-
MTR 45-7/7	30	1495	644	240	611	396	-	400	315	265	296	-	-	-	-	-	-	-	-	-	-
MTR 45-8/8-2	30	1575	724	240	611	396	-	400	315	265	296.3	-	-	-	-	-	-	-	-	-	-
MTR 45-8/8	30	1575	724	240	611	396	-	400	315	265	296.3	-	-	-	-	-	-	-	-	-	-
MTR 45-9/9-2	30	1655	804	240	611	396	-	400	315	265	296.6	-	-	-	-	-	-	-	-	-	-
MTR 45-9/9	37	1680	804	240	636	396	-	400	315	265	321.6	-	-	-	-	-	-	-	-	-	-
MTR 45-10/10-2	37	1760	884	240	636	396	-	400	315	265	321.9	-	-	-	-	-	-	-	-	-	-
MTR 45-10/10	37	1760	884	240	636	396	-	400	315	265	321.9	-	-	-	-	-	-	-	-	-	-
MTR 45-11/11-2	45	1931	964	259	708	449	-	450	338	266	389.6	-	-	-	-	-	-	-	-	-	-
MTR 45-11/11	45	1931	964	259	708	449	-	450	338	266	389.6	-	-	-	-	-	-	-	-	-	-
MTR 45-12/12-2	45	2011	1044	259	708	449	-	450	338	266	389.9	-	-	-	-	-	-	-	-	-	-
MTR 45-12/12	45	2011	1044	259	708	449	-	450	338	266	389.9	-	-	-	-	-	-	-	-	-	-
MTR 45-13/13-2	45	2091	1124	259	708	449	-	450	338	266	390.2	-	-	-	-	-	-	-	-	-	-

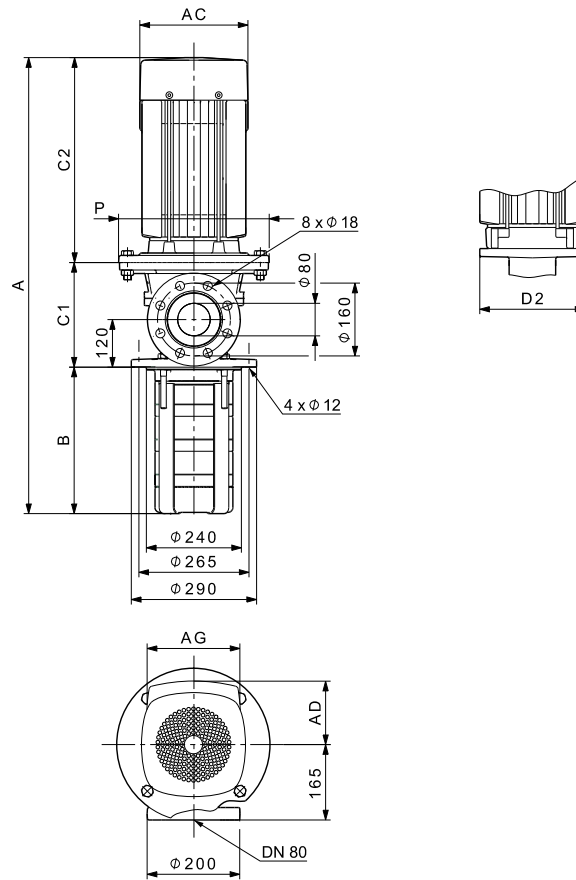
The maximum immersion depth is 1444 mm. See page 164.
For information about electrical data, see section *Motor data* on page 150.

MTR, MTRE 64, 50 Hz



TM01 4304 2213

Dimensional sketches



TM04 2792 4614

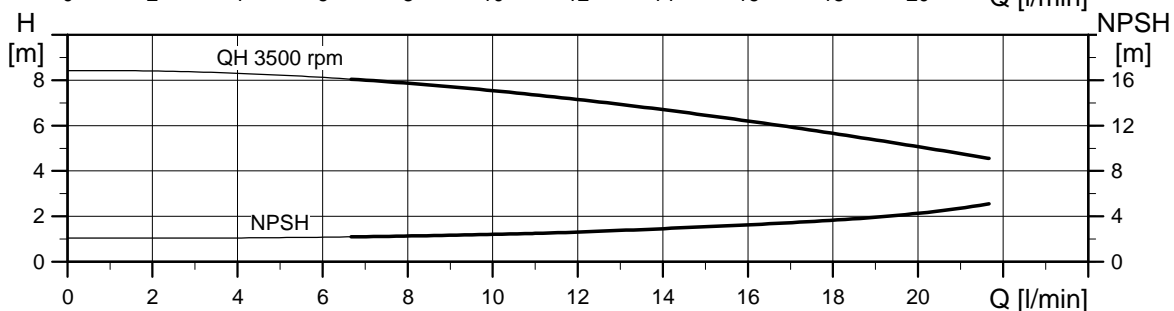
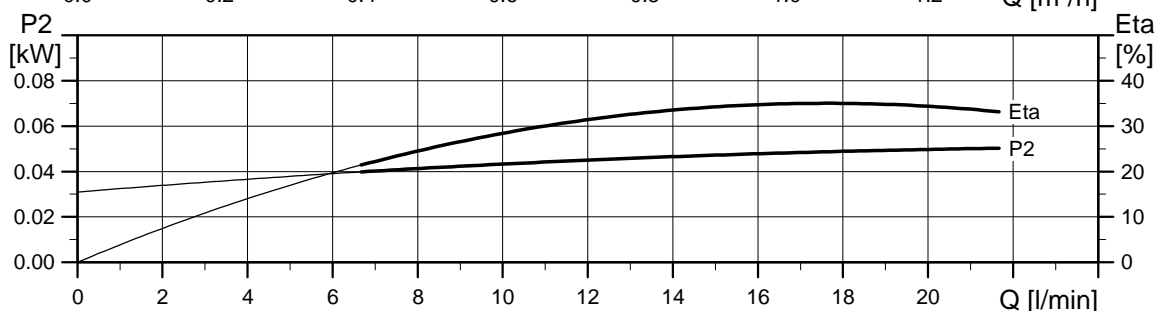
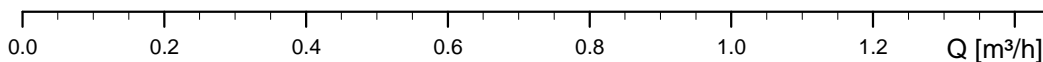
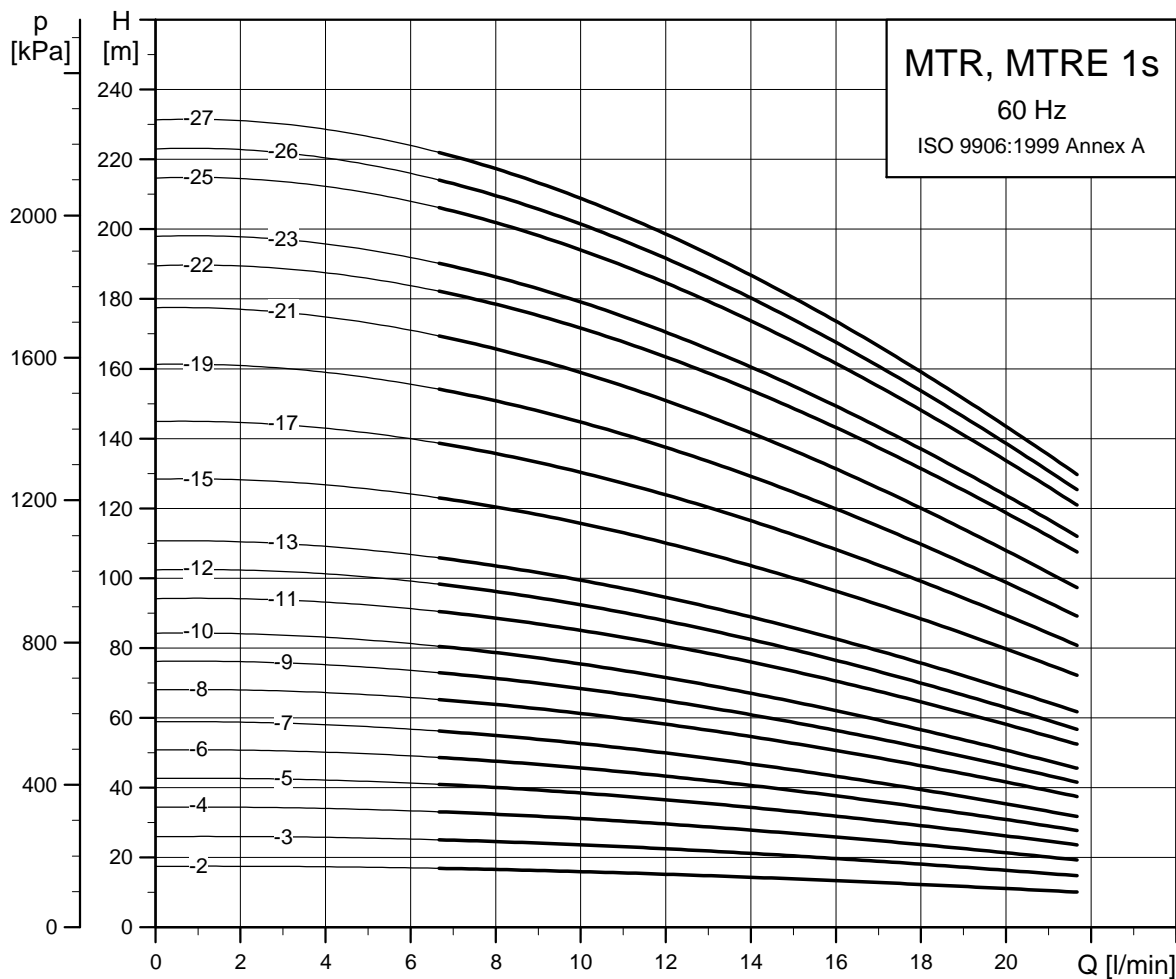
Dimensions and weights

Pump type	P2 [kW]	MTR										MTRE									
		Dimensions [mm]										Dimensions [mm]							Net weight [kg]		
		A	B	C1	C2	AC	D2	P	AD	AG	A	B	C1	C2	AC	D2	P	AD		AG	
MTR, MTRE 64-2/1-1	4	790	249	169	372	220	198	-	134	202	81	752	249	169	334	191	198	-	201	291	74.2
MTR, MTRE 64-2/1	5.5	880	249	240	391	220	-	300	134	202	94.7	854	249	240	365	191	-	300	201	291	91.6
MTR, MTRE 64-2/2-2	7.5	868	249	240	379	260	-	350	159	203	104.5	878	249	240	389	255	-	300	237	346	97.7
MTR 64-2/2-1	11	960	249	240	471	314	-	350	204	243	142.5	-	-	-	-	-	-	-	-	-	-
MTR, MTRE 64-2/2	11	960	249	240	471	314	-	350	204	243	142.5	895	249	240	406	255	-	350	237	346	116.9
MTR 64-3/3-2	15	1043	332	240	471	314	-	350	204	243	154.6	-	-	-	-	-	-	-	-	-	-
MTR, MTRE 64-3/3-1	15	1043	332	240	471	314	-	350	204	243	154.6	1043	332	240	471	314	-	350	308	420	187.8
MTR, MTRE 64-3/3	18.5	1087	332	240	515	314	-	350	204	243	167.3	1087	332	240	515	314	-	350	308	420	199.8
MTR 64-4/4-2	18.5	1169	414	240	515	314	-	350	204	243	167.7	-	-	-	-	-	-	-	-	-	-
MTR 64-4/4-1	22	1195	414	240	541	314	-	350	204	243	182.9	-	-	-	-	-	-	-	-	-	-
MTR, MTRE 64-4/4	22	1195	414	240	541	314	-	350	204	243	182.9	1195	414	240	541	314	-	350	308	420	213.2
MTR 64-5/5-2	30	1348	497	240	611	396	-	400	315	265	298	-	-	-	-	-	-	-	-	-	-
MTR 64-5/5-1	30	1348	497	240	611	396	-	400	315	265	298	-	-	-	-	-	-	-	-	-	-
MTR 64-5/5	30	1348	497	240	611	396	-	400	315	265	298	-	-	-	-	-	-	-	-	-	-
MTR 64-6/6-2	30	1430	579	240	611	396	-	400	315	265	298.3	-	-	-	-	-	-	-	-	-	-
MTR 64-6/6-1	37	1455	579	240	636	396	-	400	315	265	323.3	-	-	-	-	-	-	-	-	-	-
MTR 64-6/6	37	1455	579	240	636	396	-	400	315	265	323.3	-	-	-	-	-	-	-	-	-	-
MTR 64-7/7-2	37	1538	662	240	636	396	-	400	315	265	323.6	-	-	-	-	-	-	-	-	-	-
MTR 64-7/7-1	37	1538	662	240	636	396	-	400	315	265	323.6	-	-	-	-	-	-	-	-	-	-
MTR 64-7/7	45	1629	662	259	708	449	-	450	338	266	391	-	-	-	-	-	-	-	-	-	-
MTR 64-8/8-2	45	1711	744	259	708	449	-	450	338	266	391.3	-	-	-	-	-	-	-	-	-	-
MTR 64-8/8-1	45	1711	744	259	708	449	-	450	338	266	391.3	-	-	-	-	-	-	-	-	-	-

The maximum immersion depth is 1487 mm. See page 164.
 For information about electrical data, see section *Motor data* on page 150.

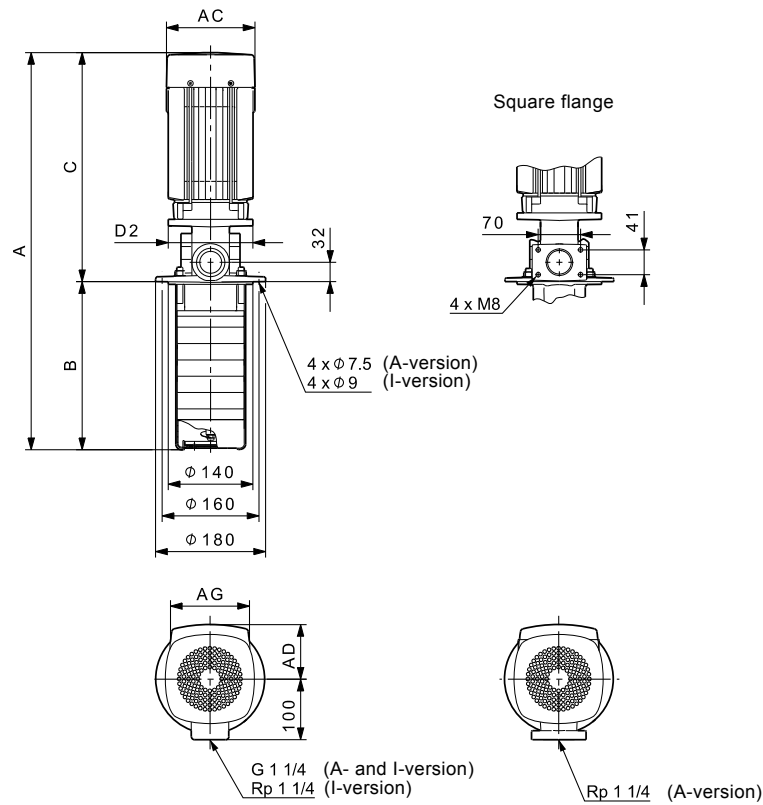
MTR, MTRE, 60 Hz

MTR, MTRE 1s, 60 Hz



TM02 7846 4-103

Dimensional sketches



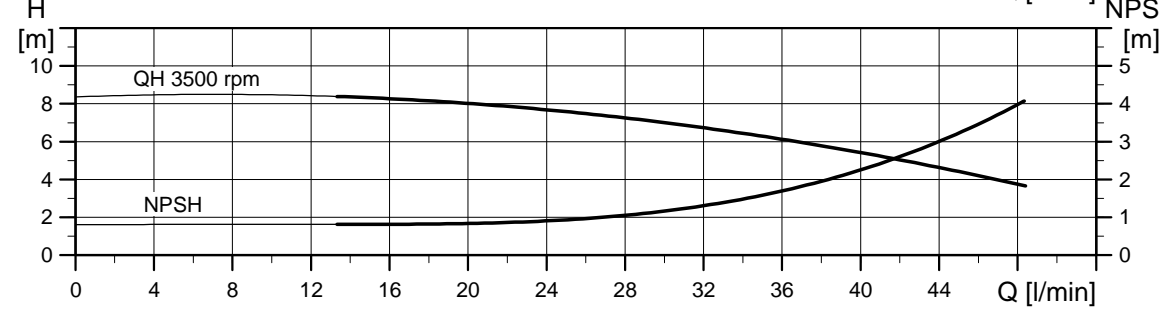
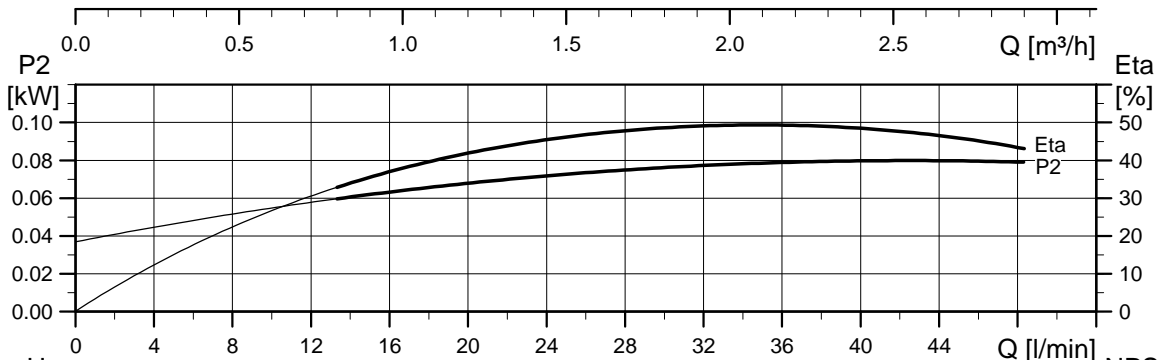
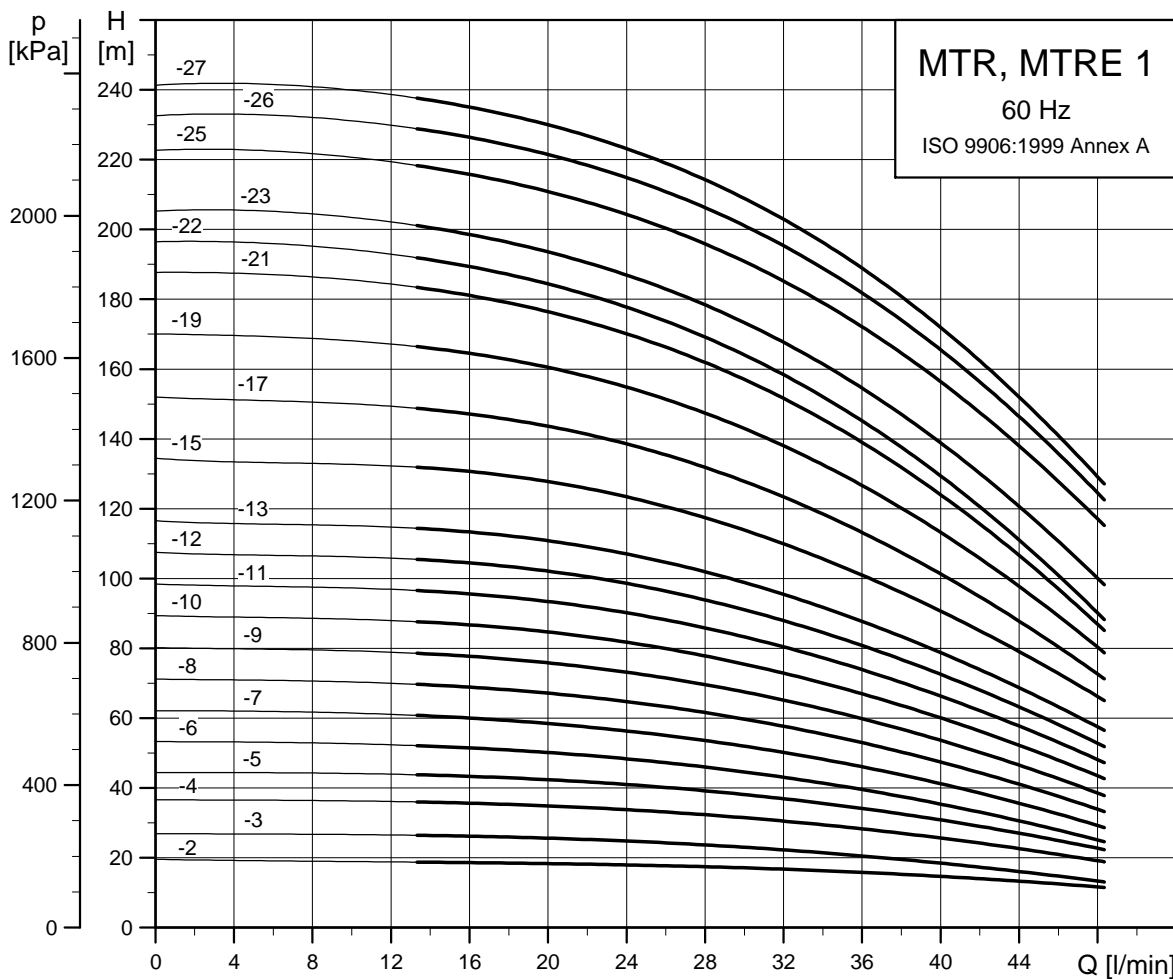
TM03 2677 2413

Dimensions and weights

Pump type	P2 [kW]	MTR								Net weight [kg]	MTRE							
		Dimensions [mm]									Dimensions [mm]							
		A	B	C	AC	D2	AD	AG	A		B	C	AC	D2	AD	AG	Net weight [kg]	
MTR 1s-2/2	0.37	462	160	302	141	140	109	82	12.9	-	-	-	-	-	-	-	-	
MTR 1s-3/3	0.37	480	178	302	141	140	109	82	13	-	-	-	-	-	-	-	-	
MTR, MTRE 1s-4/4	0.37	498	196	302	141	140	109	82	13	561	196	365	122	140	158	268	17.4	
MTR 1s-5/5	0.37	516	214	302	141	140	109	82	13	-	-	-	-	-	-	-	-	
MTR 1s-6/6	0.37	534	232	302	141	140	109	82	13	-	-	-	-	-	-	-	-	
MTR, MTRE 1s-7/7	0.37	552	250	302	141	140	109	82	13.1	615	250	365	122	140	158	268	17.5	
MTR 1s-8/8	0.55	570	268	302	141	140	109	82	12.5	-	-	-	-	-	-	-	-	
MTR 1s-9/9	0.55	588	286	302	141	140	109	82	12.6	-	-	-	-	-	-	-	-	
MTR, MTRE 1s-10/10	0.55	606	304	302	141	140	109	82	12.6	669	304	365	122	140	158	268	17.5	
MTR 1s-11/11	0.75	664	322	342	141	140	109	82	14.9	-	-	-	-	-	-	-	-	
MTR 1s-12/12	0.75	682	340	342	141	140	109	82	14.9	-	-	-	-	-	-	-	-	
MTR, MTRE 1s-13/13	0.75	700	358	342	141	140	109	82	14.9	723	358	365	122	140	158	268	17.7	
MTR 1s-15/15	1.1	756	394	362	141	140	109	82	17	-	-	-	-	-	-	-	-	
MTR 1s-17/17	1.1	792	430	362	141	140	109	82	17	-	-	-	-	-	-	-	-	
MTR 1s-19/19	1.1	828	466	362	141	140	109	82	17.1	-	-	-	-	-	-	-	-	
MTR, MTRE 1s-21/21	1.1	864	502	362	141	140	109	82	17.1	867	502	365	122	140	158	268	18.7	
MTR 1s-22/22	1.5	912	520	392	178	140	110	162	25.2	-	-	-	-	-	-	-	-	
MTR, MTRE 1s-23/23	1.5	930	538	392	178	140	110	162	25.3	923	538	385	122	140	158	268	21.6	
MTR 1s-25/25	1.5	966	574	392	178	140	110	162	25.3	-	-	-	-	-	-	-	-	
MTR 1s-26/26	1.5	984	592	392	178	140	110	162	25.3	-	-	-	-	-	-	-	-	
MTR, MTRE 1s-27/27	1.5	1002	610	392	178	140	110	162	25.4	995	610	385	122	140	158	268	21.7	

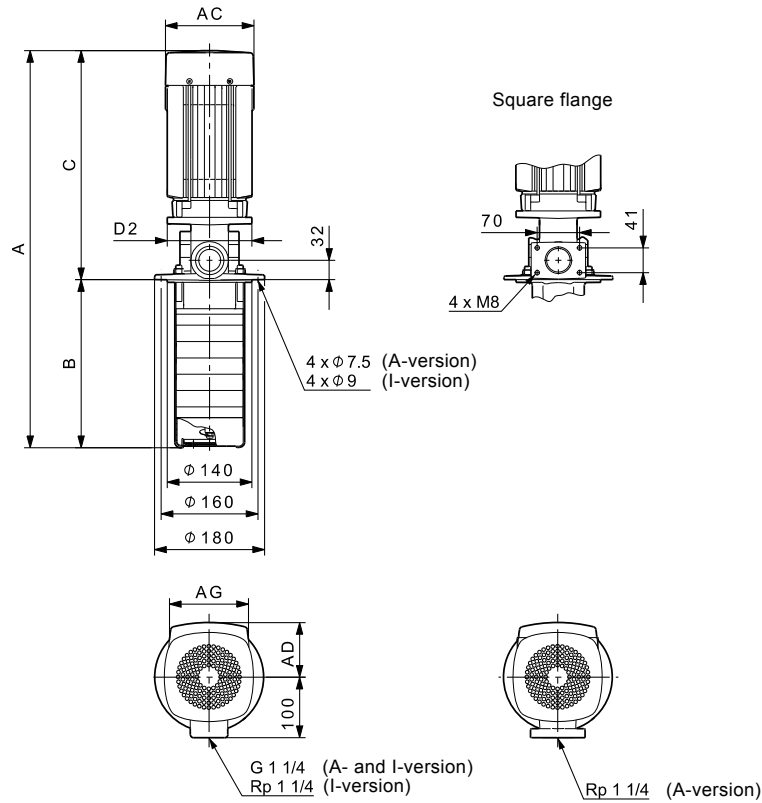
The maximum immersion depth is 1006 mm. See page 164.
For information about electrical data, see section Motor data on page 150.

MTR, MTRE 1, 60 Hz



TM02 7847 4303

Dimensional sketches



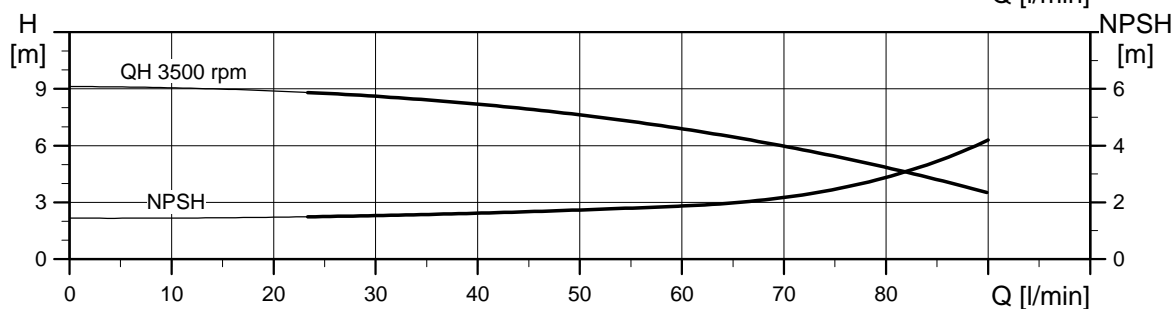
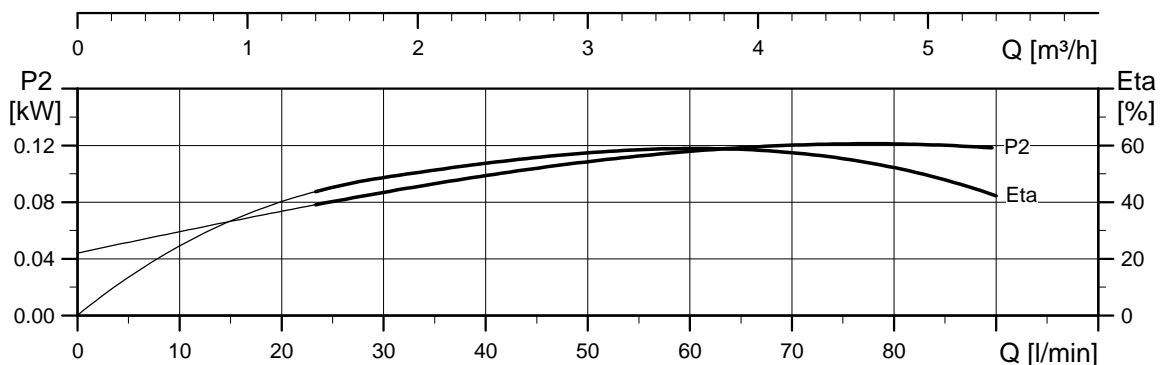
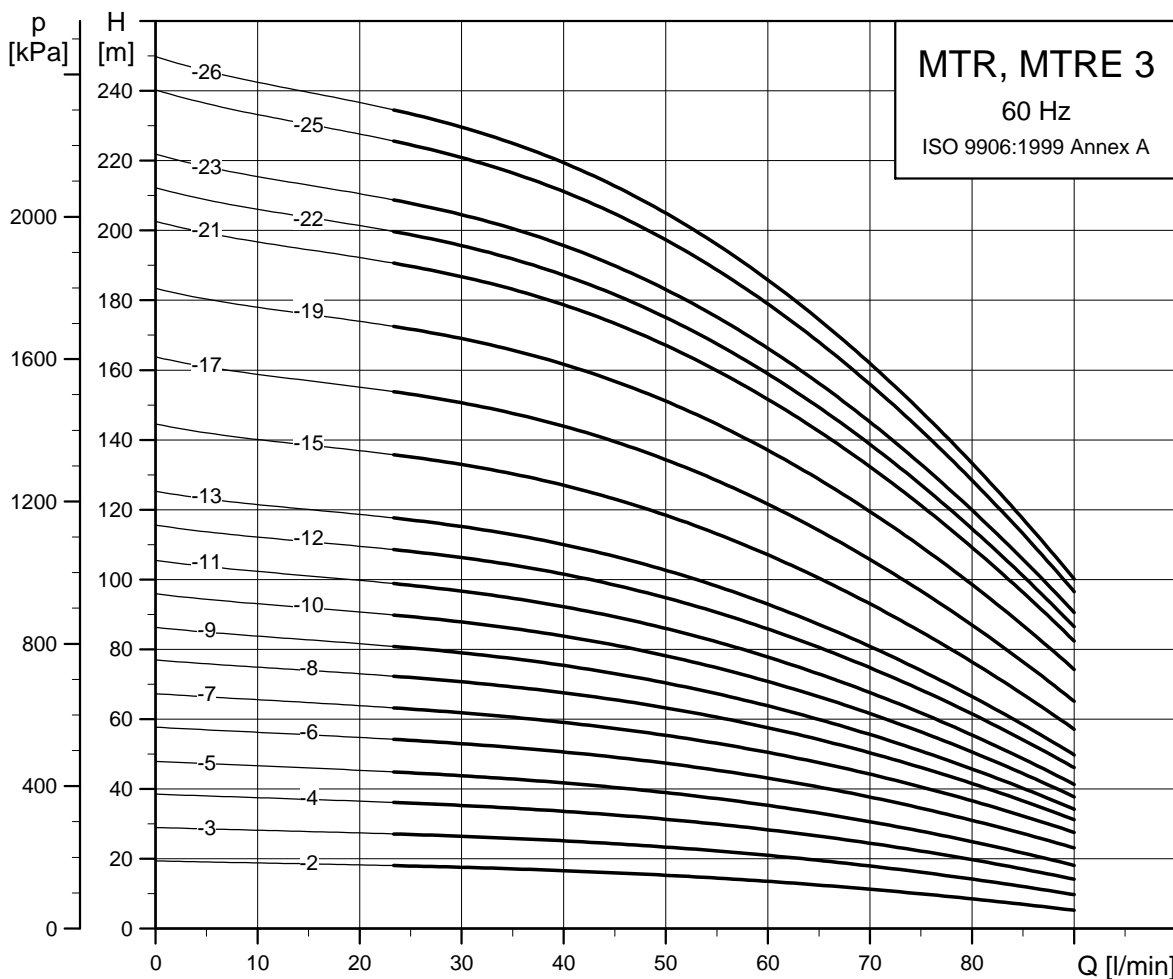
TM03 2677 2413

Dimensions and weights

Pump type	P2 [kW]	MTR							Net weight [kg]	MTRE							Net weight [kg]	
		Dimensions [mm]								Dimensions [mm]								
		A	B	C	AC	D2	AD	AG		A	B	C	AC	D2	AD	AG		
MTR 1-2/2	0.37	462	160	302	141	140	109	82	12.9	-	-	-	-	-	-	-	-	-
MTR 1-3/3	0.37	480	178	302	141	140	109	82	13	-	-	-	-	-	-	-	-	-
MTR, MTRE 1-4/4	0.37	498	196	302	141	140	109	82	13	561	196	365	122	140	158	268	17.4	
MTR 1-5/5	0.55	516	214	302	141	140	109	82	12.5	-	-	-	-	-	-	-	-	-
MTR 1-6/6	0.55	534	232	302	141	140	109	82	12.5	-	-	-	-	-	-	-	-	-
MTR, MTRE 1-7/7	0.75	592	250	342	141	140	109	82	14.8	615	250	365	122	140	158	268	17.5	
MTR 1-8/8	0.75	610	268	342	141	140	109	82	14.8	-	-	-	-	-	-	-	-	-
MTR, MTRE 1-9/9	0.75	628	286	342	141	140	109	82	14.8	651	286	365	122	140	158	268	17.6	
MTR 1-10/10	1.1	666	304	362	141	140	109	82	16.9	-	-	-	-	-	-	-	-	-
MTR 1-11/11	1.1	684	322	362	141	140	109	82	16.9	-	-	-	-	-	-	-	-	-
MTR 1-12/12	1.1	702	340	362	141	140	109	82	16.9	-	-	-	-	-	-	-	-	-
MTR, MTRE 1-13/13	1.1	720	358	362	141	140	109	82	16.9	723	358	365	122	140	158	268	18.5	
MTR 1-15/15	1.5	786	394	392	178	140	110	162	25.1	-	-	-	-	-	-	-	-	-
MTR, MTRE 1-17/17	1.5	822	430	392	178	140	110	162	25.1	815	430	385	122	140	158	268	21.5	
MTR 1-19/19	2.2	898	466	432	178	140	110	162	28.3	-	-	-	-	-	-	-	-	-
MTR 1-21/21	2.2	934	502	432	178	140	110	162	28.3	-	-	-	-	-	-	-	-	-
MTR, MTRE 1-22/22	2.2	952	520	432	178	140	110	162	28.3	905	520	385	122	140	158	268	23	
MTR 1-23/23	2.2	970	538	432	178	140	110	162	28.4	-	-	-	-	-	-	-	-	-
MTR 1-25/25	2.2	1006	574	432	178	140	110	162	28.4	-	-	-	-	-	-	-	-	-
MTR 1-26/26	3	1038	592	446	198	160	120	162	32.4	-	-	-	-	-	-	-	-	-
MTR, MTRE 1-27/27	3	1056	610	446	198	160	120	162	32.5	1055	610	445	191	160	201	291	29.7	

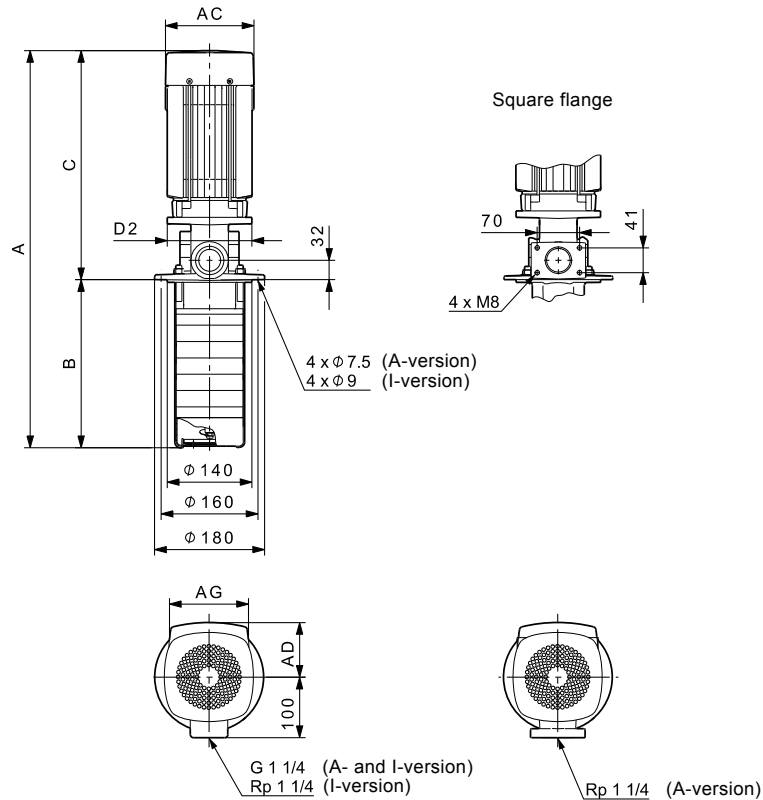
The maximum immersion depth is 1006 mm. See page 164.
 For information about electrical data, see section [Motor data](#) on page 150.

MTR, MTRE 3, 60 Hz



TM02 7848 4303

Dimensional sketches



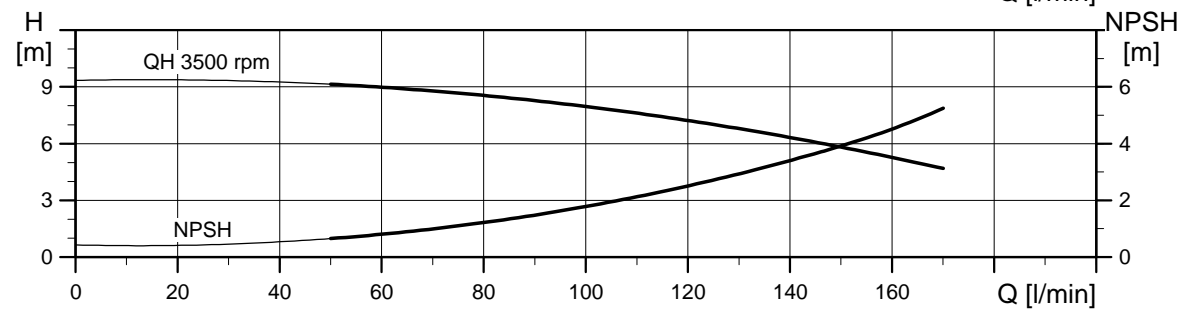
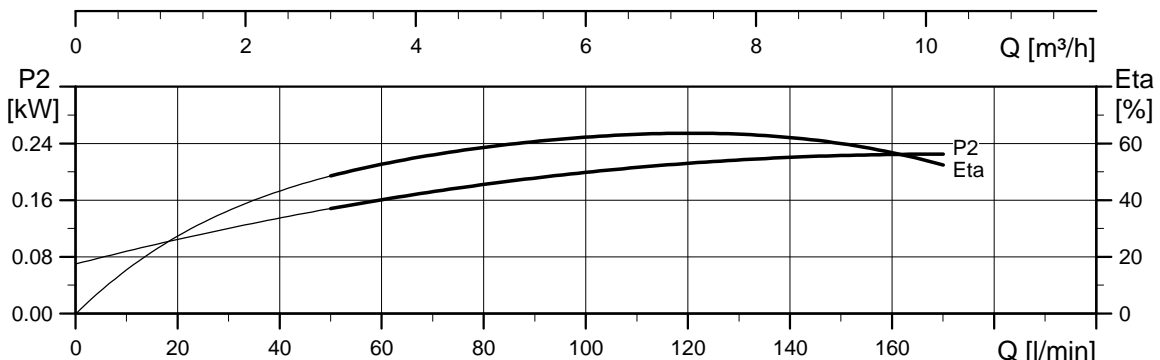
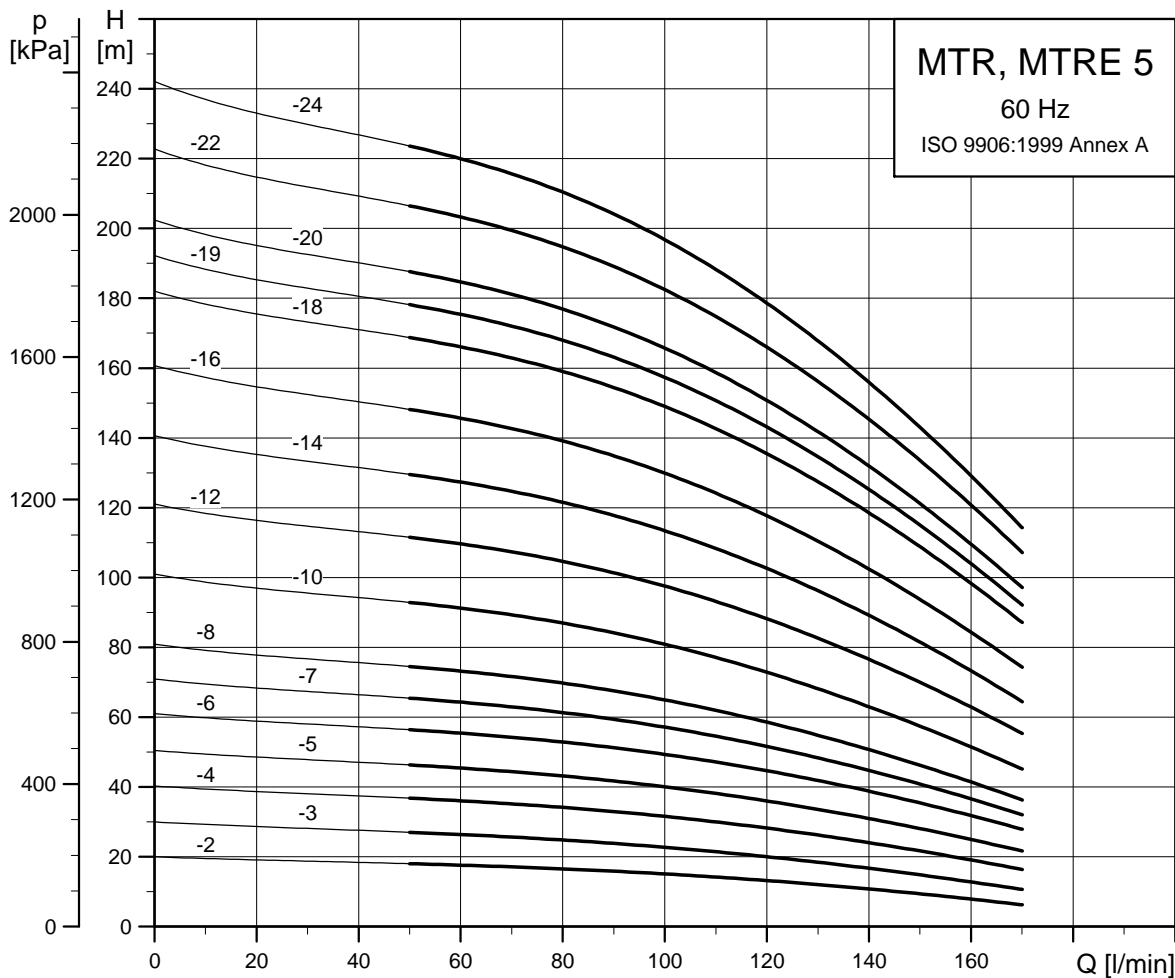
TM03 2677 2413

Dimensions and weights

Pump type	P2 [kW]	MTR								MTRE									
		Dimensions [mm]								Net weight [kg]	Dimensions [mm]								Net weight [kg]
		A	B	C	AC	D2	AD	AG	A		B	C	AC	D2	AD	AG			
MTR 3-2/2	0.37	462	160	302	141	140	109	82	12.9	-	-	-	-	-	-	-	-	-	
MTR, MTRE 3-3/3	0.55	480	178	302	141	140	109	82	12.4	543	178	365	122	140	158	268	17.4		
MTR, MTRE 3-4/4	0.55	498	196	302	141	140	109	82	12.5	561	196	365	122	140	158	268	17.4		
MTR 3-5/5	0.75	556	214	342	141	140	109	82	14.8	-	-	-	-	-	-	-	-		
MTR, MTRE 3-6/6	1.1	594	232	362	141	140	109	82	16.8	597	232	365	122	140	158	268	18.3		
MTR 3-7/7	1.1	612	250	362	141	140	109	82	16.8	-	-	-	-	-	-	-	-		
MTR 3-8/8	1.1	630	268	362	141	140	109	82	16.8	-	-	-	-	-	-	-	-		
MTR 3-9/9	1.5	678	286	392	178	140	110	162	24.9	-	-	-	-	-	-	-	-		
MTR 3-10/10	1.5	696	304	392	178	140	110	162	25	-	-	-	-	-	-	-	-		
MTR, MTRE 3-11/11	1.5	714	322	392	178	140	110	162	25	707	322	385	122	140	158	268	21.3		
MTR 3-12/12	2.2	772	340	432	178	140	110	162	28.1	-	-	-	-	-	-	-	-		
MTR 3-13/13	2.2	790	358	432	178	140	110	162	28.1	-	-	-	-	-	-	-	-		
MTR 3-15/15	2.2	826	394	432	178	140	110	162	28.2	-	-	-	-	-	-	-	-		
MTR, MTRE 3-17/17	2.2	862	430	432	178	140	110	162	28.2	815	430	385	122	140	158	268	22.8		
MTR 3-19/19	3	912	466	446	198	160	120	162	32.3	-	-	-	-	-	-	-	-		
MTR 3-21/21	3	948	502	446	198	160	120	162	32.3	-	-	-	-	-	-	-	-		
MTR 3-22/22	3	966	520	446	198	160	120	162	32.3	-	-	-	-	-	-	-	-		
MTR, MTRE 3-23/23	3	984	538	446	198	160	120	162	32.4	983	538	445	191	160	201	291	29.6		
MTR 3-25/25	4	1057	574	483	220	160	134	202	44.1	-	-	-	-	-	-	-	-		
MTR, MTRE 3-26/26	4	1075	592	483	220	160	134	202	44.1	1037	592	445	191	160	201	291	37.3		

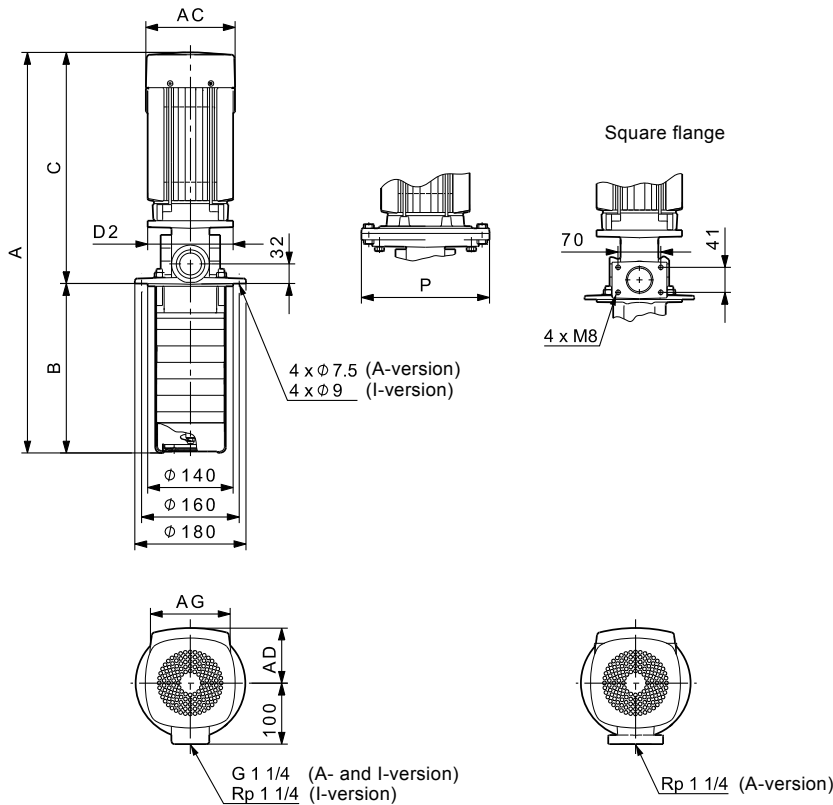
The maximum immersion depth is 1006 mm. See page 164.
 For information about electrical data, see section *Motor data* on page 150.

MTR, MTRE 5, 60 Hz



TM02 7849 4303

Dimensional sketches



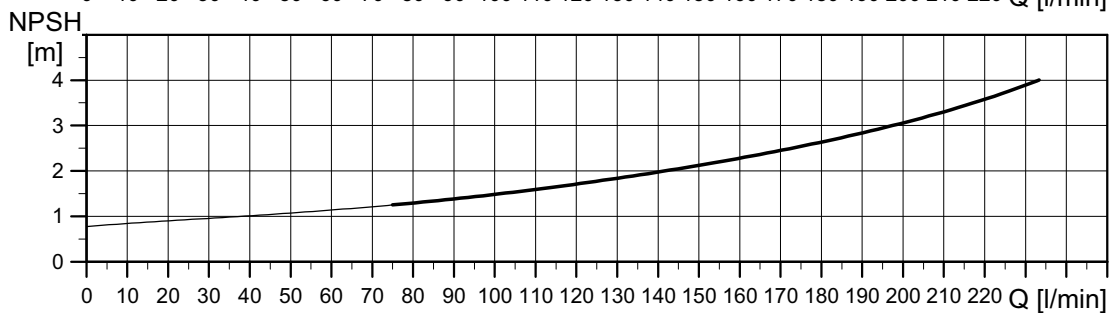
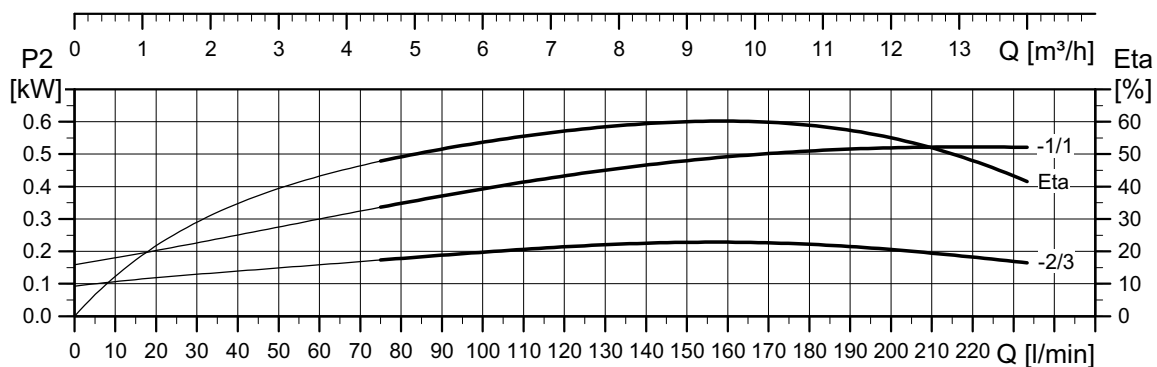
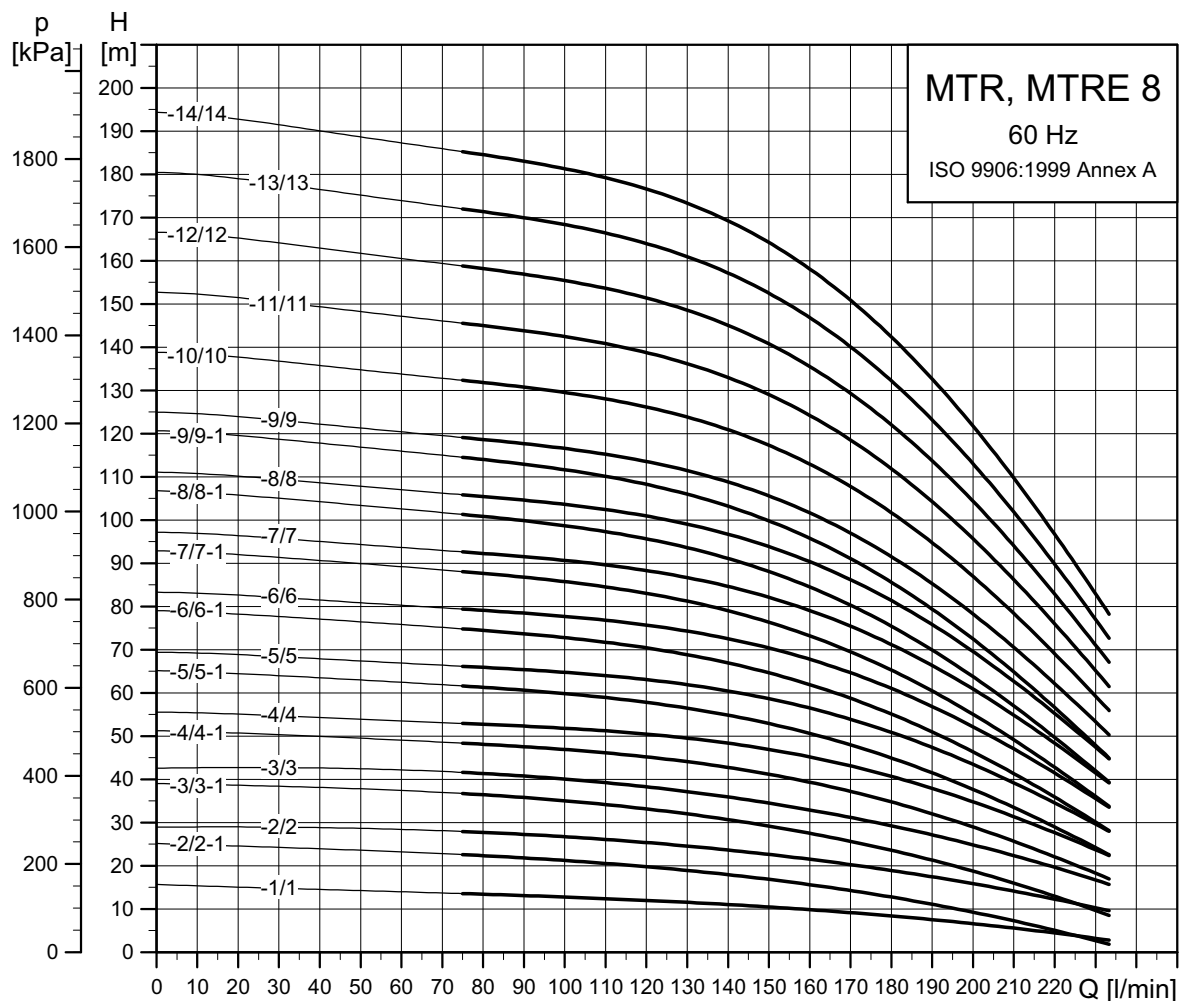
TM04 2789 2413

Dimensions and weights

Pump type	P2 [kW]	MTR									Net weight [kg]	MTRE							Net weight [kg]
		Dimensions [mm]										Dimensions [mm]							
		A	B	C	AC	D2	P	AD	AG	A		B	C	AC	D2	P	AD	AG	
MTR, MTRE 5-2/2	0.55	471	169	302	141	140	-	109	82	12.7	534	169	365	122	140	-	158	268	17.6
MTR 5-3/3	1.1	558	196	362	141	140	-	109	82	17	-	-	-	-	-	-	-	-	-
MTR, MTRE 5-4/4	1.1	585	223	362	141	140	-	109	82	17	588	223	365	122	140	-	158	268	18.6
MTR, MTRE 5-5/5	1.5	642	250	392	178	140	-	110	162	25.2	635	250	385	122	140	-	158	268	21.5
MTR 5-6/6	2.2	709	277	432	178	140	-	110	162	28.3	-	-	-	-	-	-	-	-	-
MTR 5-7/7	2.2	736	304	432	178	140	-	110	162	28.3	-	-	-	-	-	-	-	-	-
MTR, MTRE 5-8/8	2.2	763	331	432	178	140	-	110	162	28.4	716	331	385	122	140	-	158	268	23
MTR 5-10/10	3	831	385	446	198	160	-	120	162	32.4	-	-	-	-	-	-	-	-	-
MTR, MTRE 5-12/12	3	885	439	446	198	160	-	120	162	32.5	884	439	445	191	160	-	201	291	29.8
MTR 5-14/14	4	976	493	483	220	160	-	134	202	44.3	-	-	-	-	-	-	-	-	-
MTR, MTRE 5-16/16	4	1030	547	483	220	160	-	134	202	44.3	992	547	445	191	160	-	201	291	37.5
MTR 5-18/18	5.5	1128	601	527	220	-	300	134	202	61.6	-	-	-	-	-	-	-	-	-
MTR 5-19/19	5.5	1155	628	527	220	-	300	134	202	61.6	-	-	-	-	-	-	-	-	-
MTR 5-20/20	5.5	1182	655	527	220	-	300	134	202	61.7	-	-	-	-	-	-	-	-	-
MTR, MTRE 5-22/22	5.5	1236	709	527	220	-	300	134	202	61.7	1210	709	501	191	-	300	201	291	58.6
MTR, MTRE 5-24/24	7.5	1278	763	515	260	-	300	159	203	71.6	1288	763	525	255	-	300	237	346	64.8

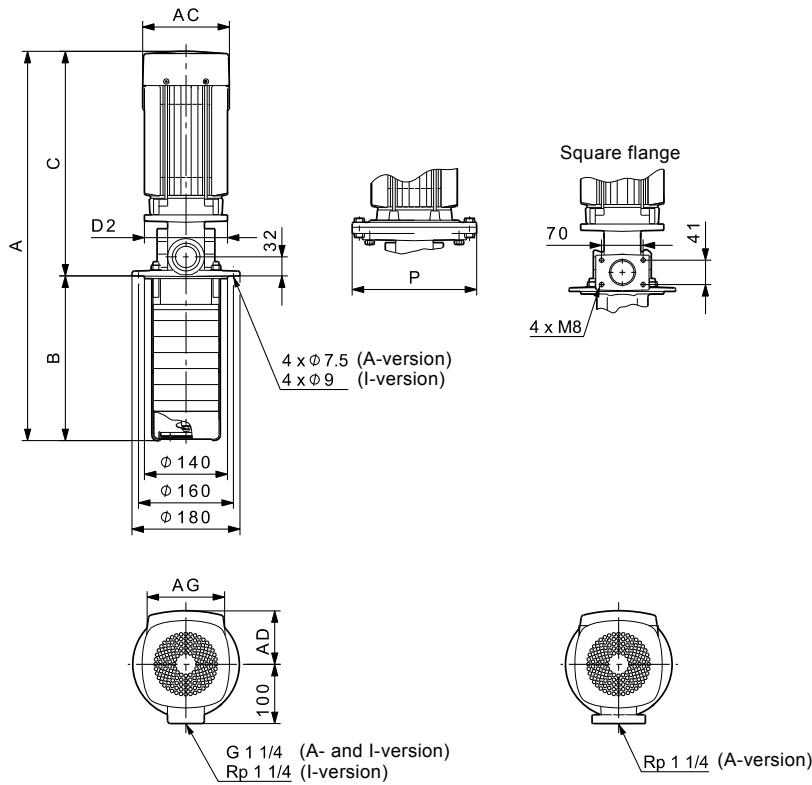
The maximum immersion depth is 1006 mm. See page 164.
For information about electrical data, see section Motor data on page 150.

MTR, MTRE 8, 60 Hz



TM06 2364 4114

Dimensional sketches



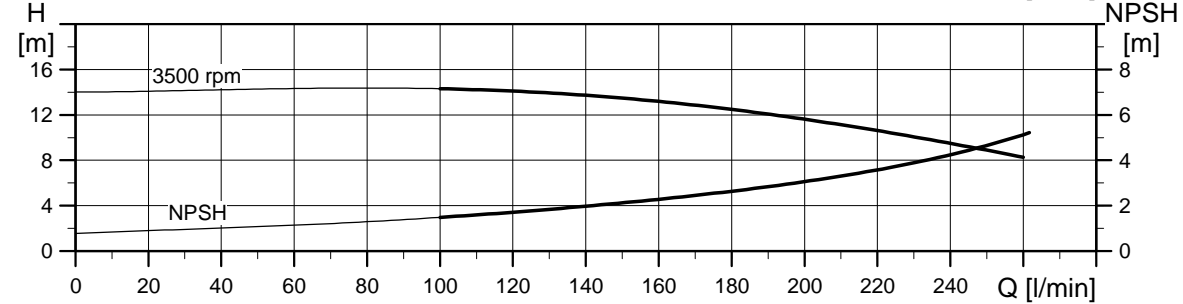
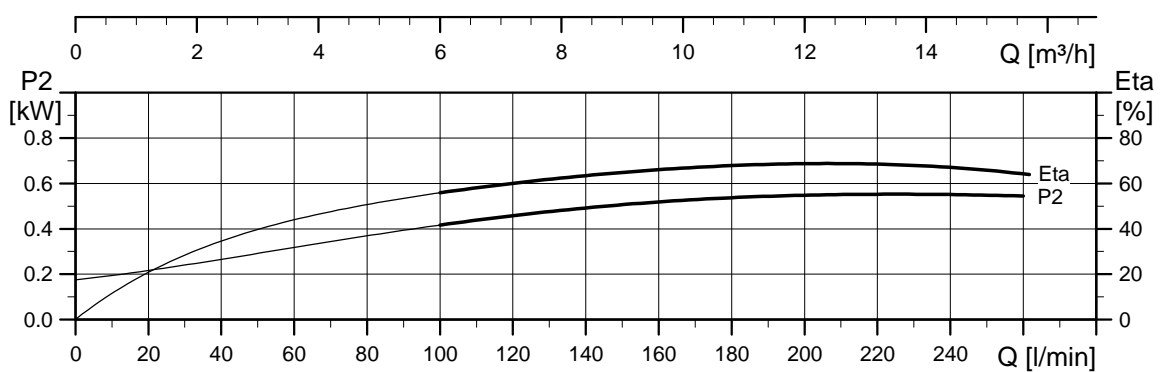
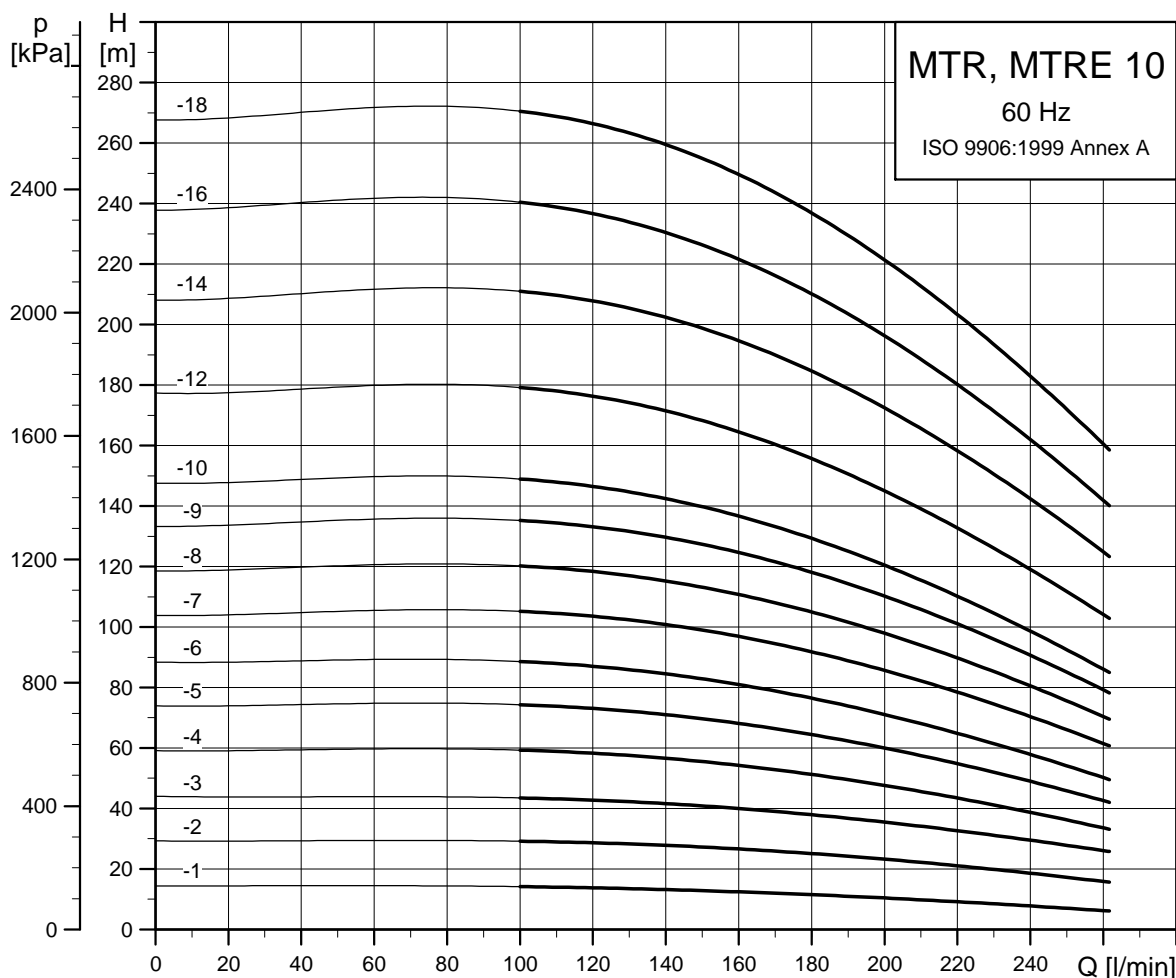
TM04 2790 2413

Dimensions and weights

Pump type	P2 [kW]	MTR									MTRE										
		Dimensions [mm]									Net weight [kg]	Dimensions [mm]									Net weight [kg]
		A	B	C	AC	D2	P	AD	AG	A		B	C	AC	D2	P	AD	AG			
MTR, MTRE 8-1/1	0.55	538	196	342	141	140	-	109	82	19	561	196	365	122	140	-	158	268	21.8		
MTR, MTRE 8-2/2-1	0.75	585	223	362	141	140	-	109	82	21	588	223	365	122	140	-	158	268	22.6		
MTR, MTRE 8-2/2	1.1	585	223	362	141	140	-	109	82	21	588	223	365	122	140	-	158	268	22.6		
MTR, MTRE 8-3/3-1	1.5	642	250	392	178	140	-	110	162	29.2	635	250	385	122	140	-	158	268	25.5		
MTR 8-3/3	2.2	682	250	432	178	140	-	110	162	32.3	-	-	-	-	-	-	-	-	-		
MTR 8-4/4-1	2.2	709	277	432	178	140	-	110	162	32.3	-	-	-	-	-	-	-	-	-		
MTR, MTRE 8-4/4	2.2	709	277	432	178	140	-	110	162	32.3	662	277	385	122	140	-	158	268	26.9		
MTR 8-5/5-1	3	750	304	446	198	160	-	120	162	36.3	-	-	-	-	-	-	-	-	-		
MTR 8-5/5	3	750	304	446	198	160	-	120	162	36.3	-	-	-	-	-	-	-	-	-		
MTR, MTRE 8-6/6-1	3	777	331	446	198	160	-	120	162	36.4	776	331	445	191	160	-	201	291	33.7		
MTR 8-6/6	4	814	331	483	220	160	-	134	202	48.1	-	-	-	-	-	-	-	-	-		
MTR 8-7/7-1	4	841	358	483	220	160	-	134	202	48.1	-	-	-	-	-	-	-	-	-		
MTR 8-7/7	4	841	358	483	220	160	-	134	202	48.1	-	-	-	-	-	-	-	-	-		
MTR, MTRE 8-8/8-1	4	868	385	483	220	160	-	134	202	48.1	830	385	445	191	160	-	201	291	41.3		
MTR 8-8/8	5.5	912	385	527	220	-	300	134	202	65.3	-	-	-	-	-	-	-	-	-		
MTR 8-9/9-1	5.5	939	412	527	220	-	300	134	202	65.4	-	-	-	-	-	-	-	-	-		
MTR 8-9/9	5.5	939	412	527	220	-	300	134	202	65.4	-	-	-	-	-	-	-	-	-		
MTR, MTRE 8-10/10	5.5	966	439	527	220	-	300	134	202	65.4	940	439	501	191	-	300	201	291	62.3		
MTR 8-11/11	7.5	981	466	515	260	-	300	159	203	75.2	-	-	-	-	-	-	-	-	-		
MTR 8-12/12	7.5	1008	493	515	260	-	300	159	203	75.3	-	-	-	-	-	-	-	-	-		
MTR 8-13/13	7.5	1035	520	515	260	-	300	159	203	75.3	-	-	-	-	-	-	-	-	-		
MTR, MTRE 8-14/14	7.5	1062	547	515	260	-	300	159	203	75.3	1072	547	525	255	-	300	237	346	68.5		

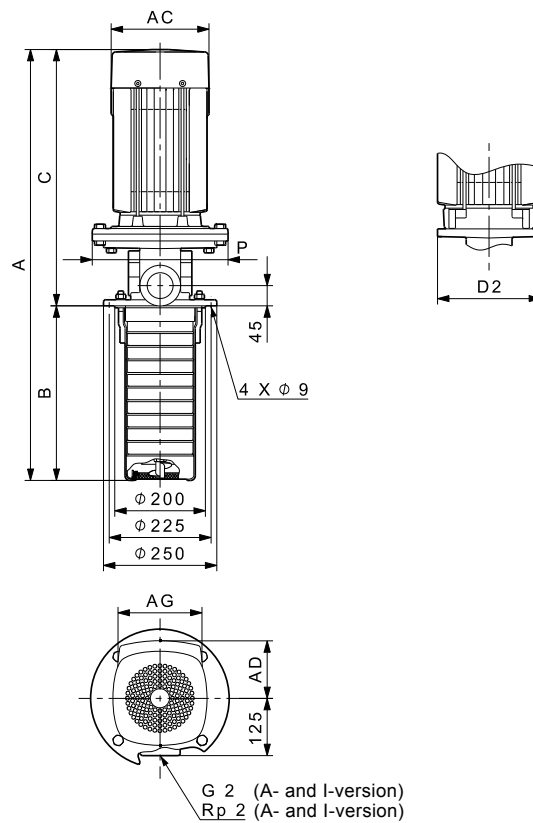
The maximum immersion depth is 1006 mm. See page 164.
 For information about electrical data, see section [Motor data](#) on page 150.

MTR, MTRE 10, 60 Hz



TM02 7650 4303

Dimensional sketches



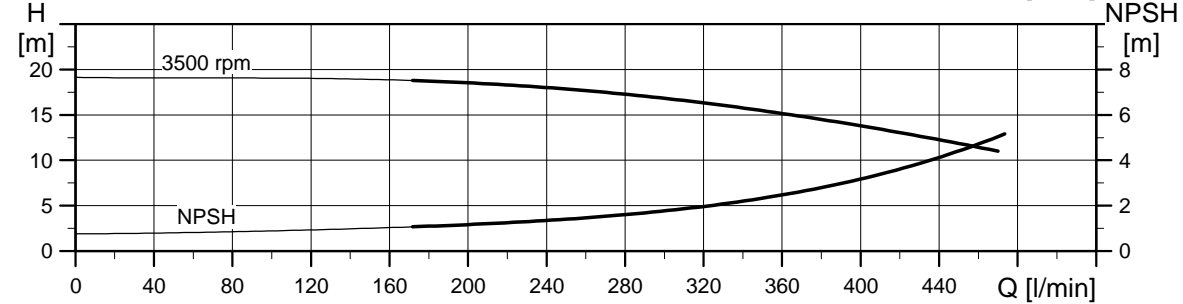
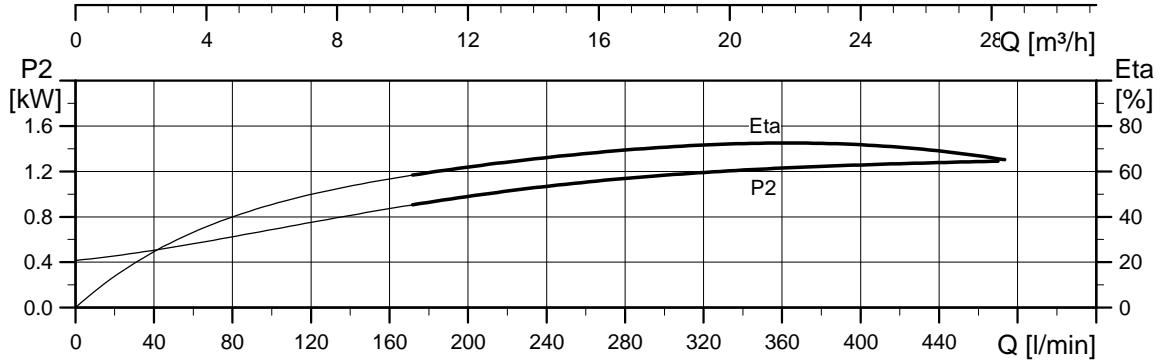
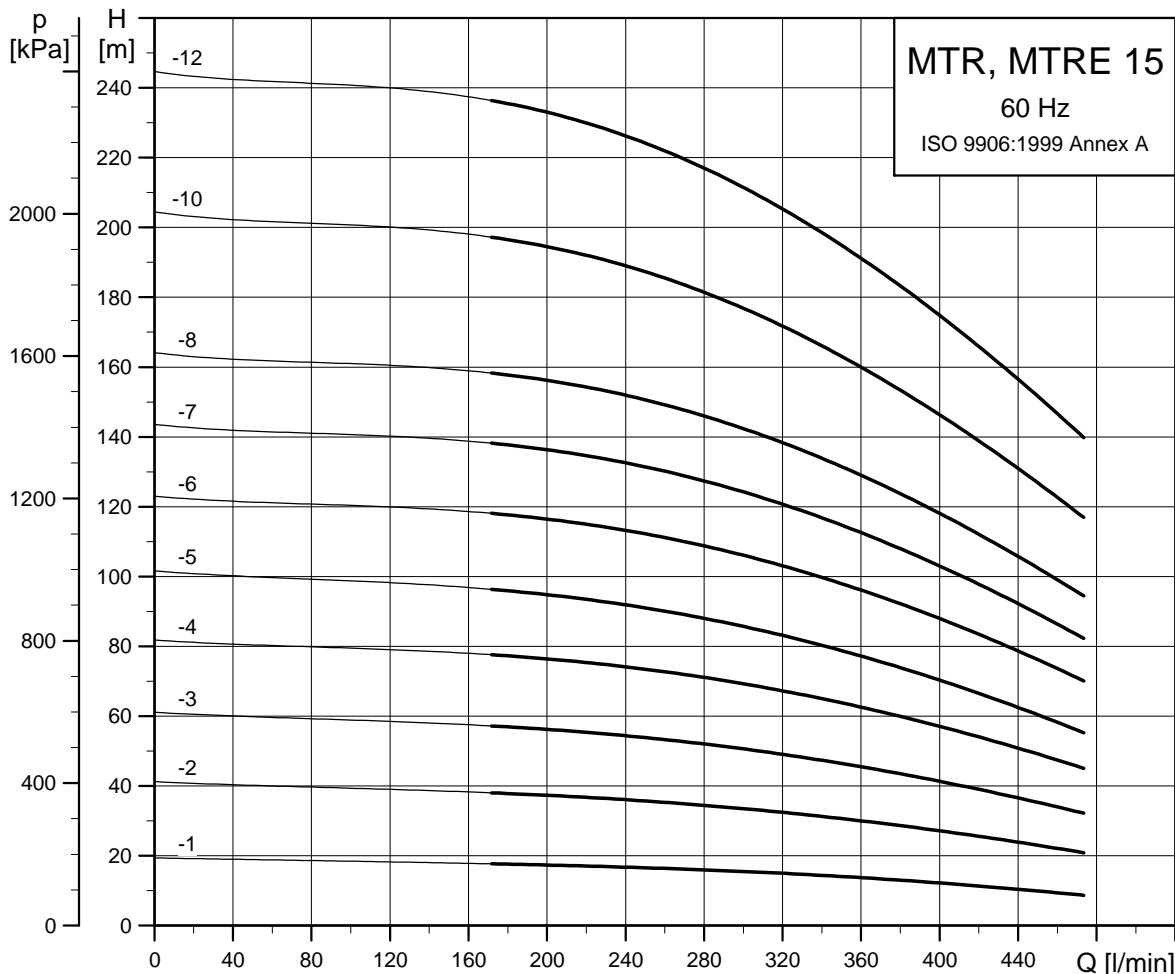
TM04 2790 2413

Dimensions and weights

Pump type	P2 [kW]	MTR									MTRE								
		Dimensions [mm]									Dimensions [mm]							Net weight [kg]	
		A	B	C	AC	D2	P	AD	AG	A	B	C	AC	D2	P	AD	AG		
MTR 10-2/1	0.75	519	148	371	141	140	-	109	82	22.7	-	-	-	-	-	-	-	-	-
MTR, MTRE 10-2/2	1.5	569	148	421	178	140	-	110	162	32.8	562	148	414	122	140	-	158	268	29.2
MTR, MTRE 10-3/3	2.2	639	178	461	178	140	-	110	162	36	592	178	414	122	140	-	158	268	30.6
MTR 10-4/4	3	683	208	475	198	160	-	120	162	40.1	-	-	-	-	-	-	-	-	-
MTR, MTRE 10-5/5	3	713	238	475	198	160	-	120	162	40.1	712	238	474	191	160	-	201	291	37.4
MTR, MTRE 10-6/6	4	780	268	512	220	160	-	134	202	51.9	742	268	474	191	160	-	201	291	45.1
MTR 10-7/7	5.5	853	298	555	220	-	300	134	202	64.2	-	-	-	-	-	-	-	-	-
MTR, MTRE 10-8/8	5.5	883	328	555	220	-	300	134	202	64.3	857	328	529	191	-	300	201	291	61.2
MTR 10-9/9	5.5	913	358	555	220	-	300	134	202	64.3	-	-	-	-	-	-	-	-	-
MTR, MTRE 10-10/10	7.5	931	388	543	260	-	300	159	203	74.2	941	388	553	255	-	300	237	346	67.4
MTR, MTRE 10-12/12	7.5	991	448	543	260	-	300	159	203	74.3	1001	448	553	255	-	300	237	346	67.5
MTR 10-14/14	11	1173	508	665	314	-	350	204	243	112	-	-	-	-	-	-	-	-	-
MTR 10-16/16	11	1233	568	665	314	-	350	204	243	112.1	-	-	-	-	-	-	-	-	-
MTR, MTRE 10-18/18	11	1287	622	665	314	-	350	204	243	112.3	1222	622	600	255	-	350	237	346	86.6
MTR 10-20/18	11	1353	688	665	314	-	350	204	243	112.4	-	-	-	-	-	-	-	-	-
MTR 10-22/18	11	1413	748	665	314	-	350	204	243	112.5	-	-	-	-	-	-	-	-	-

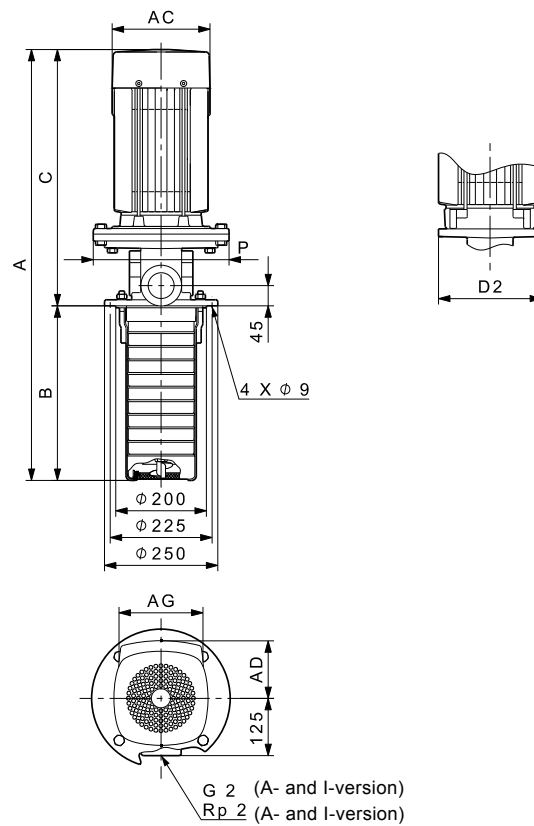
The maximum immersion depth is 1018 mm. See page 164.
 For information about electrical data, see section [Motor data](#) on page 150.

MTR, MTRE 15, 60 Hz



TM02 7851 4303

Dimensional sketches



TM04 2790 2413

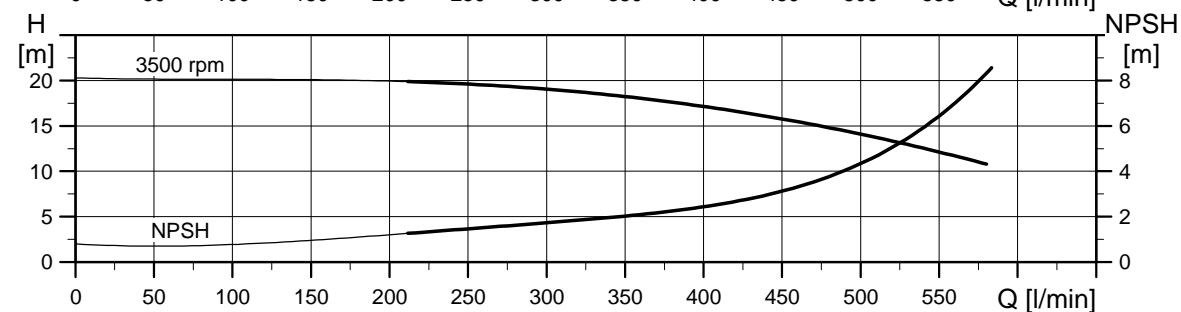
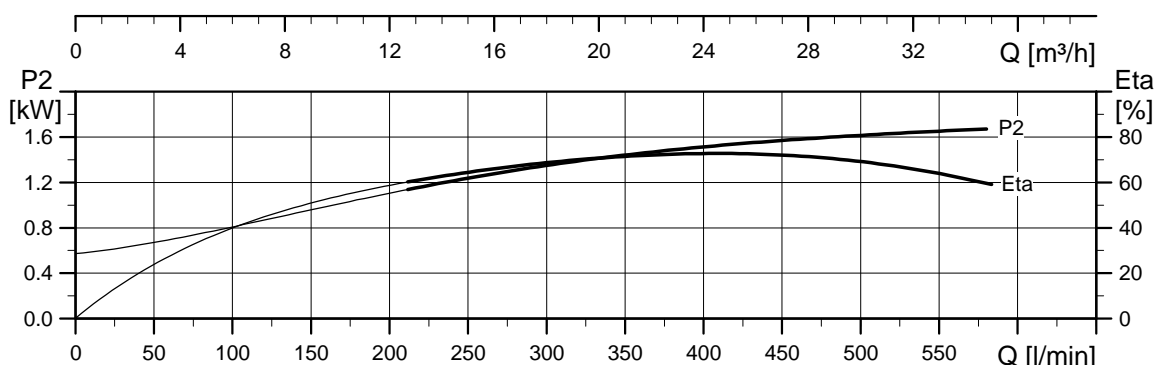
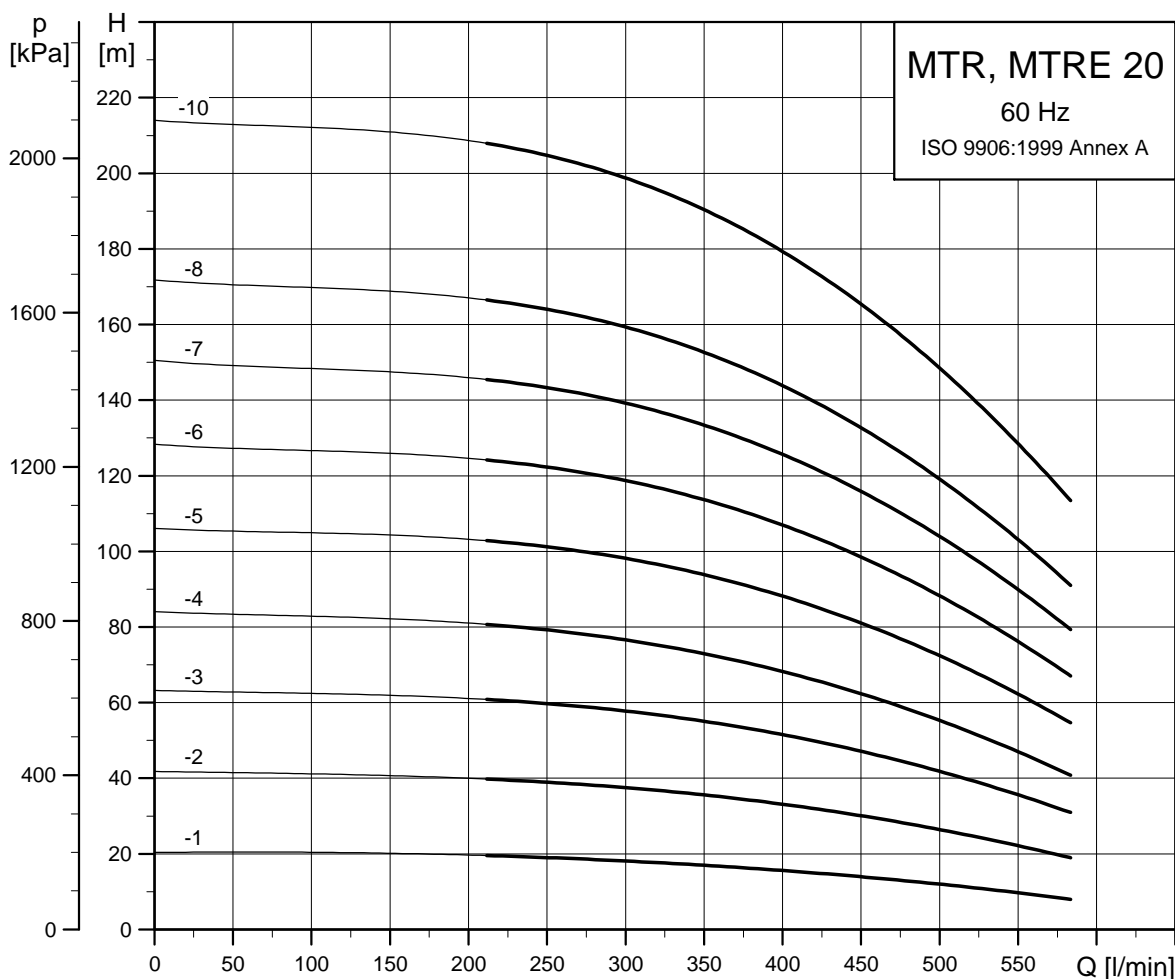
Dimensions and weights

Pump type	P2 [kW]	MTR									MTRE										
		Dimensions [mm]									Net weight [kg]	Dimensions [mm]									Net weight [kg]
		A	B	C	AC	D2	P	AD	AG	A		B	C	AC	D2	P	AD	AG			
MTR, MTRE 15-2/1	1.5	599	178	421	178	140	-	110	162	33.9	592	178	414	122	140	-	158	268	30.2		
MTR, MTRE 15-2/2	3	653	178	475	198	160	-	120	162	41	652	178	474	191	160	-	201	291	38.2		
MTR, MTRE 15-3/3	4	735	223	512	220	160	-	134	202	52.8	697	223	474	191	160	-	201	291	46		
MTR, MTRE 15-4/4	5.5	823	268	555	220	-	300	134	202	65.1	797	268	529	191	-	300	201	291	62		
MTR, MTRE 15-5/5	7.5	856	313	543	260	-	300	159	203	75	866	313	553	255	-	300	237	346	68.2		
MTR 15-6/6	11	1023	358	665	314	-	350	204	243	112.6	-	-	-	-	-	-	-	-	-		
MTR 15-7/7	11	1068	403	665	314	-	350	204	243	112.7	-	-	-	-	-	-	-	-	-		
MTR, MTRE 15-8/8	11	1113	448	665	314	-	350	204	243	112.8	1048	448	600	255	-	350	237	346	87.1		
MTR, MTRE 15-10/10	15	1203	538	665	314	-	350	204	243	124.8	1203	538	665	314	-	350	308	420	158		
MTR, MTRE 15-12/12	18.5	1337	628	709	314	-	350	204	243	137.7	1337	628	709	314	-	350	308	420	170.2		
MTR 15-14/12	18.5	1427	718	709	314	-	350	204	243	137.9	-	-	-	-	-	-	-	-	-		
MTR 15-16/12	18.5	1517	808	709	314	-	350	204	243	138.1	-	-	-	-	-	-	-	-	-		
MTR 15-17/12	18.5	1562	853	709	314	-	350	204	243	138.2	-	-	-	-	-	-	-	-	-		

The maximum immersion depth is 1033 mm. See page 164.

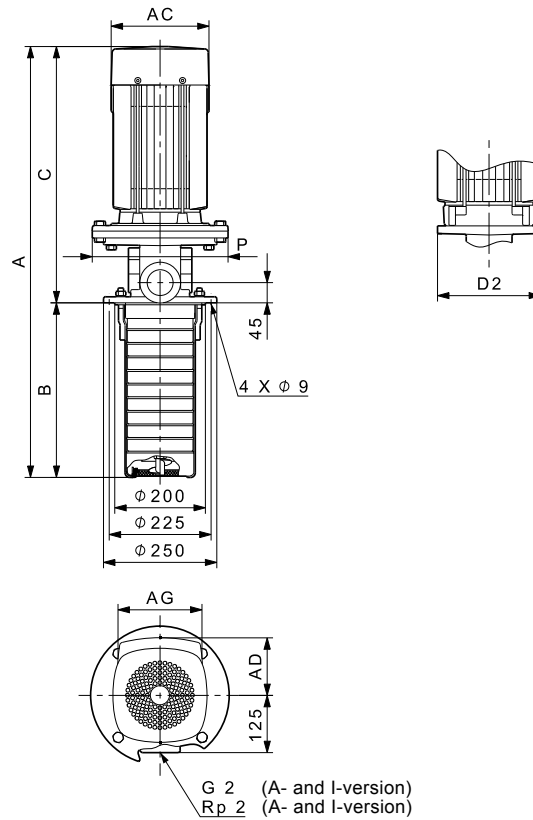
For information about electrical data, see section [Motor data](#) on page 150.

MTR, MTRE 20, 60 Hz



TM02 7852 4303

Dimensional sketches



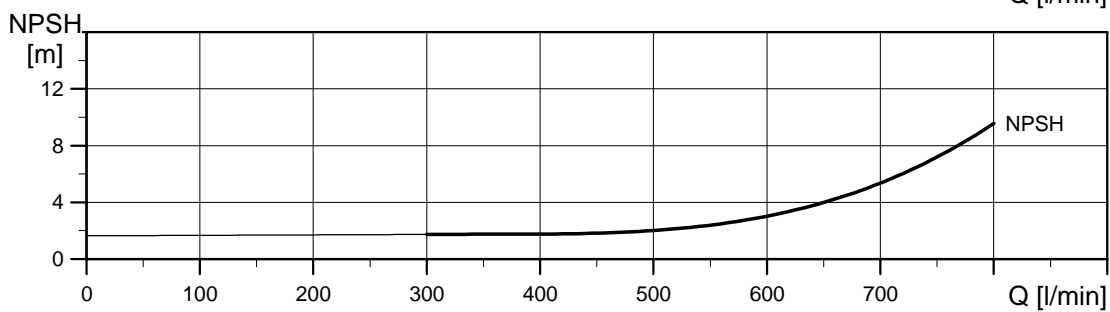
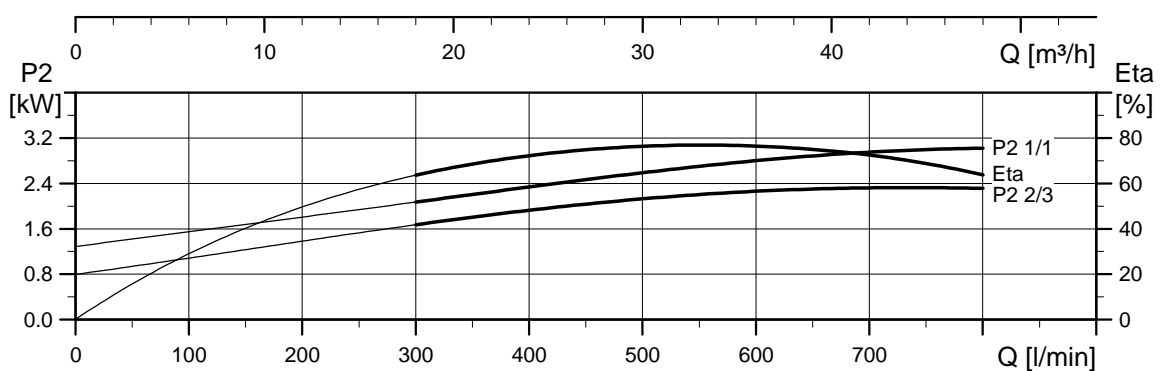
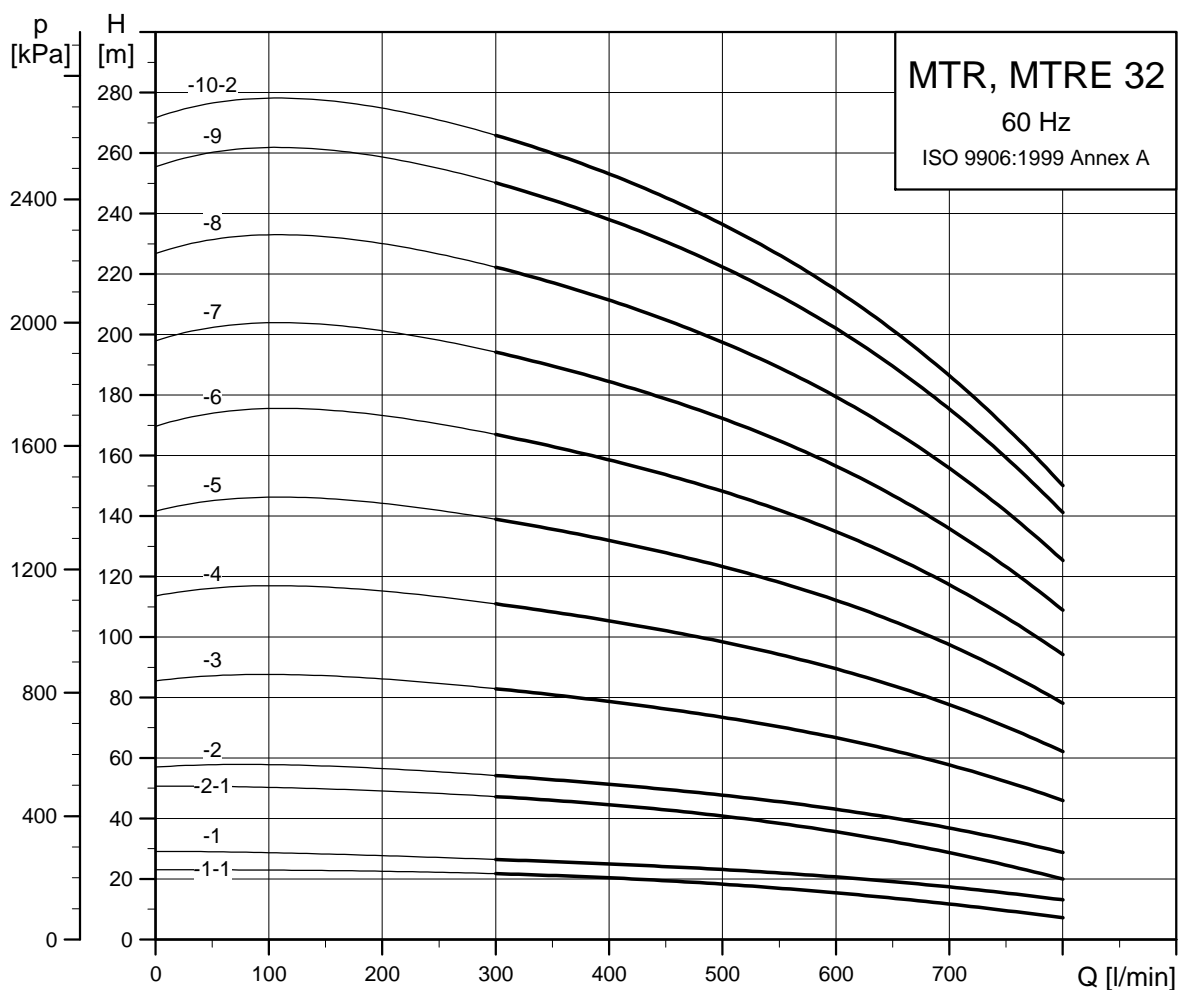
TM04 2790 2413

Dimensions and weights

Pump type	P2 [kW]	MTR									MTRE										
		Dimensions [mm]									Net weight [kg]	Dimensions [mm]									Net weight [kg]
		A	B	C	AC	D2	P	AD	AG	A		B	C	AC	D2	P	AD	AG			
MTR, MTRE 20-2/1	2.2	639	178	461	178	140	-	110	162	37	592	178	414	122	140	-	158	268	31.6		
MTR, MTRE 20-2/2	4	690	178	512	220	160	-	134	202	52.7	652	178	474	191	160	-	201	291	45.9		
MTR, MTRE 20-3/3	5.5	778	223	555	220	-	300	134	202	65	752	223	529	191	-	300	201	291	61.9		
MTR, MTRE 20-4/4	7.5	811	268	543	260	-	300	159	203	74.9	821	268	553	255	-	300	237	346	68.1		
MTR 20-5/5	11	978	313	665	314	-	350	204	243	112.5	-	-	-	-	-	-	-	-	-		
MTR, MTRE 20-6/6	11	1023	358	665	314	-	350	204	243	112.6	958	358	600	255	-	350	237	346	86.9		
MTR 20-7/7	15	1068	403	665	314	-	350	204	243	124.5	-	-	-	-	-	-	-	-	-		
MTR, MTRE 20-8/8	15	1113	448	665	314	-	350	204	243	124.6	1113	448	665	314	-	350	308	420	157.8		
MTR, MTRE 20-10/10	18.5	1247	538	709	314	-	350	204	243	137.5	1247	538	709	314	-	350	308	420	170		
MTR 20-12/10	18.5	1337	628	709	314	-	350	204	243	137.7	-	-	-	-	-	-	-	-	-		
MTR 20-14/10	18.5	1427	718	709	314	-	350	204	243	137.9	-	-	-	-	-	-	-	-	-		
MTR 20-16/10	18.5	1517	808	709	314	-	350	204	243	138.1	-	-	-	-	-	-	-	-	-		
MTR 20-17/10	18.5	1562	853	709	314	-	350	204	243	138.2	-	-	-	-	-	-	-	-	-		

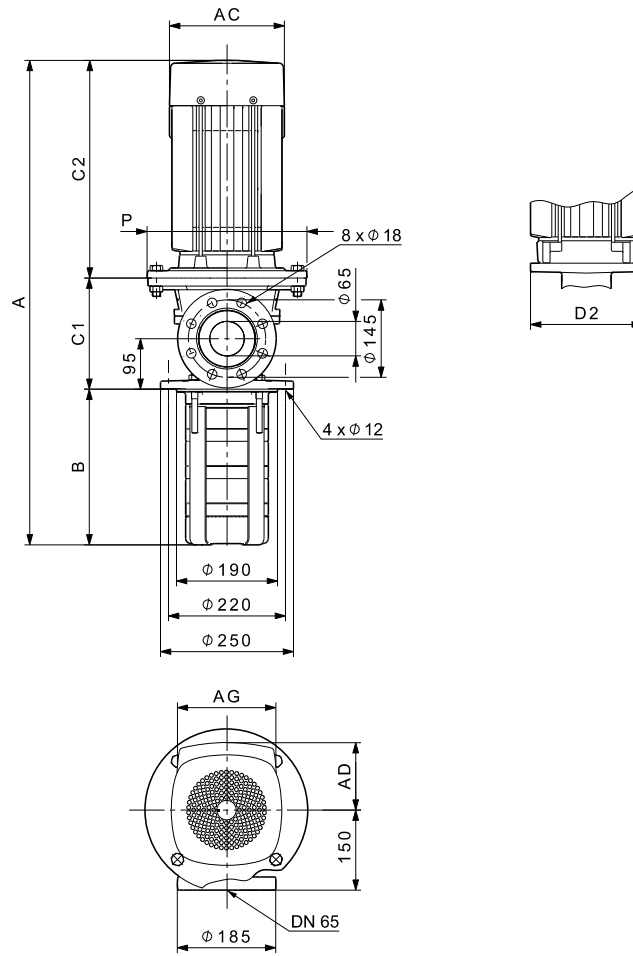
The maximum immersion depth is 1033 mm. See page 164.
 For information about electrical data, see section Motor data on page 150.

MTR, MTRE 32, 60 Hz



TM01 4305 2213

Dimensional sketches



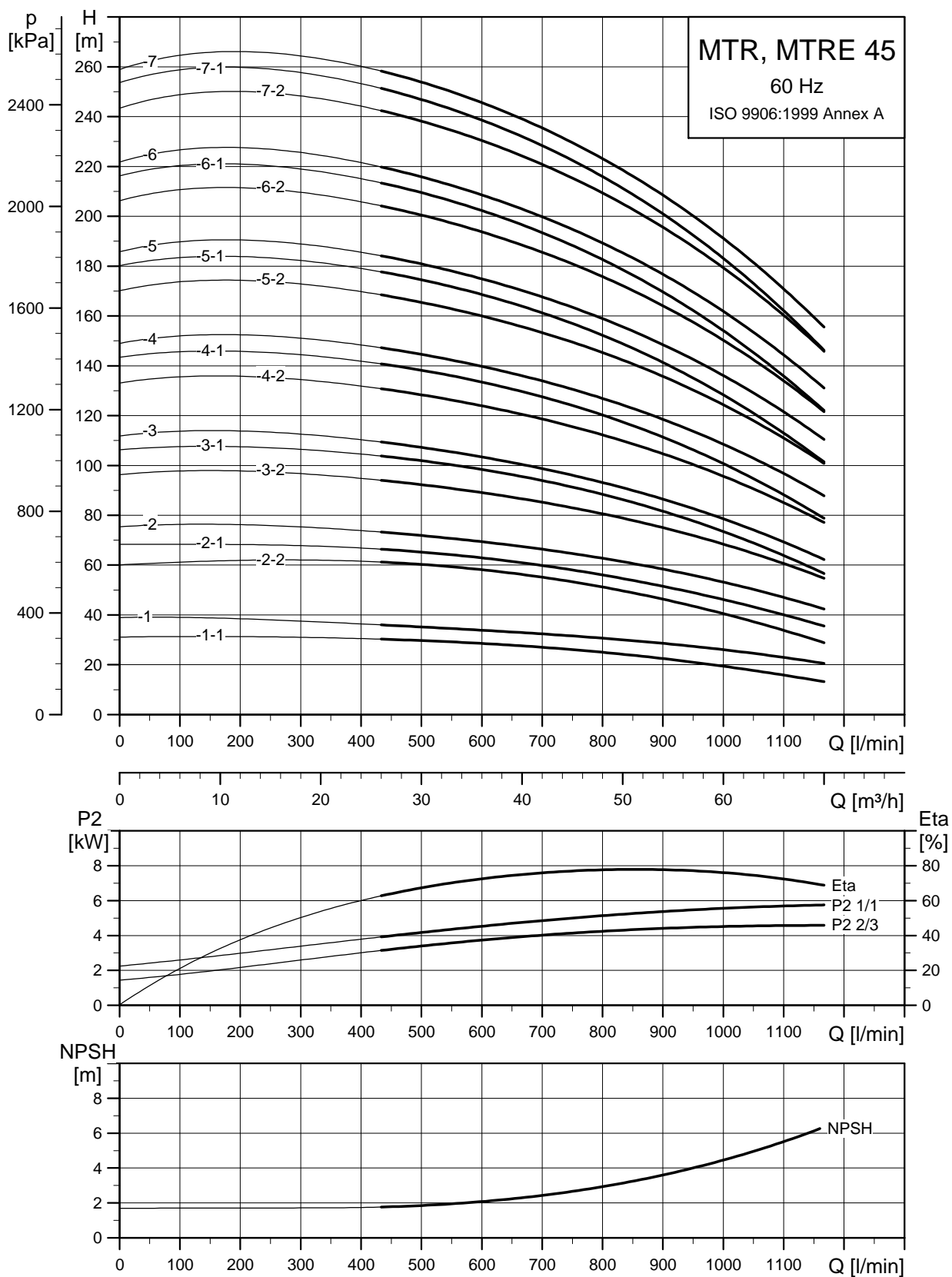
TM04 2791 4614

Dimensions and weights

Pump type	P2 [kW]	MTR										MTRE											
		Dimensions [mm]										Net weight [kg]	Dimensions [mm]										Net weight [kg]
		A	B	C1	C2	AC	D2	P	AD	AG	A		B	C1	C2	AC	D2	P	AD	AG			
MTR, MTRE 32-2/1-1	2.2	682	223	138	321	178	-	198	110	162	54.9	635	223	138	274	122	-	198	158	268	49.5		
MTR, MTRE 32-2/1	3	696	223	138	335	198	198	-	120	162	58	695	223	138	334	191	198	-	201	291	55.3		
MTR, MTRE 32-2/2-1	5.5	823	223	209	391	220	-	300	134	202	84.4	797	223	209	365	191	-	300	201	291	81.3		
MTR, MTRE 32-2/2	7.5	811	223	209	379	260	-	300	159	203	94.2	821	223	209	389	255	-	300	237	346	87.4		
MTR, MTRE 32-3/3	11	973	293	209	471	314	-	350	204	243	131.4	908	293	209	406	255	-	350	237	346	105.8		
MTR, MTRE 32-4/4	15	1043	363	209	471	314	-	350	204	243	143.5	1043	363	209	471	314	-	350	308	420	176.7		
MTR 32-5/5	18.5	1157	433	209	515	314	-	350	204	243	156.5	-	-	-	-	-	-	-	-	-	-		
MTR, MTRE 32-6/6	18.5	1227	503	209	515	314	-	350	204	243	156.7	1227	503	209	515	314	-	350	308	420	189.2		
MTR, MTRE 32-7/7	22	1323	573	209	541	314	-	350	204	243	172.2	1323	573	209	541	314	-	350	308	420	202.5		
MTR 32-8/8	30	1463	643	209	611	396	-	400	315	265	287.2	-	-	-	-	-	-	-	-	-	-		
MTR 32-9/9	30	1533	713	209	611	396	-	400	315	265	287.5	-	-	-	-	-	-	-	-	-	-		
MTR 32-10/10-2	30	1603	783	209	611	396	-	400	315	265	287.8	-	-	-	-	-	-	-	-	-	-		

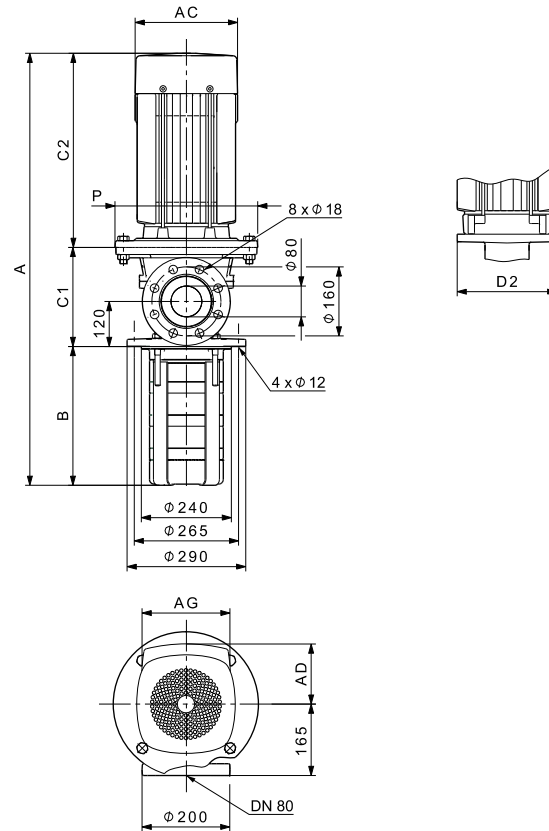
The maximum immersion depth is 1343 mm. See page 164.
For information about electrical data, see section Motor data on page 150.

MTR, MTRE 45, 60 Hz



TM01 4306 2213

Dimensional sketches



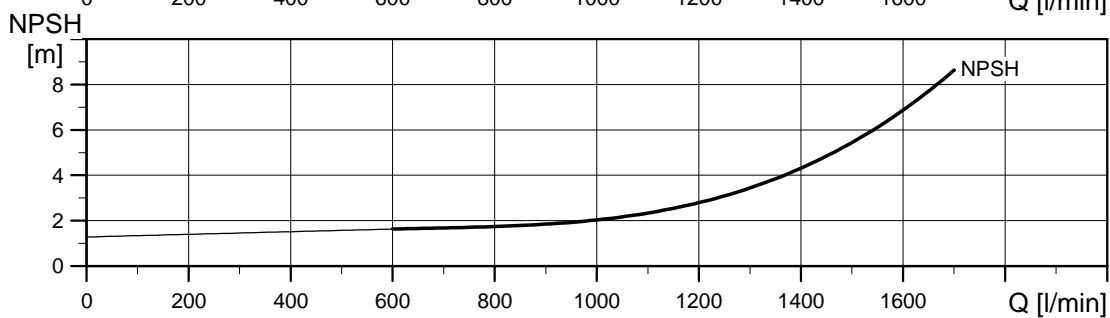
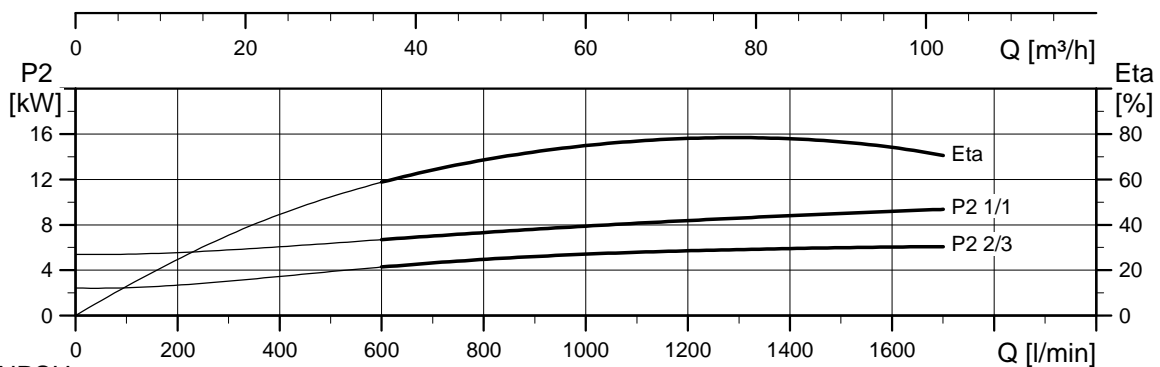
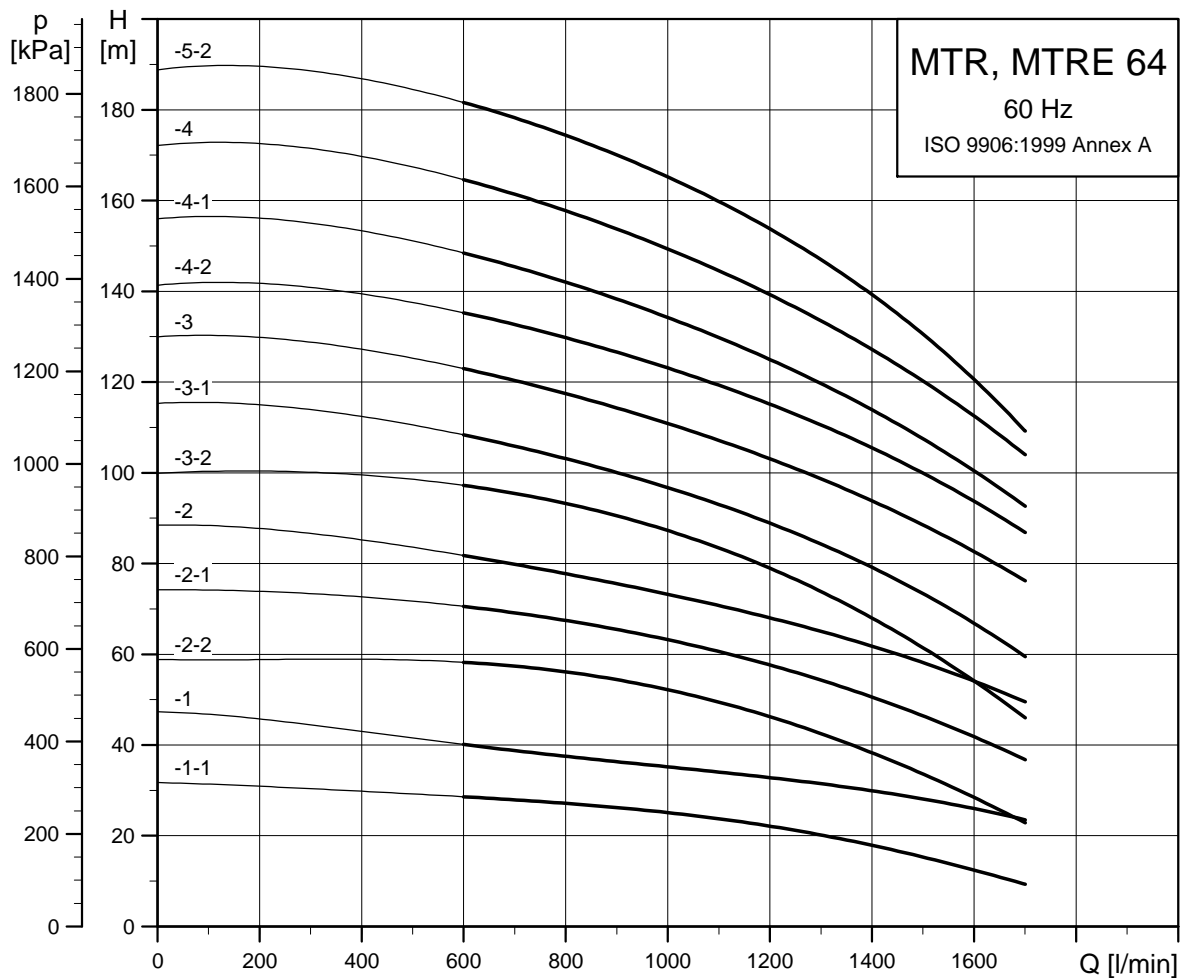
TM04 2792 4614

Dimensions and weights

Pump type	P2 [kW]	MTR									Net weight [kg]	MTRE									Net weight [kg]
		Dimensions [mm]										Dimensions [mm]									
		A	B	C1	C2	AC	D2	P	AD	AG		A	B	C1	C2	AC	D2	P	AD	AG	
MTR, MTRE 45-2/1-1	5.5	875	244	240	391	220	-	300	134	202	92.2	849	244	240	365	191	-	300	201	291	89.1
MTR, MTRE 45-2/1	7.5	863	244	240	379	260	-	300	159	203	102	873	244	240	389	255	-	300	237	346	95.2
MTR 45-2/2-2	11	955	244	240	471	314	-	350	204	243	140	890	244	240	406	255	-	350	237	346	114.4
MTR, MTRE 45-2/2-1	11	955	244	240	471	314	-	350	204	243	140	-	-	-	-	-	-	-	-	-	-
MTR, MTRE 45-2/2	15	955	244	240	471	314	-	350	204	243	151.8	955	244	240	471	314	-	350	308	420	185
MTR 45-3/3-2	18.5	1079	324	240	515	314	-	350	204	243	164.8	-	-	-	-	-	-	-	-	-	-
MTR 45-3/3-1	18.5	1079	324	240	515	314	-	350	204	243	164.8	-	-	-	-	-	-	-	-	-	-
MTR, MTRE 45-3/3	18.5	1079	324	240	515	314	-	350	204	243	164.8	1079	324	240	515	314	-	350	308	420	197.3
MTR, MTRE 45-4/4-2	22	1185	404	240	541	314	-	350	204	243	180.3	1185	404	240	541	314	-	350	308	420	210.6
MTR 45-4/4-1	30	1255	404	240	611	396	-	400	315	265	295.1	-	-	-	-	-	-	-	-	-	-
MTR 45-4/4	30	1255	404	240	611	396	-	400	315	265	295.1	-	-	-	-	-	-	-	-	-	-
MTR 45-5/5-2	30	1335	484	240	611	396	-	400	315	265	295.4	-	-	-	-	-	-	-	-	-	-
MTR 45-5/5-1	30	1335	484	240	611	396	-	400	315	265	295.4	-	-	-	-	-	-	-	-	-	-
MTR 45-5/5	30	1335	484	240	611	396	-	400	315	265	295.4	-	-	-	-	-	-	-	-	-	-
MTR 45-6/6-2	37	1440	564	240	636	396	-	400	315	265	320.7	-	-	-	-	-	-	-	-	-	-
MTR 45-6/6-1	37	1440	564	240	636	396	-	400	315	265	320.7	-	-	-	-	-	-	-	-	-	-
MTR 45-6/6	37	1440	564	240	636	396	-	400	315	265	320.7	-	-	-	-	-	-	-	-	-	-
MTR 45-7/7-2	45	1611	644	259	708	449	-	450	338	266	388.4	-	-	-	-	-	-	-	-	-	-
MTR 45-7/7-1	45	1611	644	259	708	449	-	450	338	266	388.4	-	-	-	-	-	-	-	-	-	-
MTR 45-7/7	45	1611	644	259	708	449	-	450	338	266	388.4	-	-	-	-	-	-	-	-	-	-

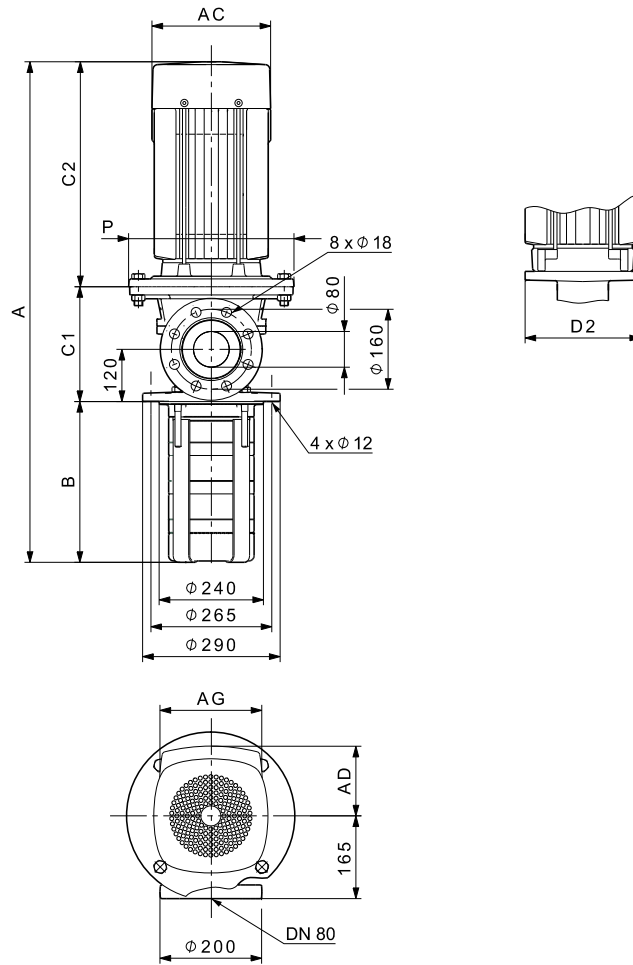
The maximum immersion depth is 1444 mm. See page 164.
 For information about electrical data, see section *Motor data* on page 150.

MTR, MTRE 64, 60 Hz



TM01 4307 2213

Dimensional sketches



TM04 2792 4614

Dimensions and weights

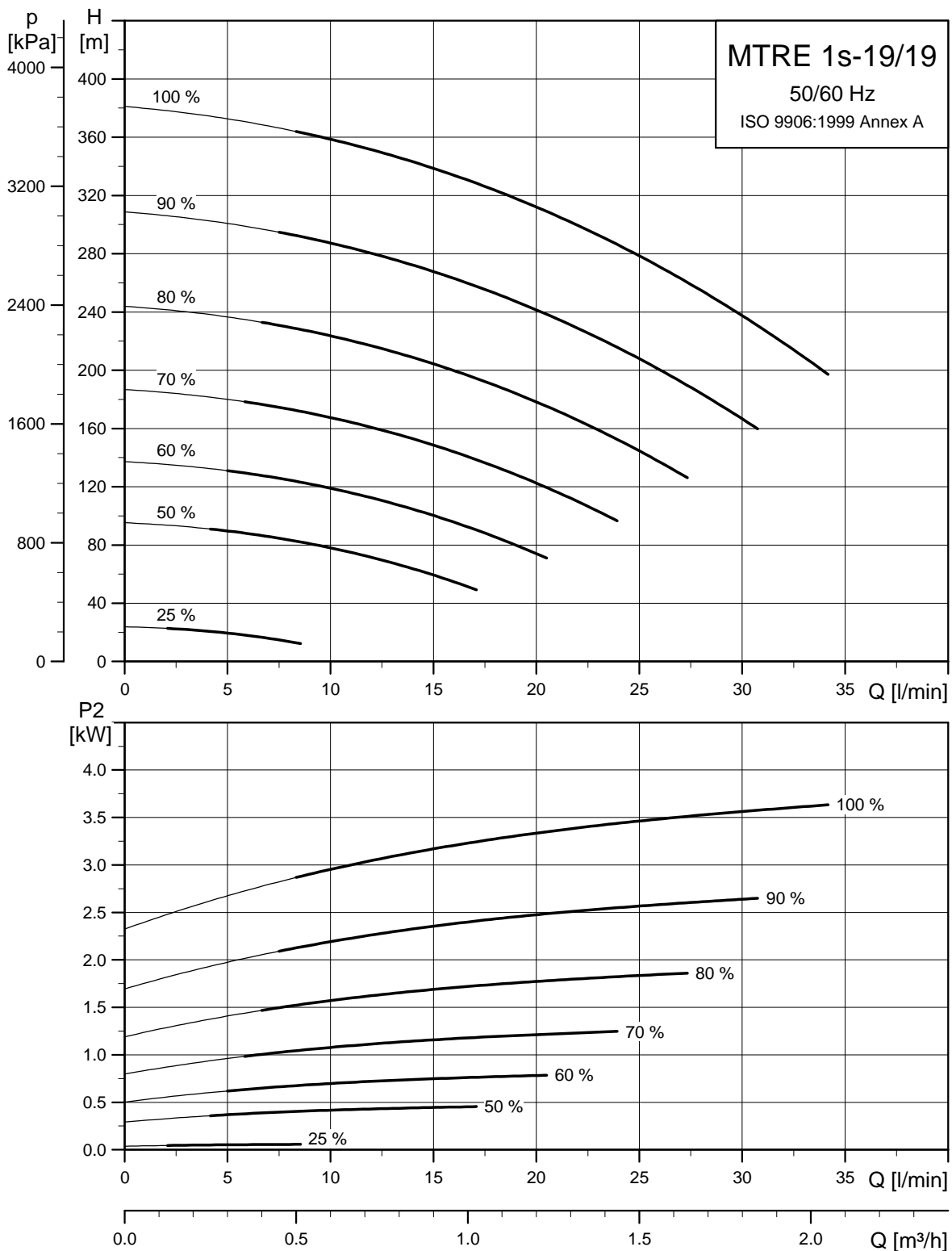
Pump type	P2 [kW]	MTR										MTRE											
		Dimensions [mm]										Net weight [kg]	Dimensions [mm]										Net weight [kg]
		A	B	C1	C2	AC	D2	P	AD	AG	A		B	C1	C2	AC	D2	P	AD	AG			
MTR, MTRE 64-2/1-1	7.5	868	249	240	379	260	-	300	159	203	104.5	878	249	629	240	389	-	300	237	346	97.7		
MTR, MTRE 64-2/1	11	960	249	240	471	314	-	350	204	243	142.5	895	249	646	240	406	-	350	237	346	116.9		
MTR, MTRE 64-2/2-1	15	960	249	240	471	314	-	350	204	243	154.3	960	249	711	240	471	-	350	308	420	187.5		
MTR, MTRE 64-2/2-2	18.5	1004	249	240	515	314	-	350	204	243	167	1004	249	755	240	515	-	350	308	420	199.5		
MTR, MTRE 64-2/2	22	1030	249	240	541	314	-	350	204	243	182.2	1030	249	781	240	541	-	350	308	420	212.5		
MTR 64-3/3-2	22	1113	332	240	541	314	-	350	204	243	182.5	-	-	-	-	-	-	-	-	-	-		
MTR 64-3/3-1	30	1183	332	240	611	396	-	400	315	265	297.3	-	-	-	-	-	-	-	-	-	-		
MTR 64-3/3	30	1183	332	240	611	396	-	400	315	265	297.3	-	-	-	-	-	-	-	-	-	-		
MTR 64-4/4-2	37	1290	414	240	636	396	-	400	315	265	322.7	-	-	-	-	-	-	-	-	-	-		
MTR 64-4/4-1	37	1290	414	240	636	396	-	400	315	265	322.7	-	-	-	-	-	-	-	-	-	-		
MTR 64-4/4	45	1381	414	259	708	449	-	450	338	266	390.1	-	-	-	-	-	-	-	-	-	-		
MTR 64-5/5-2	45	1464	497	259	708	449	-	450	338	266	390.4	-	-	-	-	-	-	-	-	-	-		
MTR 64-6/5-2	45	1546	579	259	708	449	-	450	338	266	390.7	-	-	-	-	-	-	-	-	-	-		

The maximum immersion depth is 1487 mm. See page 164.
 For information about electrical data, see section [Motor data](#) on page 150.

MTRE for high pressure applications

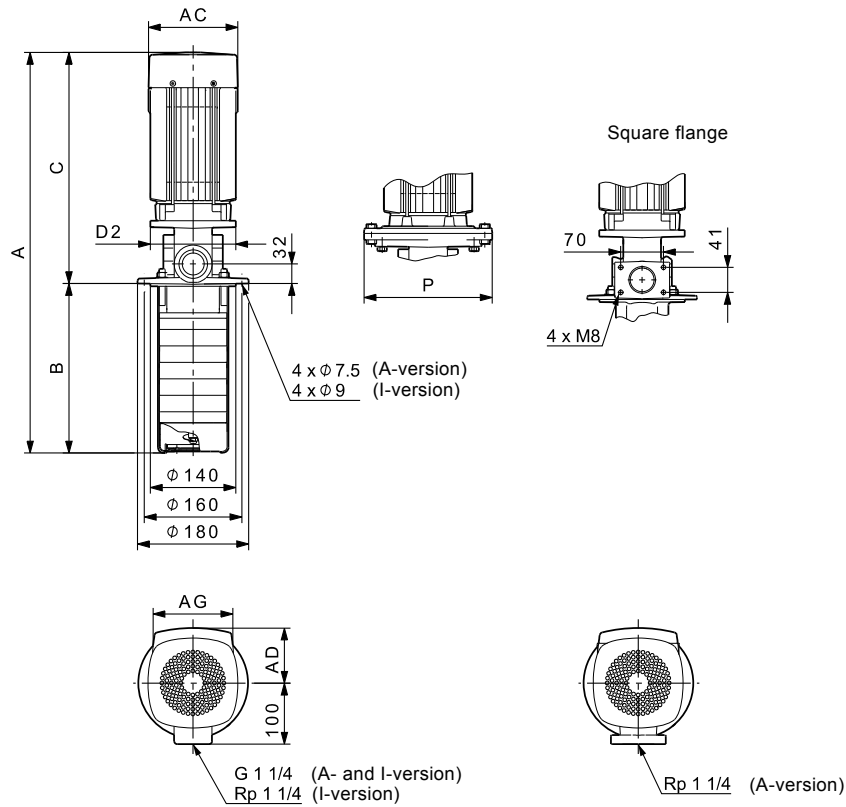
For high-pressure applications, Grundfos offers a unique MTR pump capable of generating up to 38 bar. These pumps are equipped with a high-speed motor, type MGE

MTRE 1s high-pressure pump



TM05 1563 3111

Dimensional sketches



TM04 2789 2413

Dimensions and weight

Pump type	P2 [kW]	Dimensions [mm]								Weight [kg]
		A	B	C	AC	D2	P	AD	AG	
MTRE1s-19/19 HS	4	808	466	342	191	140	-	201	291	51.2

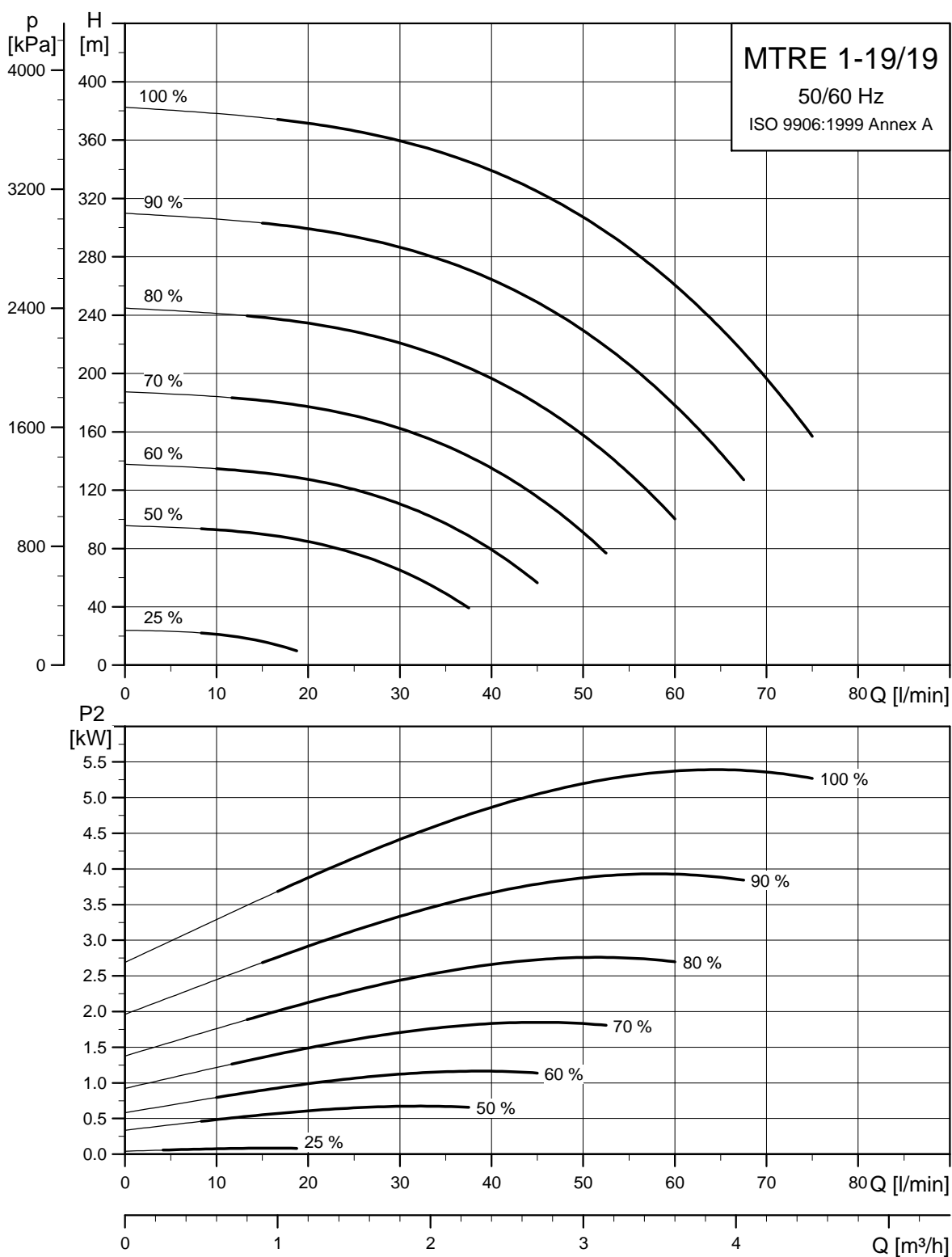
The maximum immersion depth is 1006 mm. For further details about the available immersion depths for MTR, MTRE pumps, see page 164.

Electrical data

Voltage	P2 [kW]	Type	I _{1/1} [A]	Power factor cos φ _{1/1}	Motor efficiency		Maximum motor speed [min ⁻¹]
					η [%]	Class	
3 x 380-500 V, 50/60 Hz	4	MGE112MC	7.60 - 6.10	0.87 - 0.92	91.3	IE4*	5900

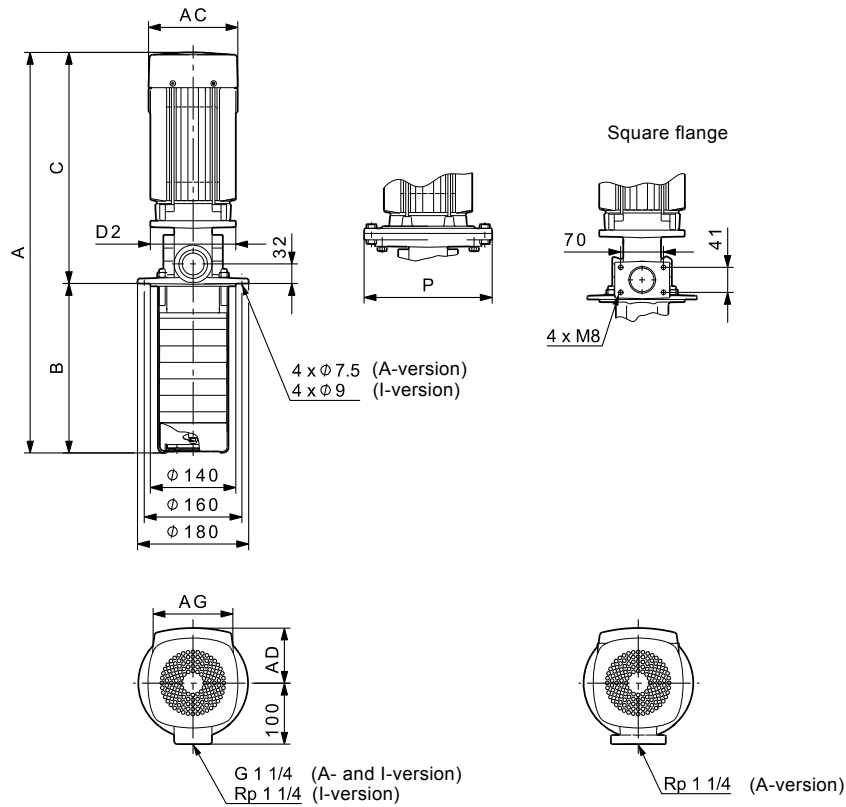
* The IE efficiency levels are defined in IEC 60034-30-1 Ed. 1 (CD) draft. Due to the technology used in this motor, it falls outside the scope of IEC 60034-30-1 Ed. 1 (CD). Being the only defined standard at present, this standard is chosen as reference. The efficiency (including both motor and electronics) is above the IE4 level.

MTRE 1 high-pressure pump



TM04 5677 0610

Dimensional sketches



TM04 2789 2413

Dimensions and weight

Pump type	Dimensions [mm]								Weight [kg]
	A	B	C	AC	D2	P	AD	AG	
MTRE1-19/19 HS	996	466	530	191	-	300	201	291	68.3

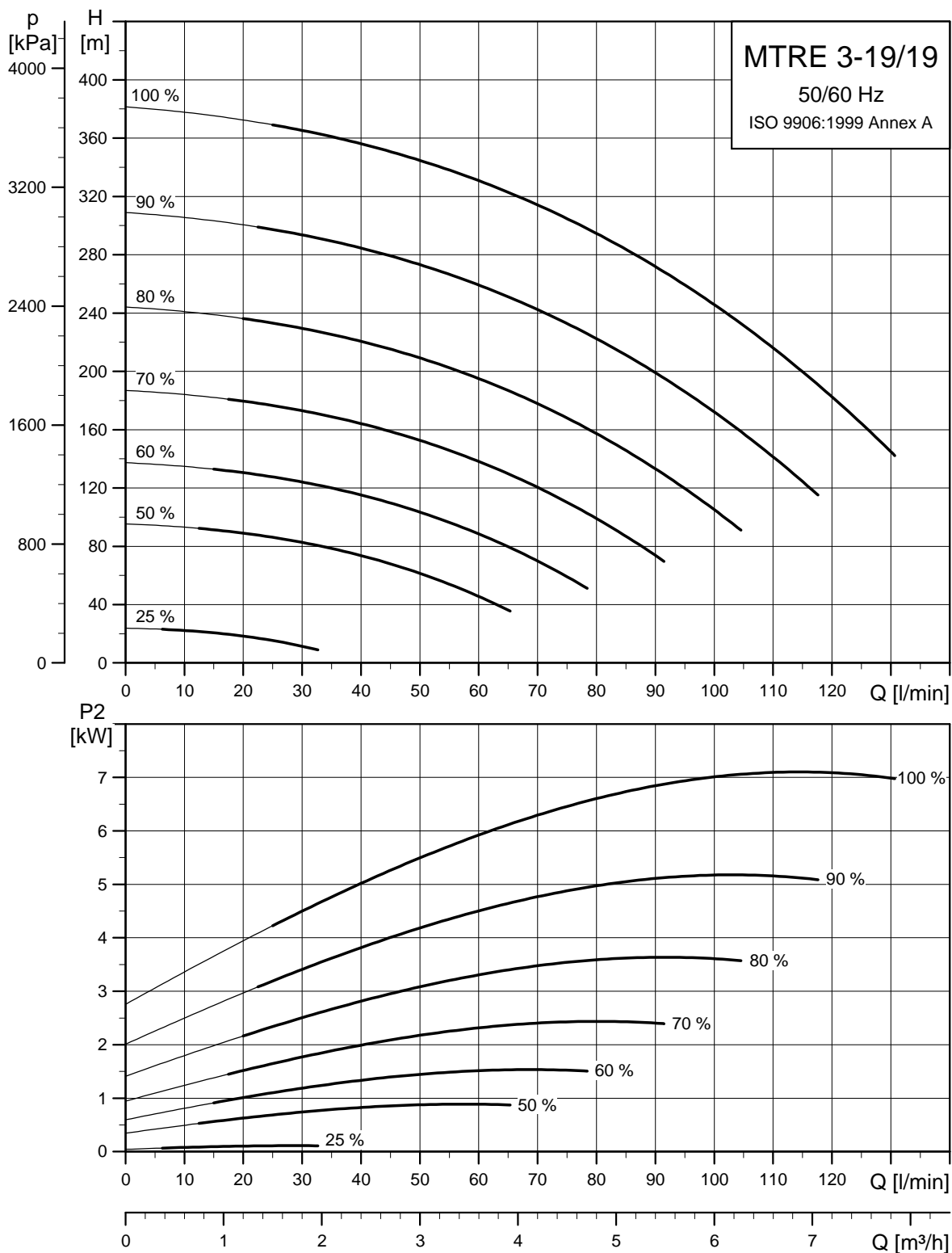
The maximum immersion depth is 1006 mm. For further details about the available immersion depths for MTR, MTRE pumps, see page 164.

Electrical data

Voltage	P2 [kW]	Type	I _{1/1} [A]	Power factor cos φ _{1/1}	Motor efficiency		Maximum motor speed [min ⁻¹]
					η [%]	Class	
3 x 380-500 V, 50/60 Hz	5.5	MGE132SE	10.5 - 8.30	0.92 - 0.88	90.5	IE4*	5900

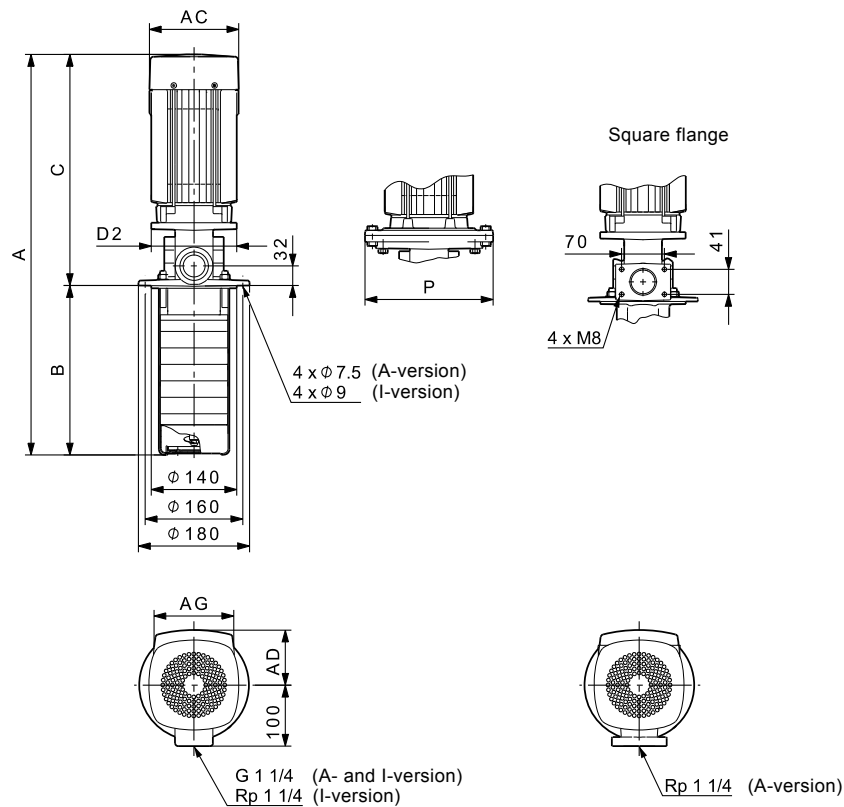
* The IE efficiency levels are defined in IEC 60034-30-1 Ed. 1 (CD) draft. Due to the technology used in this motor, it falls outside the scope of IEC 60034-30-1 Ed. 1 (CD). Being the only defined standard at present, this standard is chosen as reference. The efficiency (including both motor and electronics) is above the IE4 level.

MTRE 3 high-pressure pump



TM05 1564 3111

Dimensional sketches



TM04 2789 2413

Dimensions and weight

Pump type	Dimensions [mm]								Weight [kg]
	A	B	C	AC	D2	P	AD	AG	
MTRE3-19/19 HS	912	466	446	255	-	300	237	346	73.9

The maximum immersion depth is 1006 mm. For further details about the available immersion depths for MTR, MTRE pumps, see page 164.

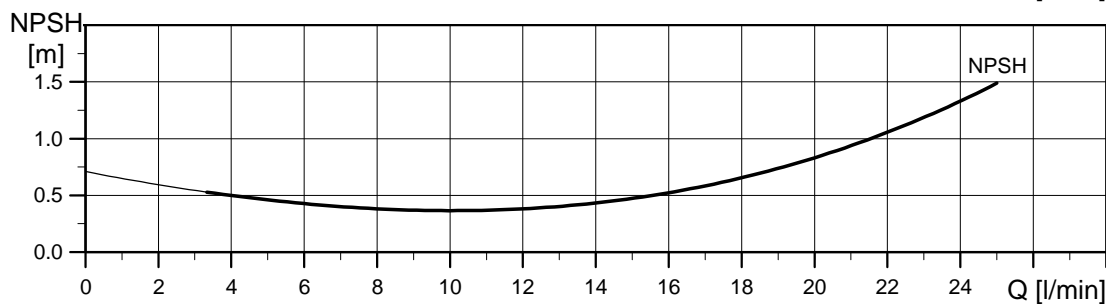
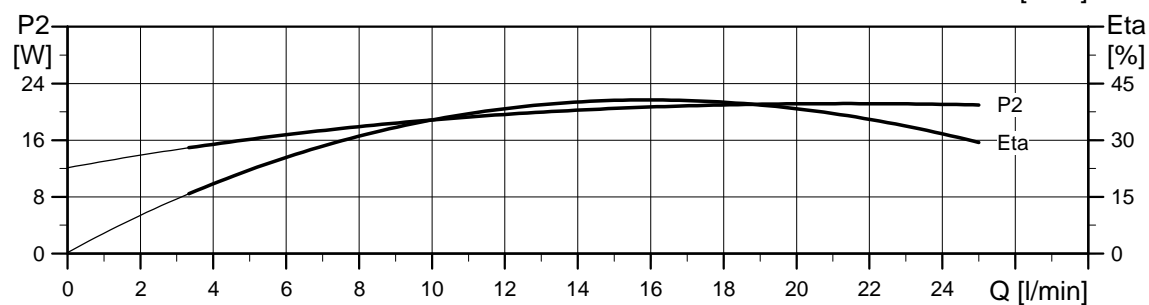
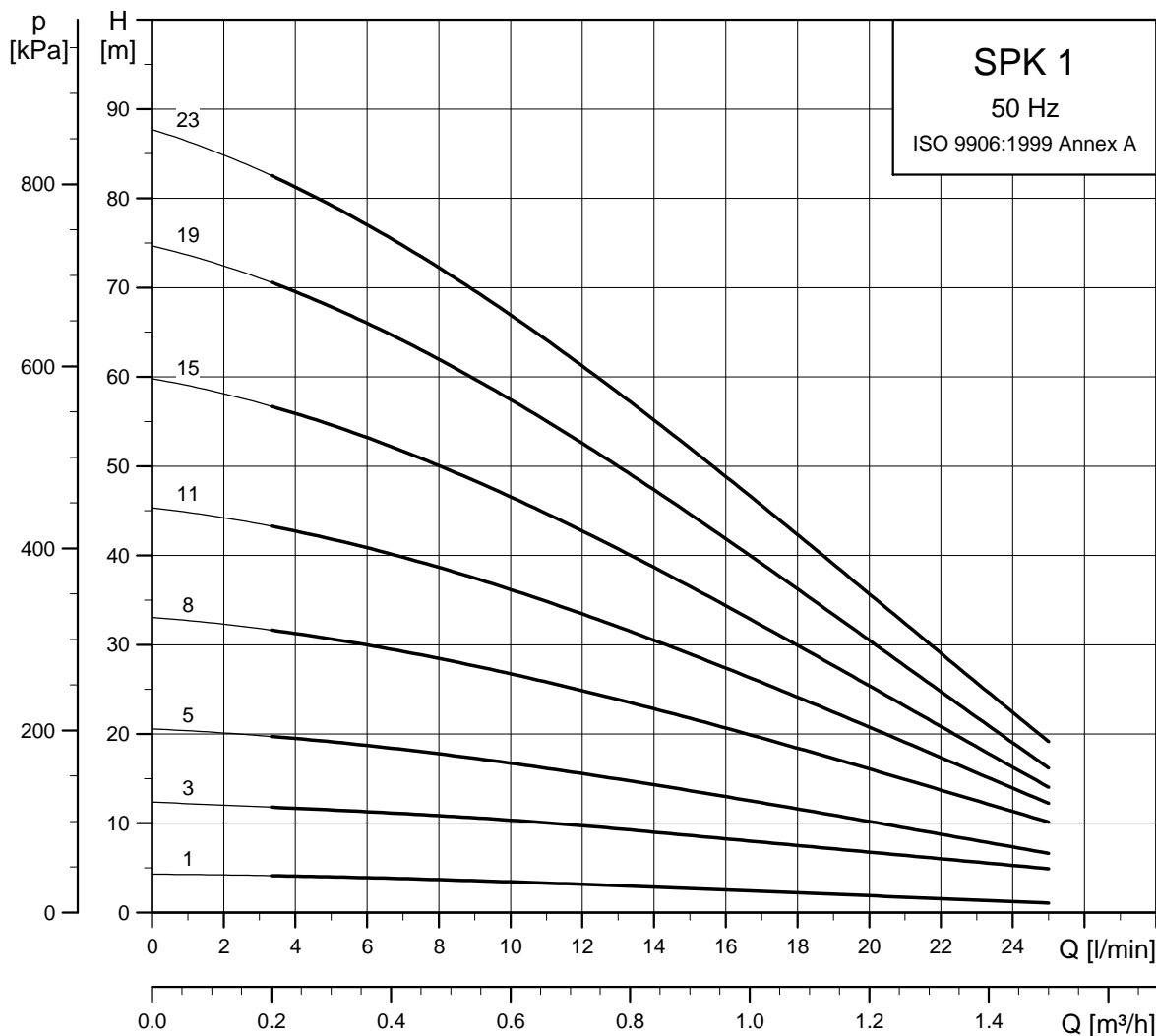
Electrical data

Voltage	P2 [kW]	Type	$I_{1/1}$ [A]	Power factor $\cos \phi_{1/1}$	Motor efficiency		Maximum motor speed [min ⁻¹]
					η [%]	Class	
3 x 380-500 V, 50/60 Hz	7.5	MGE132SF	14.2 - 11.3	0.93 - 0.89	90.9	IE4*	5900

* The IE efficiency levels are defined in IEC 60034-30-1 Ed. 1 (CD) draft. Due to the technology used in this motor, it falls outside the scope of IEC 60034-30-1 Ed. 1 (CD). Being the only defined standard at present, this standard is chosen as reference. The efficiency (including both motor and electronics) is above the IE4 level.

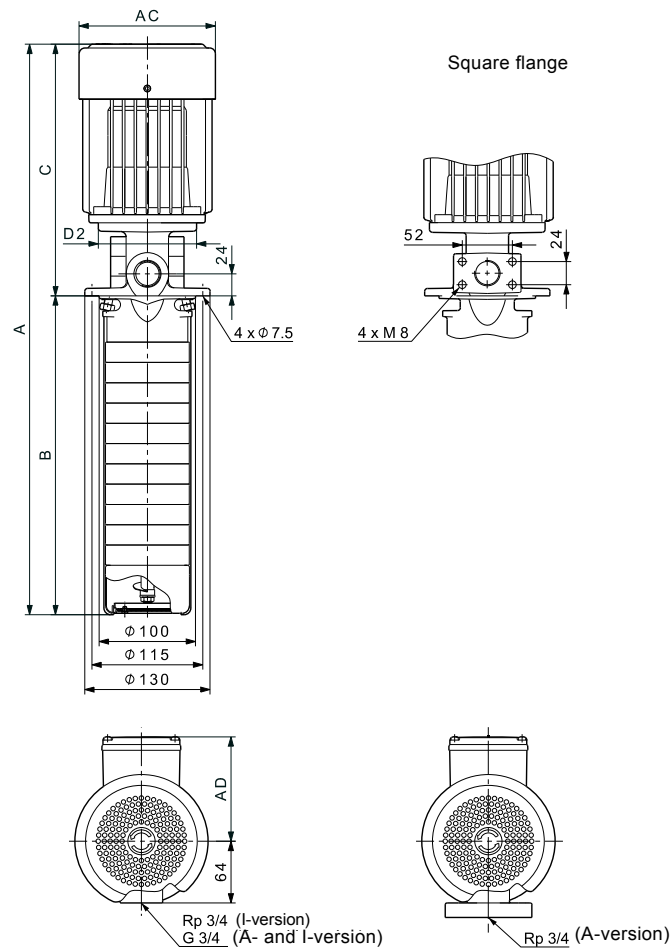
SPK, 50 Hz

SPK 1, 50 Hz



TM00 1930 3700

Dimensional sketches



TMD4 5801 3313

Dimensions and weights

Pump type	P2 [kW]	Dimensions [mm]						Weight* [kg]
		A	B	C	AC	D2	AD	
SPK 1-1/1	0.06	395	140	255	124	90	101	9.3
SPK 1-3/3	0.12	437	182	255	124	90	101	9.0
SPK 1-5/5	0.12	479	224	255	124	90	101	9.5
SPK 1-8/8	0.18	542	287	255	124	90	101	10.5
SPK 1-11/11	0.25	596	350	246	141	102	109	12.6
SPK 1-15/15	0.37	701	434	267	141	102	109	14.0
SPK 1-19/19	0.37	785	518	267	141	102	109	15.1
SPK 1-23/23	0.55	869	602	267	141	102	109	15.7

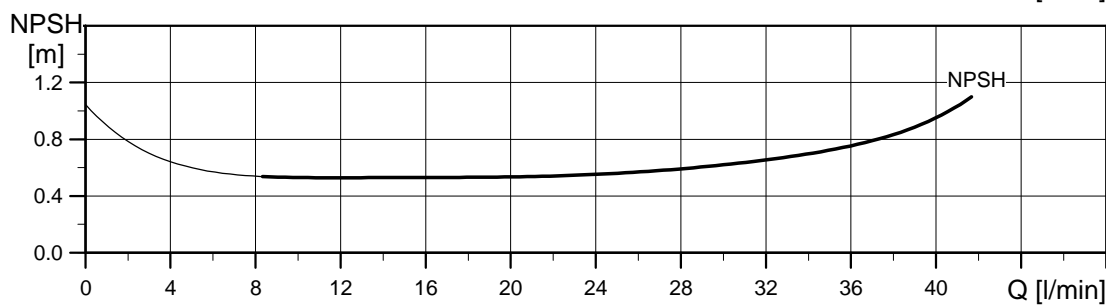
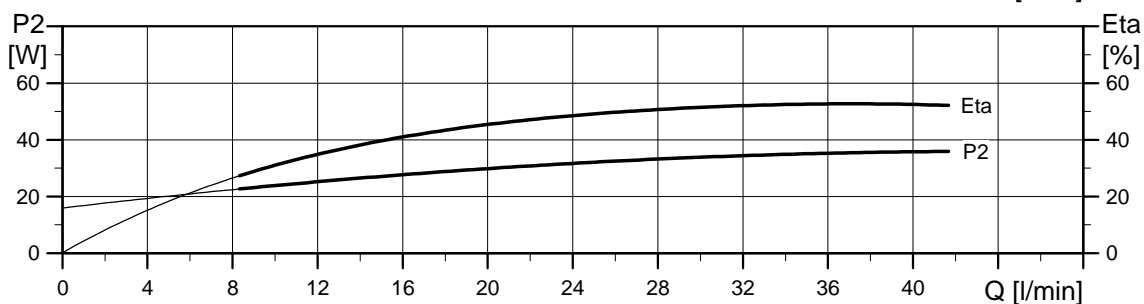
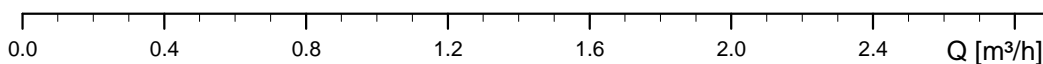
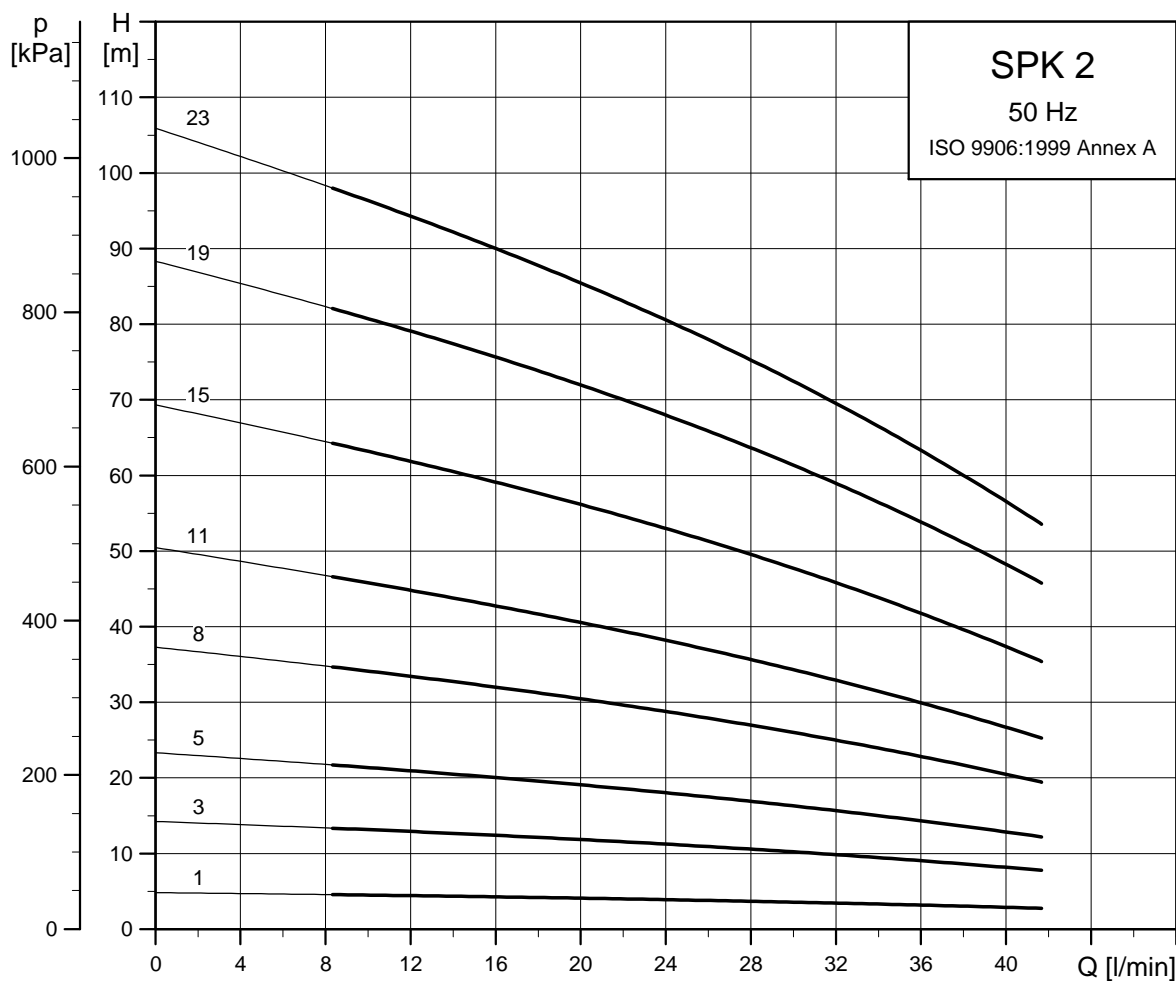
* The weights apply to the standard range (A-version). For the stainless steel versions (I-version), add 1 kg.

SPK with extension pipe

Pump type	P2 [kW]	Dimensions [mm]						Weight* [kg]
		A	B	C	AC	D2	AD	
SPK 1-23/23	0.55	1272	1005	267	141	102	109	20.3

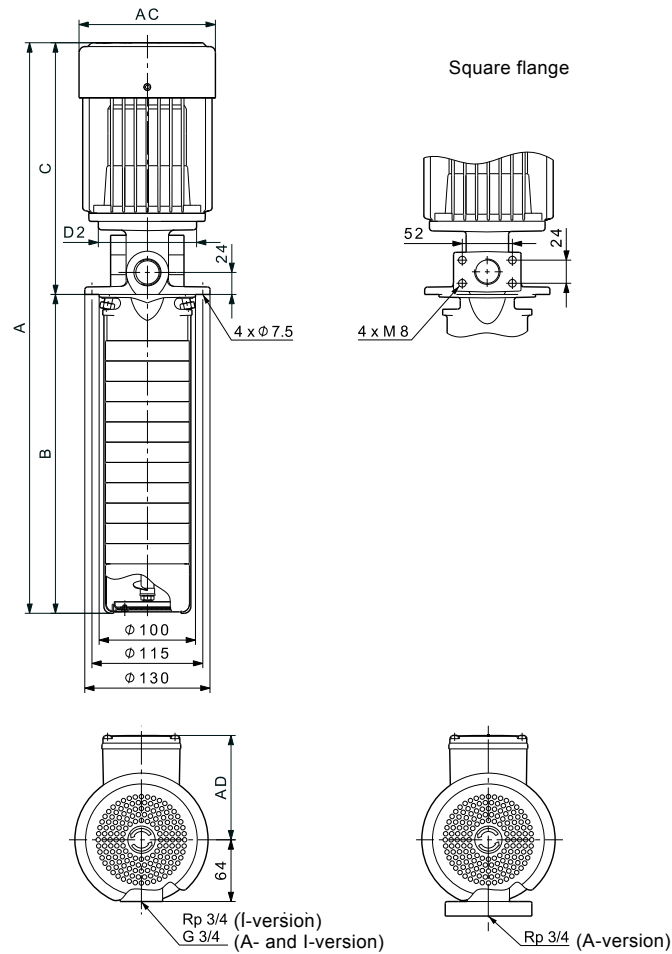
* The weights apply to the standard range (A-version). For the stainless steel versions (I-version), add 1 kg.
For information about electrical data, see section [Motor data](#) on page 150.

SPK 2, 50 Hz



TM00 1932 3700

Dimensional sketches



TM04 5801 3313

Dimensions and weights

Pump type	P2 [kW]	Dimensions [mm]						Weight* [kg]
		A	B	C	AC	D2	AD	
SPK 2-1/1	0.06	395	140	255	124	90	101	9.3
SPK 2-3/3	0.12	437	182	255	124	90	101	9.0
SPK 2-5/5	0.18	479	224	255	124	90	101	9.7
SPK 2-8/8	0.37	554	287	267	141	102	109	12.1
SPK 2-11/11	0.37	617	350	267	141	102	109	12.9
SPK 2-15/15	0.55	701	434	267	141	102	109	13.6
SPK 2-19/19	0.75	825	518	307	141	120	109	17.2
SPK 2-23/23	0.75	909	602	307	141	120	109	18.4

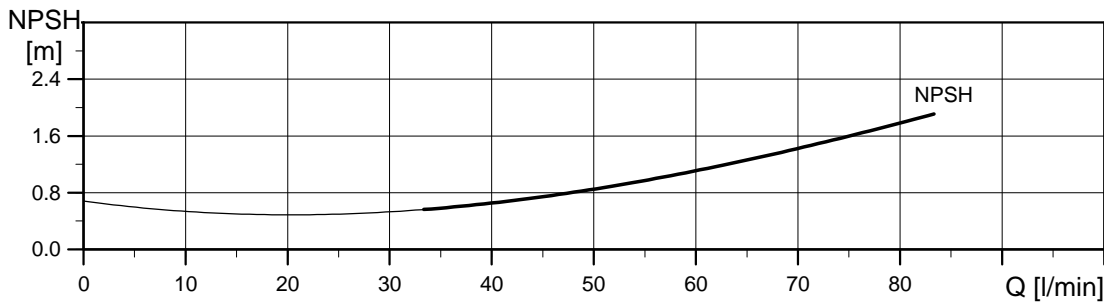
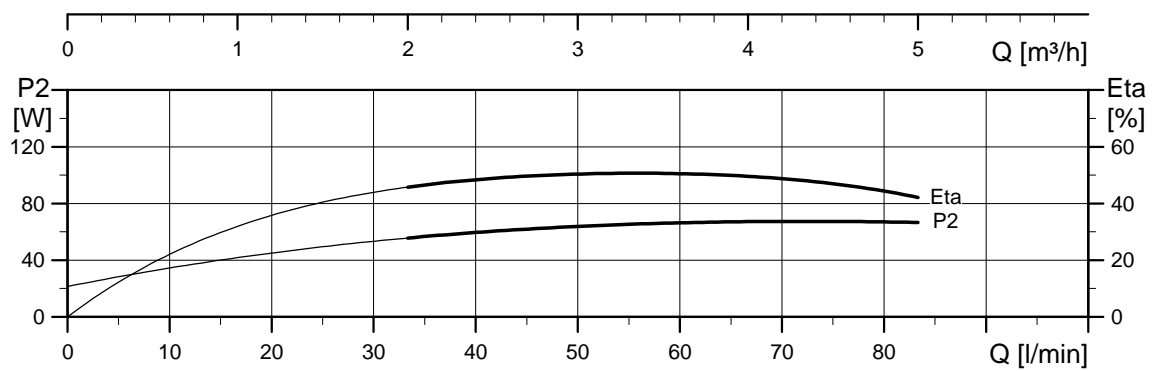
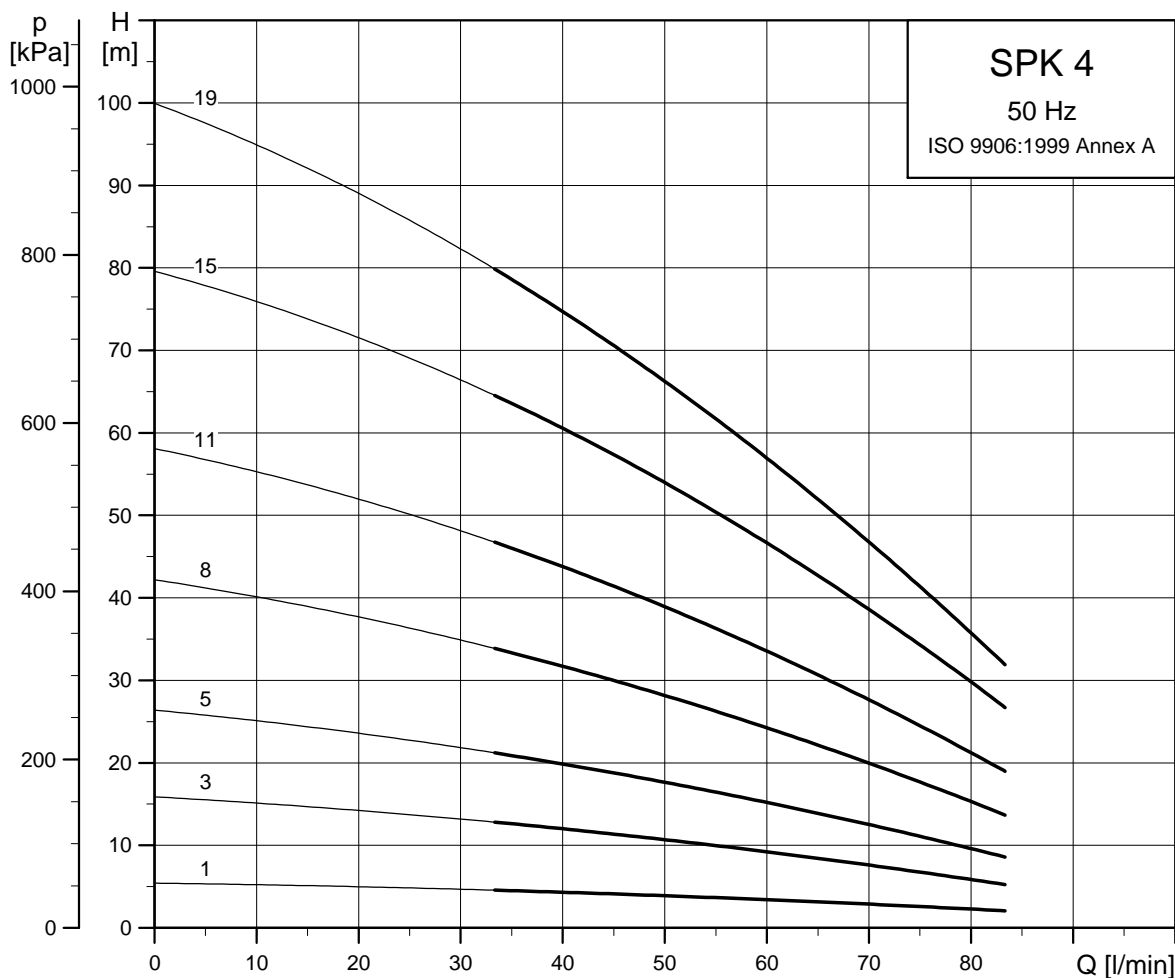
* The weights apply to the standard range (A-version). For the stainless steel versions (I-version), add 1 kg.

SPK with extension pipe

Pump type	P2 [kW]	Dimensions [mm]						Weight* [kg]
		A	B	C	AC	D2	AD	
SPK 2-23/23	0.75	1312	1005	307	141	120	109	23.0

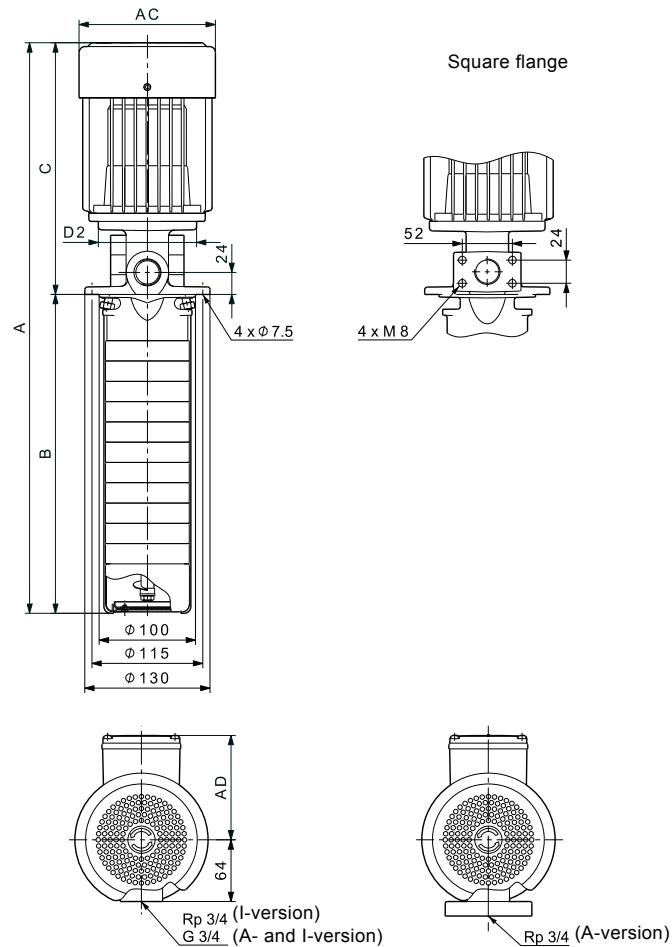
* The weights apply to the standard range (A-version). For the stainless steel versions (I-version), add 1 kg.
For information about electrical data, see section [Motor data](#) on page 150.

SPK 4, 50 Hz



TM00 1934-3700

Dimensional sketches



TM04 5801 3313

Dimensions and weights

Pump type	P2 [kW]	Dimensions [mm]						Weight* [kg]
		A	B	C	AC	D2	AD	
SPK 4-1/1	0.12	395	140	255	124	90	101	8.5
SPK 4-3/3	0.25	428	182	246	141	102	109	10.3
SPK 4-5/5	0.37	491	224	267	141	102	109	10.8
SPK 4-8/8	0.55	554	287	267	141	102	109	10.7
SPK 4-11/11	0.75	657	350	307	141	120	109	13.6
SPK 4-15/15	1.1	761	434	327	141	120	109	16.3
SPK 4-19/19	1.1	845	518	327	141	120	109	16.9

* The weights apply to the standard range (A-version). For the stainless steel versions (I-version), add 1.3 kg.

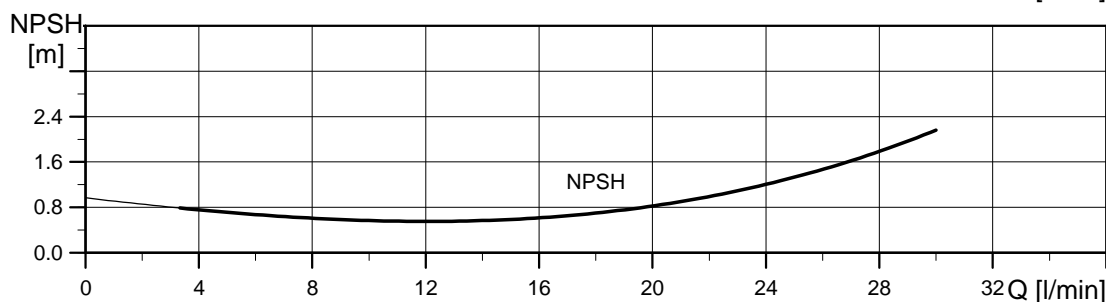
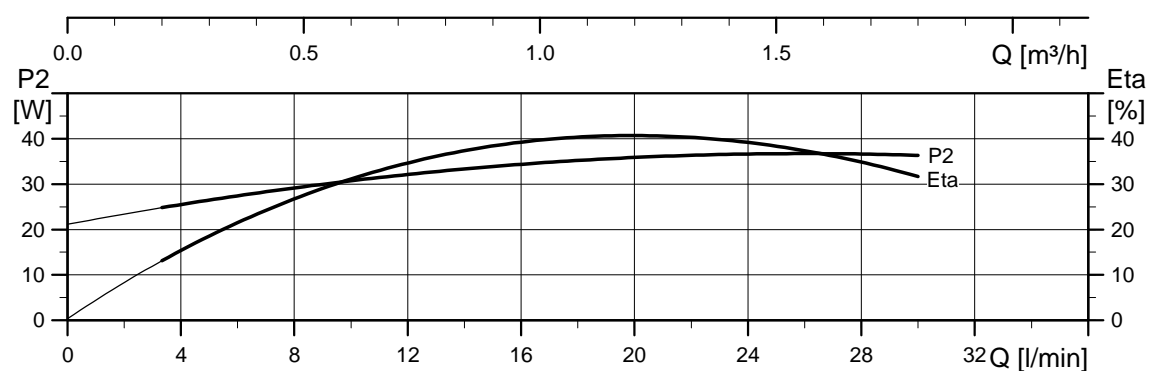
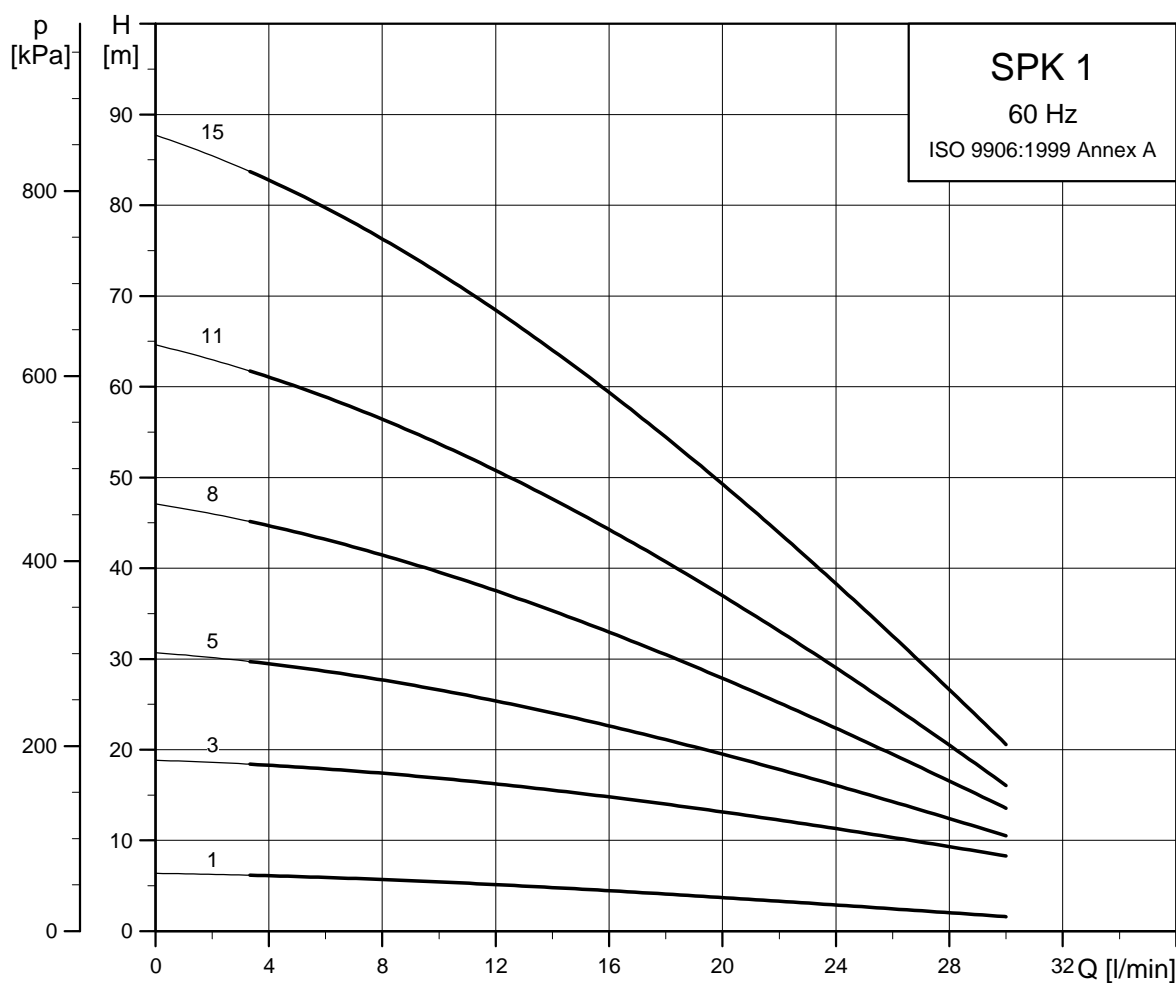
SPK with extension pipe

Pump type	P2 [kW]	Dimensions [mm]						Weight* [kg]
		A	B	C	AC	D2	AD	
SPK 4-19/19	1.1	1332	1005	327	141	120	109	22.1

* The weights apply to the standard range (A-version). For the stainless steel versions (I-version), add 1.3 kg.
For information about electrical data, see section [Motor data](#) on page 150.

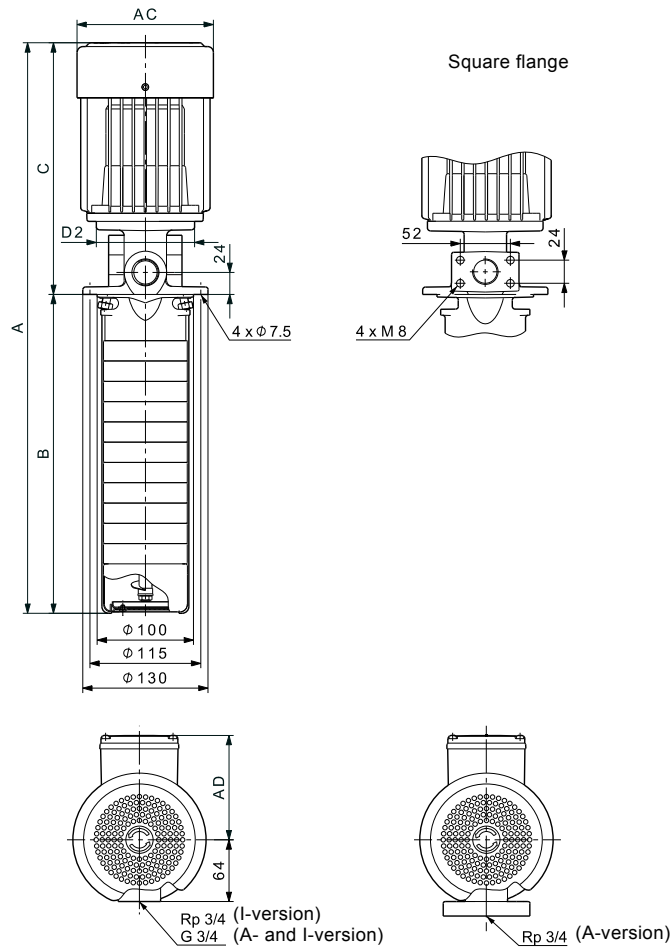
SPK, 60 Hz

SPK 1, 60 Hz



TM00 1931 3700

Dimensional sketches



TM04 5801 3313

Dimensions and weights

Pump type	P2 [kW]	Dimensions [mm]						Weight* [kg]
		A	B	C	AC	D2	AD	
SPK 1-1/1	0.06	395	140	255	124	90	101	9.3
SPK 1-3/3	0.12	437	182	255	124	90	101	9.0
SPK 1-5/5	0.25	470	224	246	141	102	109	9.0
SPK 1-8/8	0.25	533	287	246	141	102	109	11.8
SPK 1-11/11	0.37	617	350	267	141	102	109	12.8
SPK 1-15/15	0.55	701	434	267	141	102	109	13.4
SPK 1-19/15	0.55	785	518	267	141	102	109	13.8
SPK 1-23/15	0.55	869	602	267	141	102	109	14.3

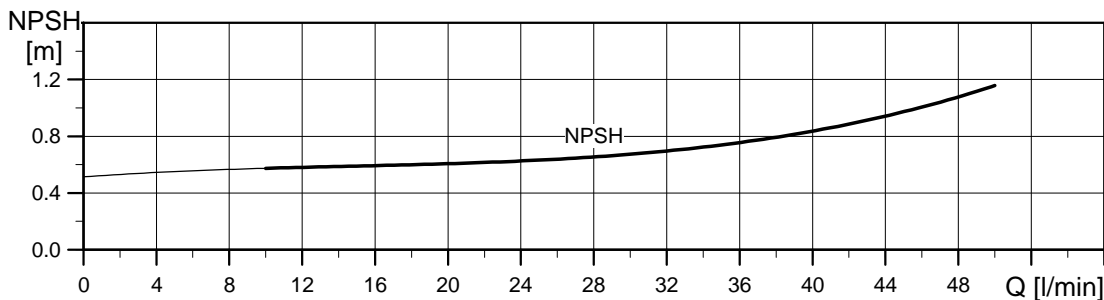
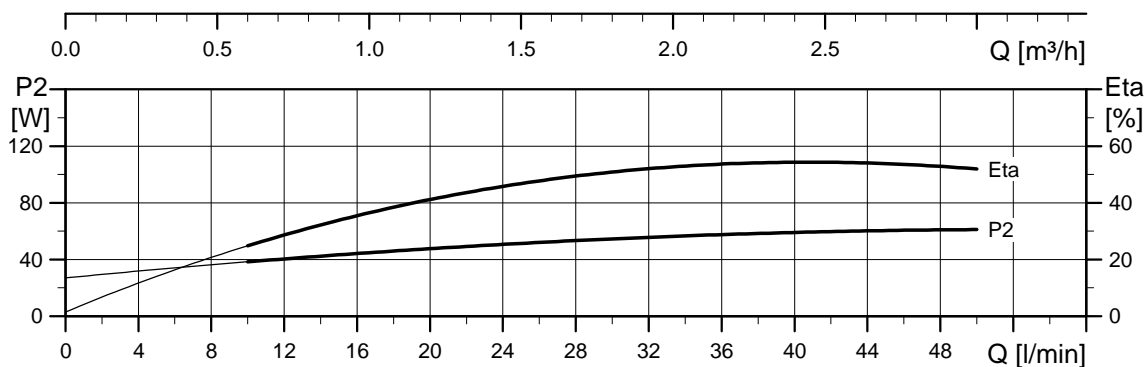
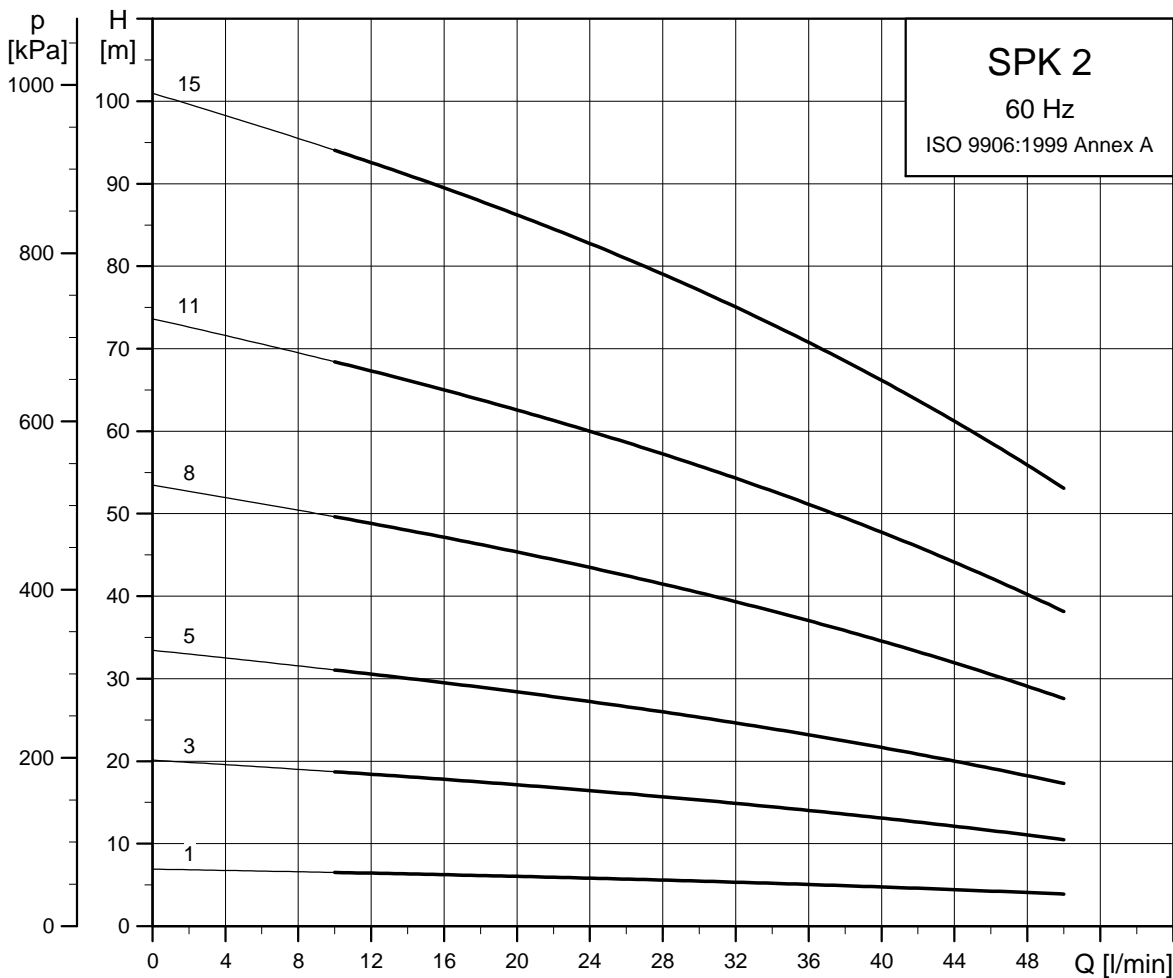
* The weights apply to the standard range (A-version). For the stainless steel versions (I-version), add 1 kg.

SPK with extension pipe

Pump type	P2 [kW]	Dimensions [mm]						Weight* [kg]
		A	B	C	AC	D2	AD	
SPK 1-23/15	0.55	1272	1005	267	141	102	109	19.0

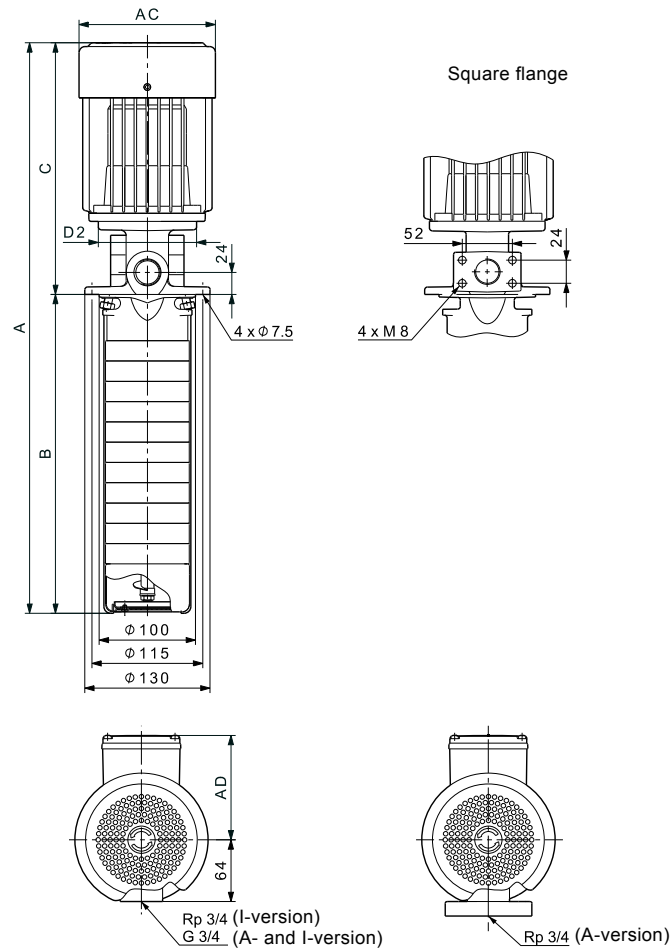
* The weights apply to the standard range (A-version). For the stainless steel versions (I-version), add 1 kg. For information about electrical data, see section [Motor data](#) on page 150.

SPK 2, 60 Hz



TM00 1933 3700

Dimensional sketches



TM04 5801 3313

Dimensions and weights

Pump type	P2 [kW]	Dimensions [mm]						Weight* [kg]
		A	B	C	AC	D2	AD	
SPK 2-1/1	0.06	395	140	255	124	90	101	9.3
SPK 2-3/3	0.25	437	182	255	141	90	109	8
SPK 2-5/5	0.37	491	224	267	141	102	109	11.2
SPK 2-8/8	0.55	554	287	267	141	102	109	11.5
SPK 2-11/11	0.75	657	350	307	141	120	109	14.9
SPK 2-15/15	1.1	761	434	327	141	120	109	18
SPK 2-19/15	1.1	845	518	327	141	120	109	18.5
SPK 2-23/15	1.1	929	602	327	141	120	109	18.9

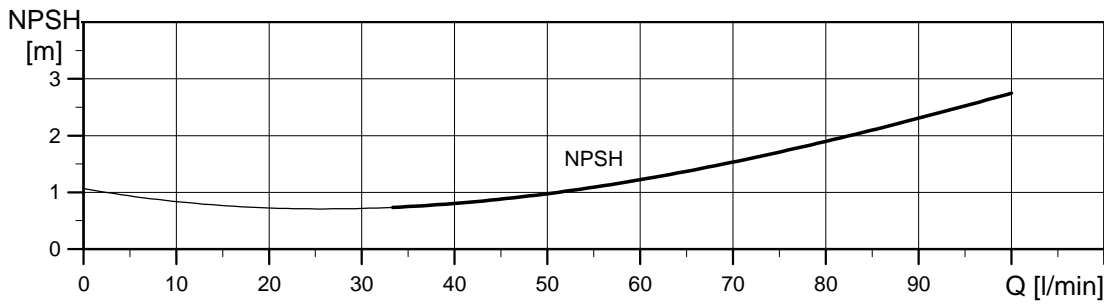
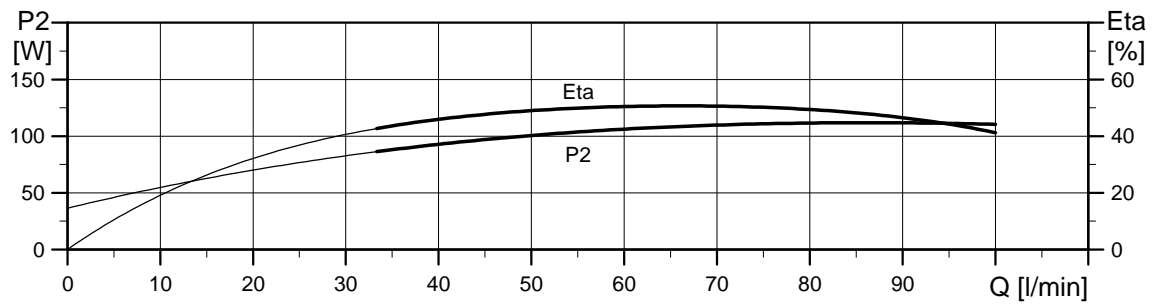
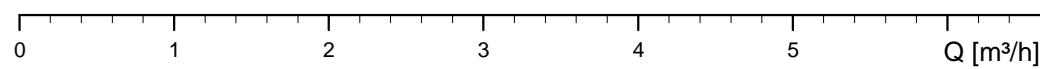
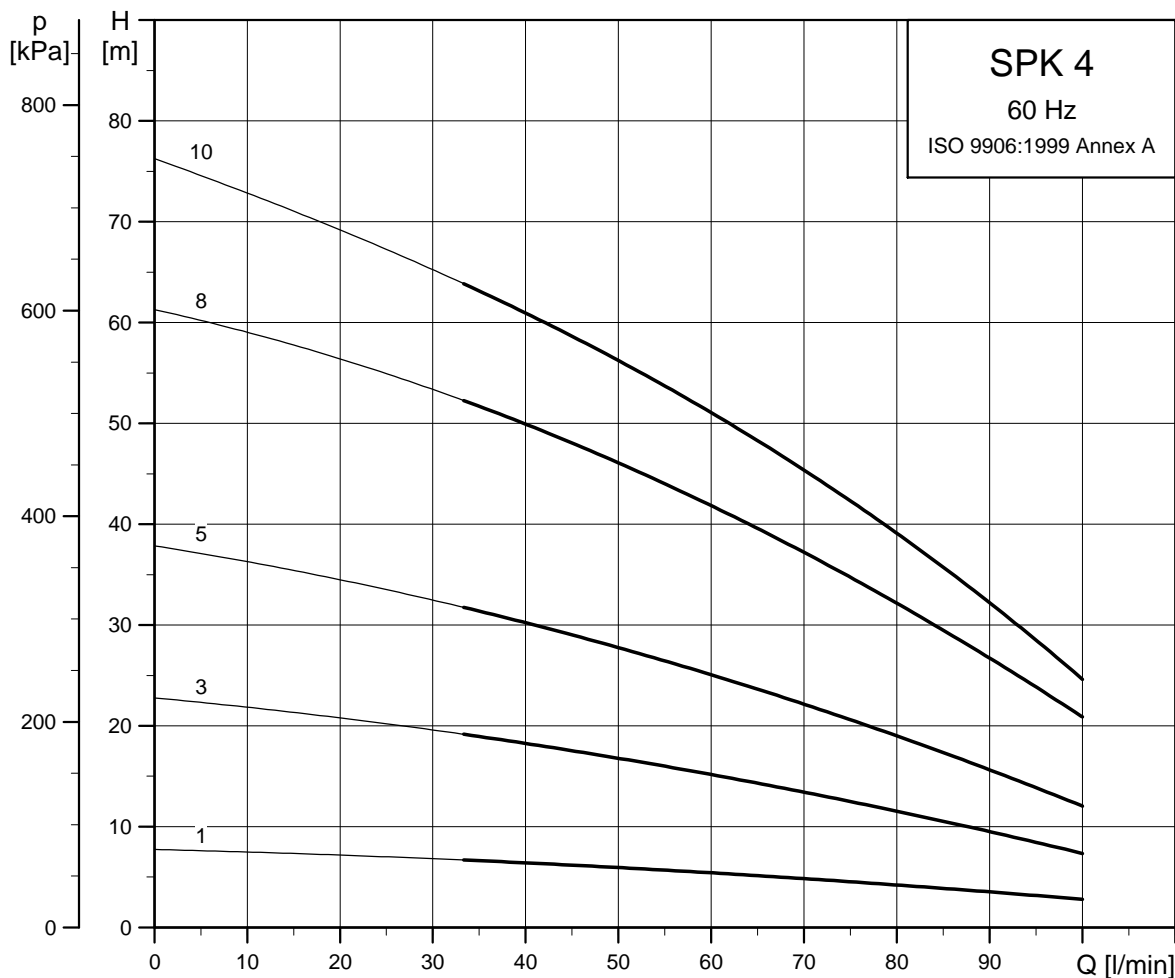
* The weights apply to the standard range (A-version). For the stainless steel versions (I-version), add 1 kg.

SPK with extension pipe

Pump type	P2 [kW]	Dimensions [mm]						Weight* [kg]
		A	B	C	AC	D2	AD	
SPK 2-23/15	1.1	1332	1005	327	141	120	109	23.6

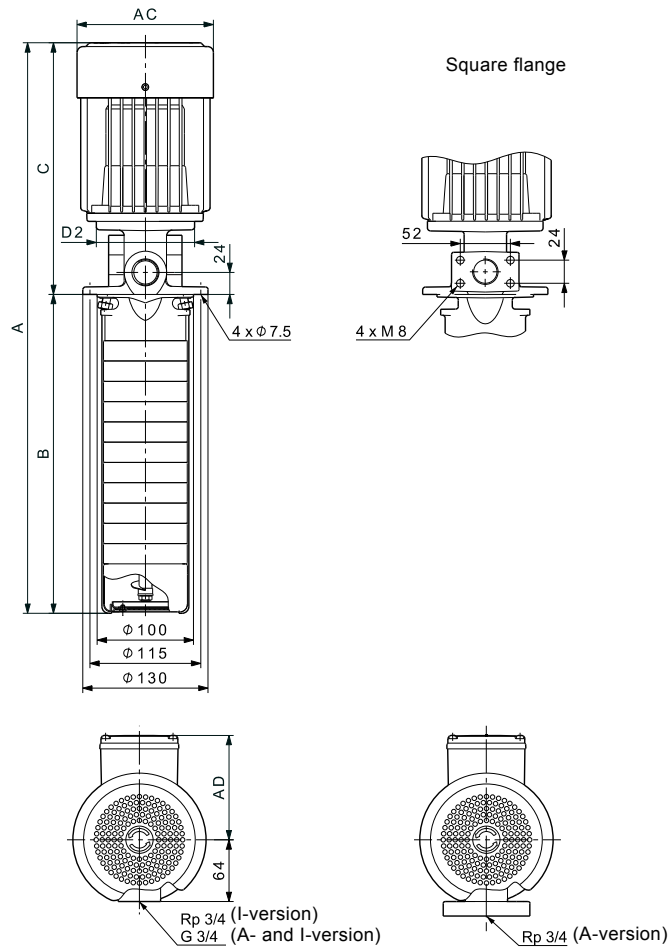
* The weights apply to the standard range (A-version). For the stainless steel versions (I-version), add 1 kg.
For information about electrical data, see section [Motor data](#) on page 150.

SPK 4, 60 Hz



TM00 1935 3700

Dimensional sketches



TM04 5801 3313

Dimensions and weights

Pump type	P2 [kW]	Dimensions [mm]						Weight* [kg]
		A	B	C	AC	D2	AD	
SPK 4-1/1	0.12	395	140	255	124	90	101	8.5
SPK 4-3/3	0.37	449	182	267	141	102	109	10.5
SPK 4-5/5	0.55	491	224	267	141	102	109	10.2
SPK 4-8/8	1.1	614	287	327	141	120	109	15.2
SPK 4-11/10	1.1	677	350	327	141	120	109	15.5
SPK 4-15/10	1.1	761	434	327	141	120	109	16.1
SPK 4-19/10	1.1	845	518	327	141	120	109	16.6

* The weights apply to the standard range (A-version). For the stainless steel versions (I-version), add 1.3 kg.

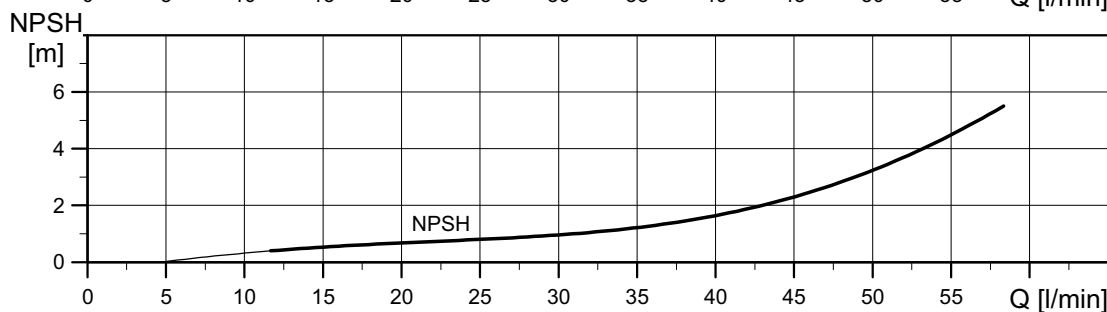
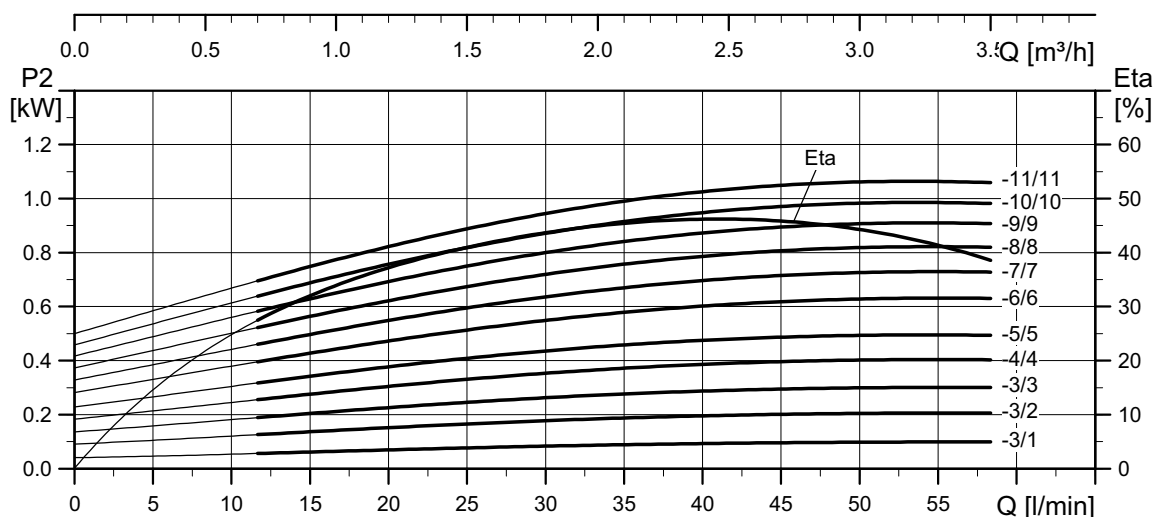
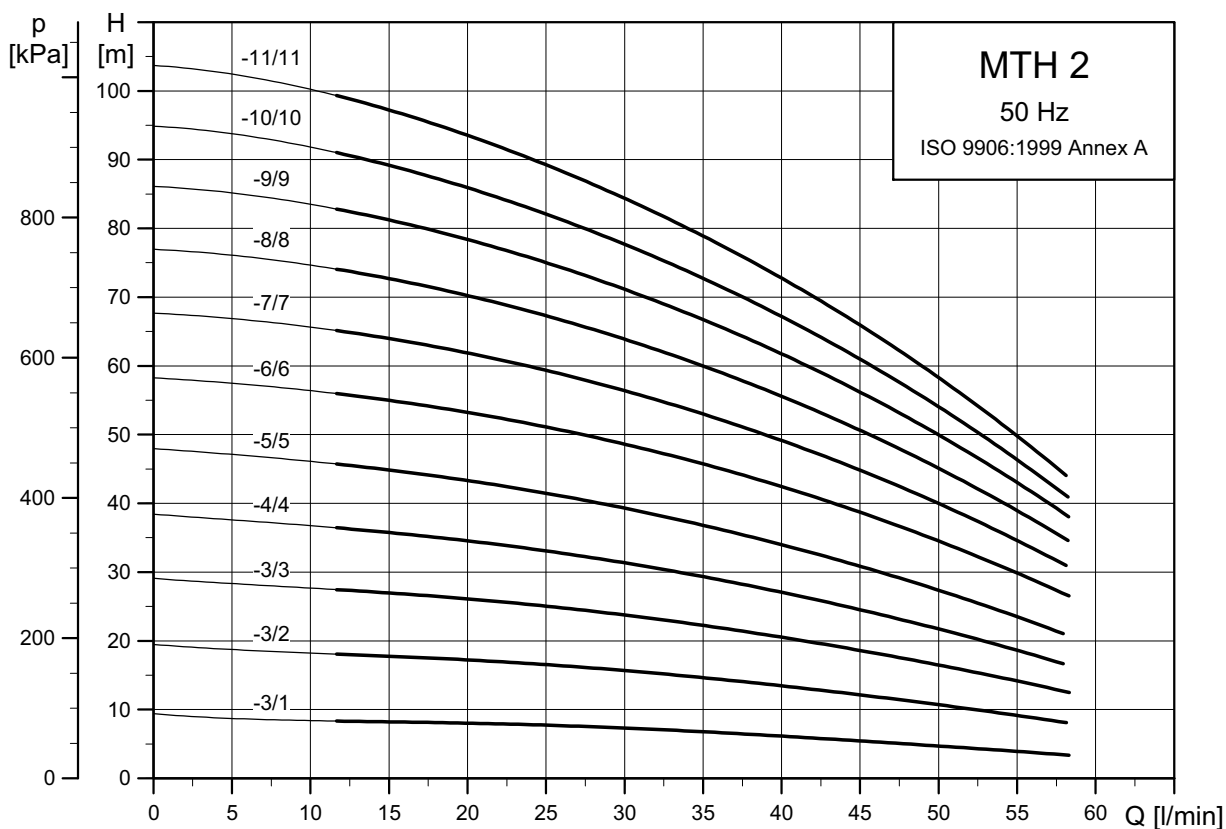
SPK with extension pipe

Pump type	P2 [kW]	Dimensions [mm]						Weight* [kg]
		A	B	C	AC	D2	AD	
SPK 4-19/10	1.1	1332	1005	327	141	120	109	21.8

* The weights apply to the standard range (A-version). For the stainless steel versions (I-version), add 1.3 kg. For information about electrical data, see section [Motor data](#) on page 150.

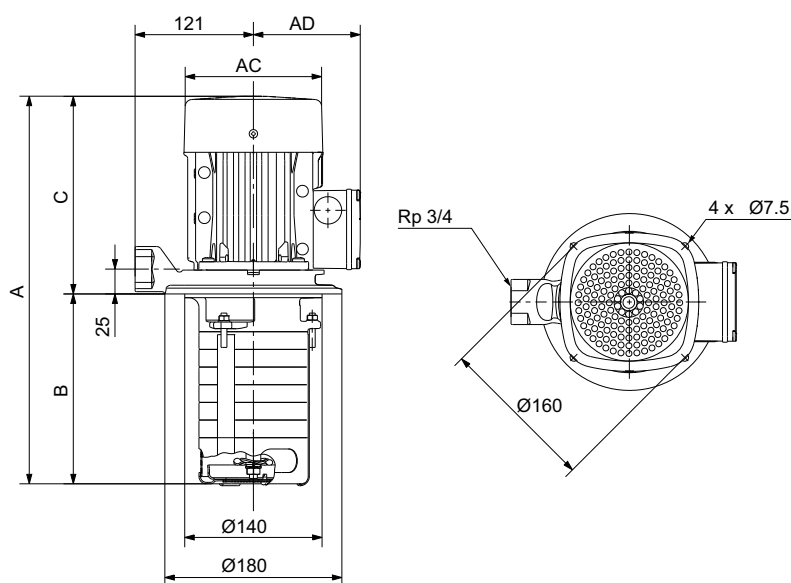
MTH, 50 Hz

MTH 2, 50 Hz



TM02 7824 3516

Dimensional sketches



TM06 7672 3816

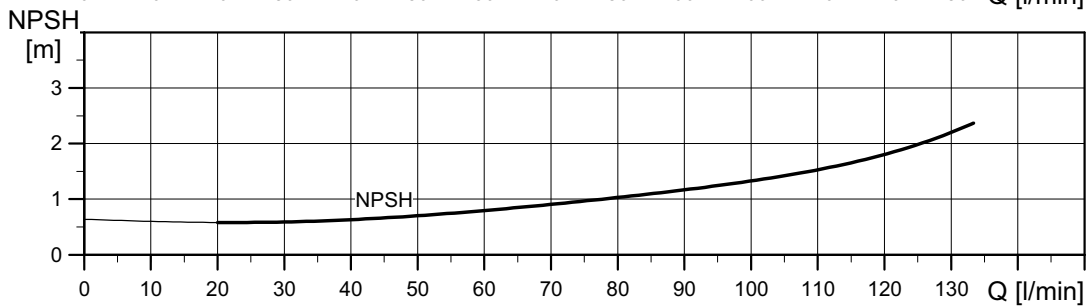
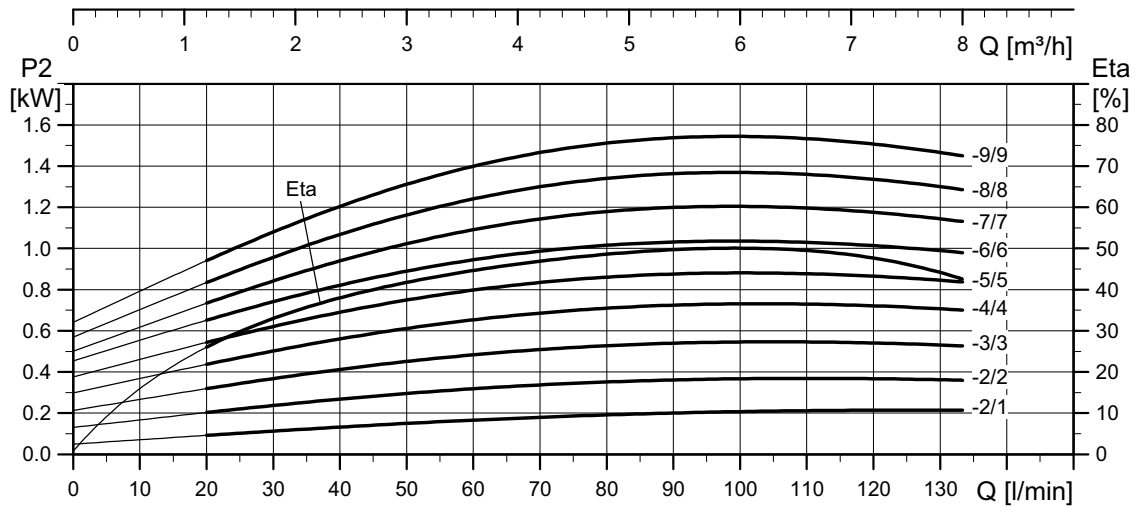
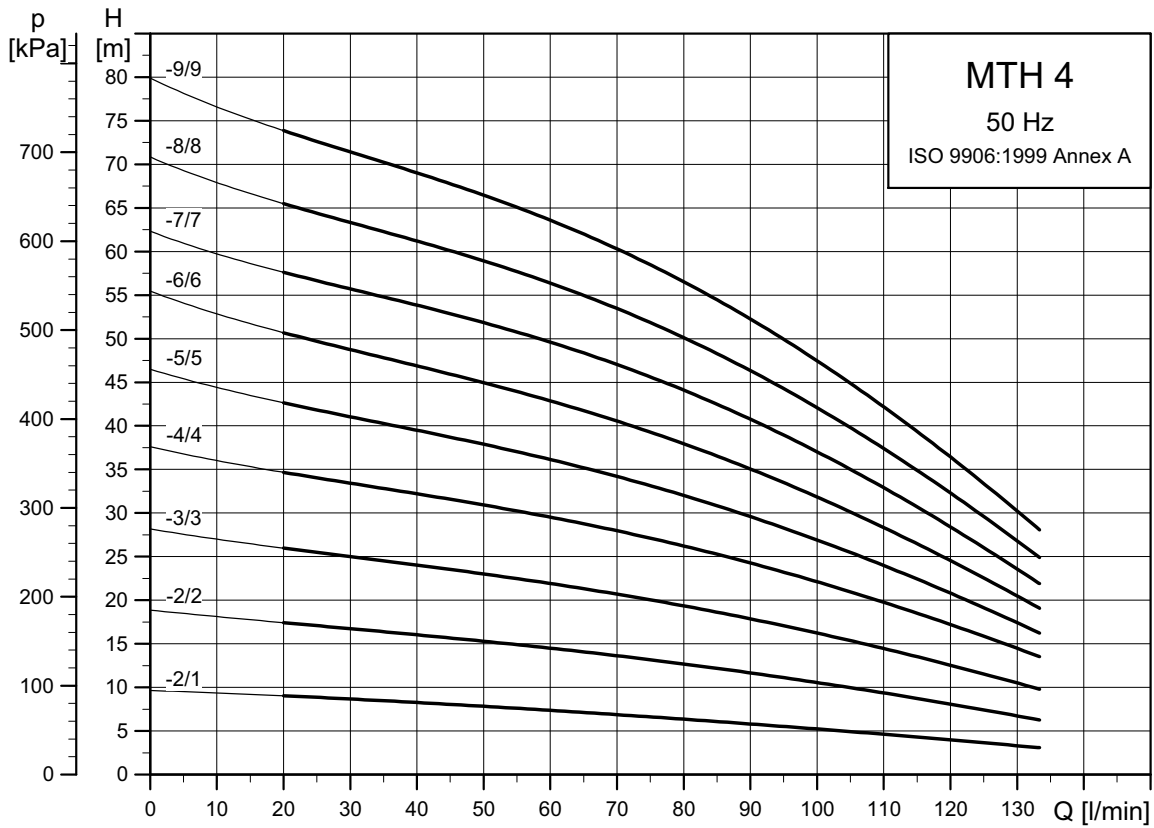
Dimensions and weights

Pump type	Motor P2 [kW]	Dimensions [mm]					Weight [kg]
		A	B	C	AC	AD	
MTH 2-3/1	0.55	347	145	202	141	109	10.2
MTH 2-3/2	0.55	347	145	202	141	109	10.3
MTH 2-3/3	0.55	347	145	202	141	109	10.4
MTH 2-4/1	0.55	365	163	202	141	109	10.4
MTH 2-4/2	0.55	365	163	202	141	109	10.5
MTH 2-4/3	0.55	365	163	202	141	109	10.6
MTH 2-4/4	0.75	405	163	242	141	109	10.8
MTH 2-5/1	0.55	383	181	202	141	109	10.6
MTH 2-5/2	0.55	383	181	202	141	109	10.7
MTH 2-5/3	0.55	383	181	202	141	109	10.8
MTH 2-5/4	0.75	423	181	242	141	109	11.2
MTH 2-5/5	0.75	423	181	242	141	109	11.3
MTH 2-6/1	0.55	401	199	202	141	109	10.8
MTH 2-6/2	0.55	401	199	202	141	109	10.9
MTH 2-6/3	0.55	401	199	202	141	109	11
MTH 2-6/4	0.75	441	199	242	141	109	13.6
MTH 2-6/5	0.75	441	199	242	141	109	13.7
MTH 2-6/6	1.1	461/441*	199	262/242*	141	109	14.8/13.8*
MTH 2-7/1	0.55	419	217	202	141	109	11
MTH 2-7/2	0.55	419	217	202	141	109	11.1
MTH 2-7/3	0.55	419	217	202	141	109	11.2
MTH 2-7/4	0.75	459	217	242	141	109	13.8
MTH 2-7/5	0.75	459	217	242	141	109	13.9
MTH 2-7/6	1.1	479/459*	217	262/242*	141	109	15/14*
MTH 2-7/7	1.1	479/459*	217	262/242*	141	109	15.1/14.1*
MTH 2-8/1	0.55	437	235	202	141	109	11.2
MTH 2-8/2	0.55	437	235	202	141	109	11.3
MTH 2-8/3	0.55	437	235	202	141	109	11.4
MTH 2-8/4	0.75	477	235	242	141	109	14
MTH 2-8/5	0.75	477	235	242	141	109	14.1
MTH 2-8/6	1.1	497/477*	235	262/242*	141	109	15.2/14.2*
MTH 2-8/7	1.1	497/477*	235	262/242*	141	109	15.3/14.3*
MTH 2-8/8	1.1	497/477*	235	262/242*	141	109	15.4/14.4*
MTH 2-9/1	0.55	455	253	202	141	109	11.4
MTH 2-9/2	0.55	455	253	202	141	109	11.5
MTH 2-9/3	0.55	455	253	202	141	109	11.6
MTH 2-9/4	0.75	495	253	242	141	109	14.4
MTH 2-9/5	0.75	495	253	242	141	109	14.5

Pump type	Motor P2 [kW]	Dimensions [mm]					Weight [kg]
		A	B	C	AC	AD	
MTH 2-9/6	1.1	515/495*	253	262/242*	141	109	15.6/14.6*
MTH 2-9/7	1.1	515/495*	253	262/242*	141	109	15.7/14.7*
MTH 2-9/8	1.1	515/495*	253	262/242*	141	109	15.8/14.8*
MTH 2-9/9	1.1	515/495*	253	262/242*	141	109	15.9/14.9*
MTH 2-10/1	0.55	473	271	202	141	109	11.6
MTH 2-10/2	0.55	473	271	202	141	109	11.7
MTH 2-10/3	0.55	473	271	202	141	109	11.8
MTH 2-10/4	0.75	513	271	242	141	109	14.7
MTH 2-10/5	0.75	513	271	242	141	109	14.8
MTH 2-10/6	1.1	533/513*	271	262/242*	141	109	15.9/15.9*
MTH 2-10/7	1.1	533/513*	271	262/242*	141	109	16/15*
MTH 2-10/8	1.1	533/513*	271	262/242*	141	109	16.1/15.1*
MTH 2-10/9	1.1	533/513*	271	262/242*	141	109	16.2/15.2*
MTH 2-10/10	1.1	533/513*	271	262/242*	141	109	16.3/15.3*
MTH 2-11/1	0.55	491	289	202	141	109	11.8
MTH 2-11/2	0.55	491	289	202	141	109	11.9
MTH 2-11/3	0.55	491	289	202	141	109	12
MTH 2-11/4	0.75	531	289	242	141	109	14.9
MTH 2-11/5	0.75	531	289	242	141	109	15
MTH 2-11/6	1.1	551/531*	289	262/242*	141	109	16.1/15.1*
MTH 2-11/7	1.1	551/531*	289	262/242*	141	109	16.2/15.2*
MTH 2-11/8	1.1	551/531*	289	262/242*	141	109	16.3/15.3*
MTH 2-11/9	1.1	551/531*	289	262/242*	141	109	16.4/15.4*
MTH 2-11/10	1.1	551/531*	289	262/242*	141	109	16.5/15.5*
MTH 2-11/11	1.1	551/531*	289	262/242*	141	109	16.6/15.6*

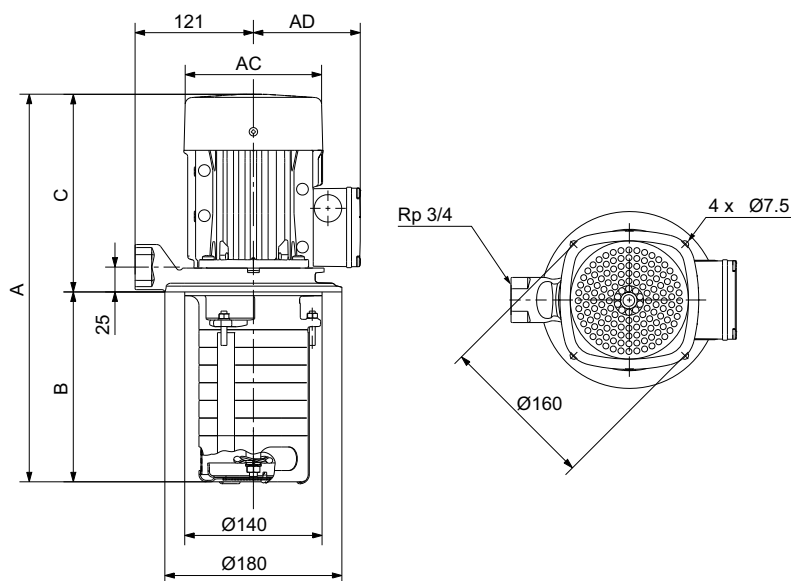
* Applies to pumps fitted with 200 V motors.

MTH 4, 50 Hz



TM02 7825 3616

Dimensional sketches



TM06 7672 3816

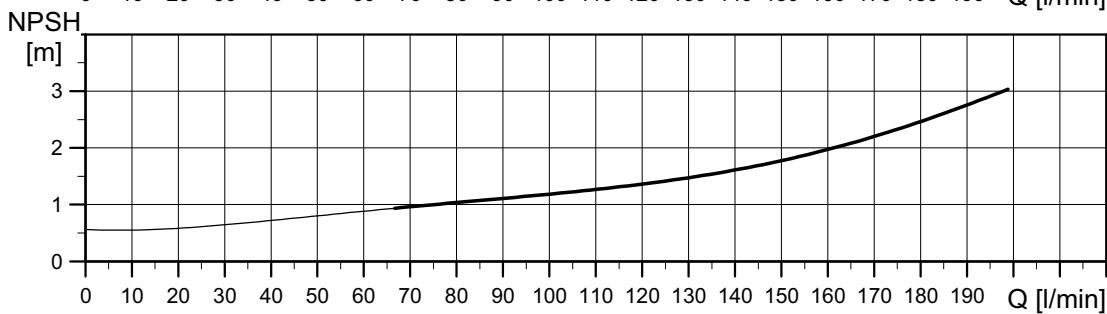
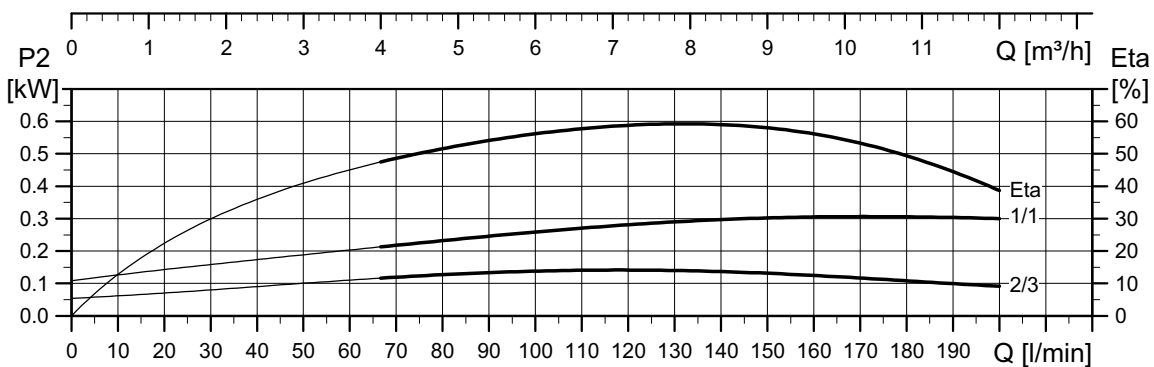
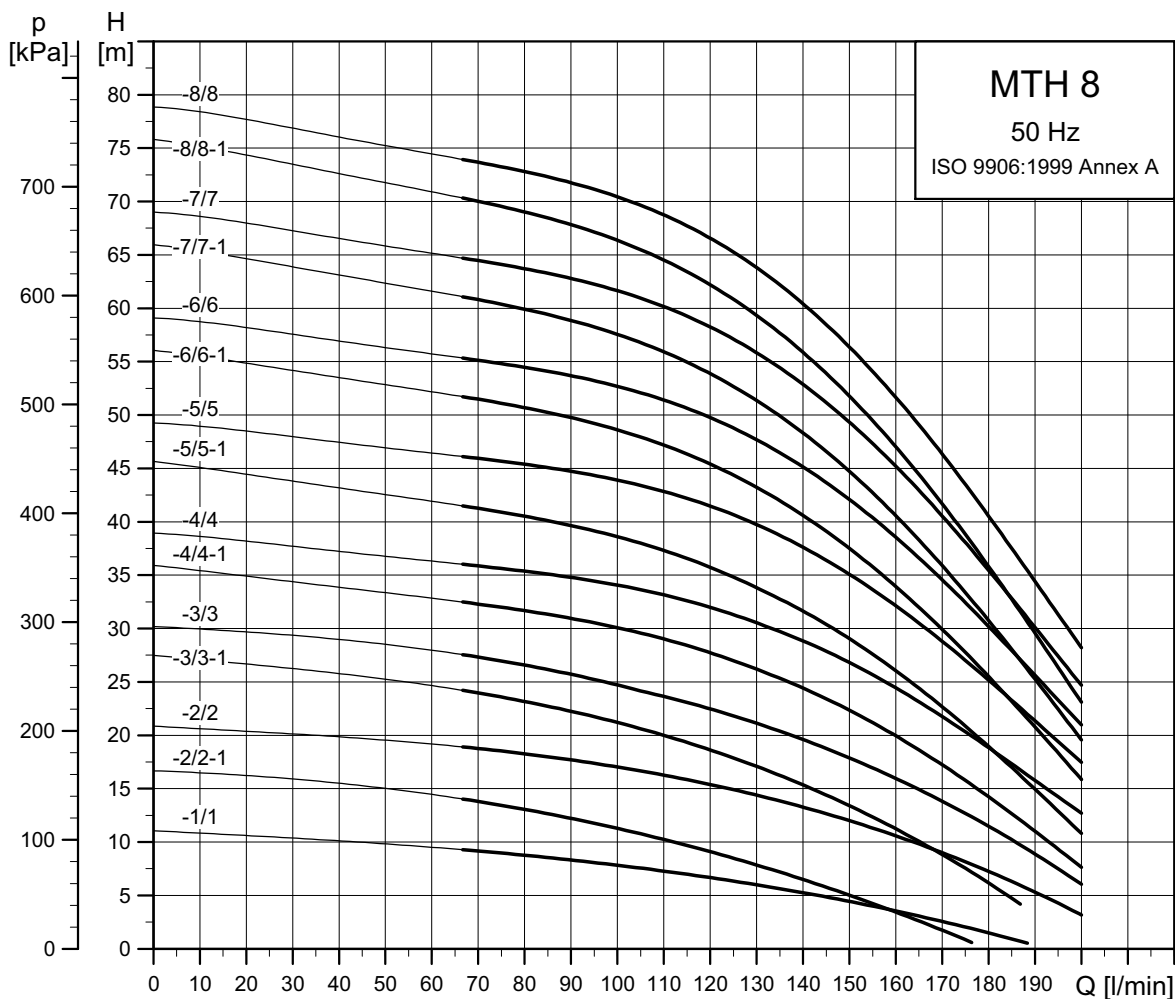
Dimensions and weights

Pump type	Motor P2 [kW]	Dimensions [mm]					Weight [kg]
		A	B	C	AC	AD	
MTH 4-2/1	0.55	347	145	202	141	109	10.1
MTH 4-2/2	0.55	347	145	202	141	109	10.2
MTH 4-3/1	0.55	374	172	202	141	109	10.3
MTH 4-3/2	0.55	374	172	202	141	109	10.4
MTH 4-3/3	0.75	414	172	242	141	109	10.9
MTH 4-4/1	0.55	401	199	202	141	109	10.5
MTH 4-4/2	0.55	401	199	202	141	109	10.6
MTH 4-4/3	0.75	441	199	242	141	109	12.4
MTH 4-4/4	1.1	461/441*	199	262/242*	141	109	13.5/12.5*
MTH 4-5/1	0.55	428	226	202	141	109	10.7
MTH 4-5/2	0.55	428	226	202	141	109	10.8
MTH 4-5/3	0.75	468	226	242	141	109	14
MTH 4-5/4	1.1	488/468*	226	262/242*	141	109	15.1/14.1*
MTH 4-5/5	1.1	488/468*	226	262/242*	141	109	15.2/14.2*
MTH 4-6/1	0.55	455	253	202	141	109	10.9
MTH 4-6/2	0.55	455	253	202	141	109	11
MTH 4-6/3	0.75	495	253	242	141	109	14.5
MTH 4-6/4	1.1	515/495*	253	262/242*	141	109	15.6/14.6*
MTH 4-6/5	1.1	515/495*	253	262/242*	141	109	15.7/14.7*
MTH 4-6/6	1.1	515/495*	253	262/242*	141	109	15.8/14.8*
MTH 4-7/1	0.55	482	280	202	141	109	11.1
MTH 4-7/2	0.55	482	280	202	141	109	11.2
MTH 4-7/3	0.75	522	280	242	141	109	15.6
MTH 4-7/4	1.1	542/522*	280	262/242*	141	109	16.7/15.7*
MTH 4-7/5	1.1	542/522*	280	262/242*	141	109	16.8/15.8*
MTH 4-7/6	1.1	542/522*	280	262/242*	141	109	16.9/15.9*
MTH 4-7/7	1.5	592/632*	280	312/352*	178	110	23.9/26.9*
MTH 4-8/1	0.55	509	307	202	202	141	11.3
MTH 4-8/2	0.55	509	307	202	202	141	11.4
MTH 4-8/3	0.75	549	307	242	242	141	15.9
MTH 4-8/4	1.1	569/549*	307	262/242*	242	141	17/16*
MTH 4-8/5	1.1	569/549*	307	262/242*	242	141	17.1/16.1*
MTH 4-8/6	1.1	569/549*	307	262/242*	242	141	17.2/16.2*
MTH 4-8/7	1.5	619/659*	307	312/352*	178	110	24.2/27.2*
MTH 4-8/8	1.5	619/659*	307	312/352*	178	110	24.3/27.3*
MTH 4-9/1	0.55	509	307	202	141	109	11.4
MTH 4-9/2	0.55	509	307	202	141	109	11.5
MTH 4-9/3	0.75	549	307	242	141	109	15.9

Pump type	Motor P2 [kW]	Dimensions [mm]					Weight [kg]
		A	B	C	AC	AD	
MTH 4-9/4	1.1	569/549*	307	262/242*	141	109	17/18*
MTH 4-9/5	1.1	569/549*	307	262/242*	141	109	17.1/18.1*
MTH 4-9/6	1.1	569/549*	307	262/242*	141	109	17.2/18.2*
MTH 4-9/7	1.5	619/659*	307	312/352*	178	110	24.2/27.2*
MTH 4-9/8	1.5	619/659*	307	312/352*	178	110	24.3/27.3*
MTH 4-9/9	2.2	659	307	352	178	110	27.8/29.8

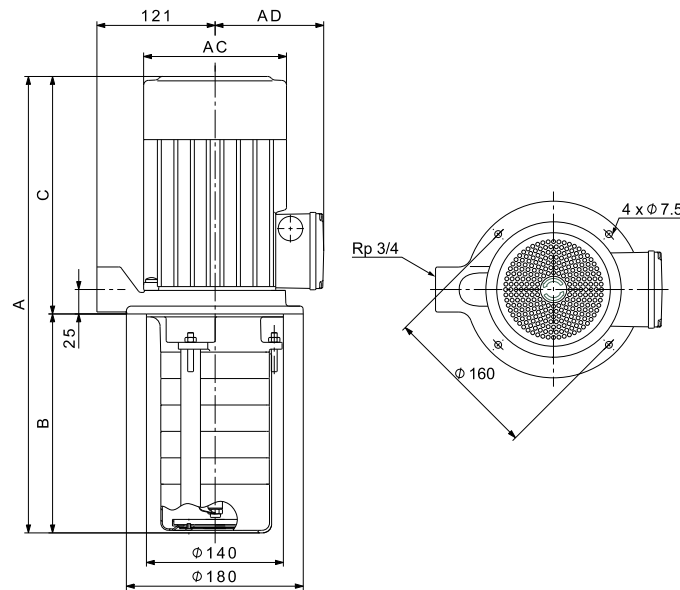
* Applies to pumps fitted with 200 V motors.

MTH 8, 50 Hz



TM06 2381 1516

Dimensional sketches



TM06 2065 3614

Dimensions and weights

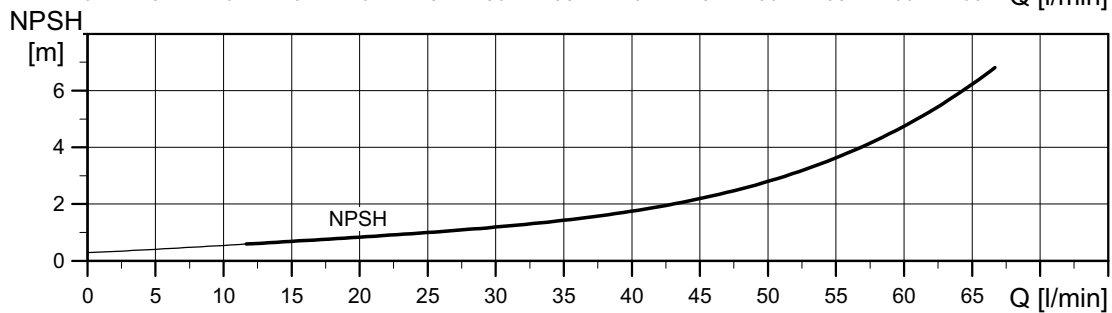
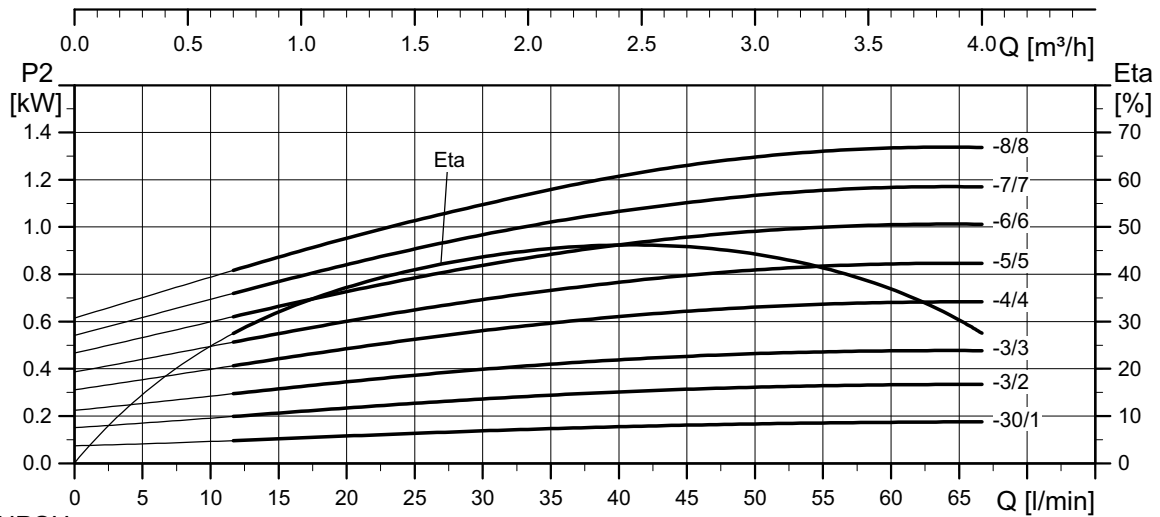
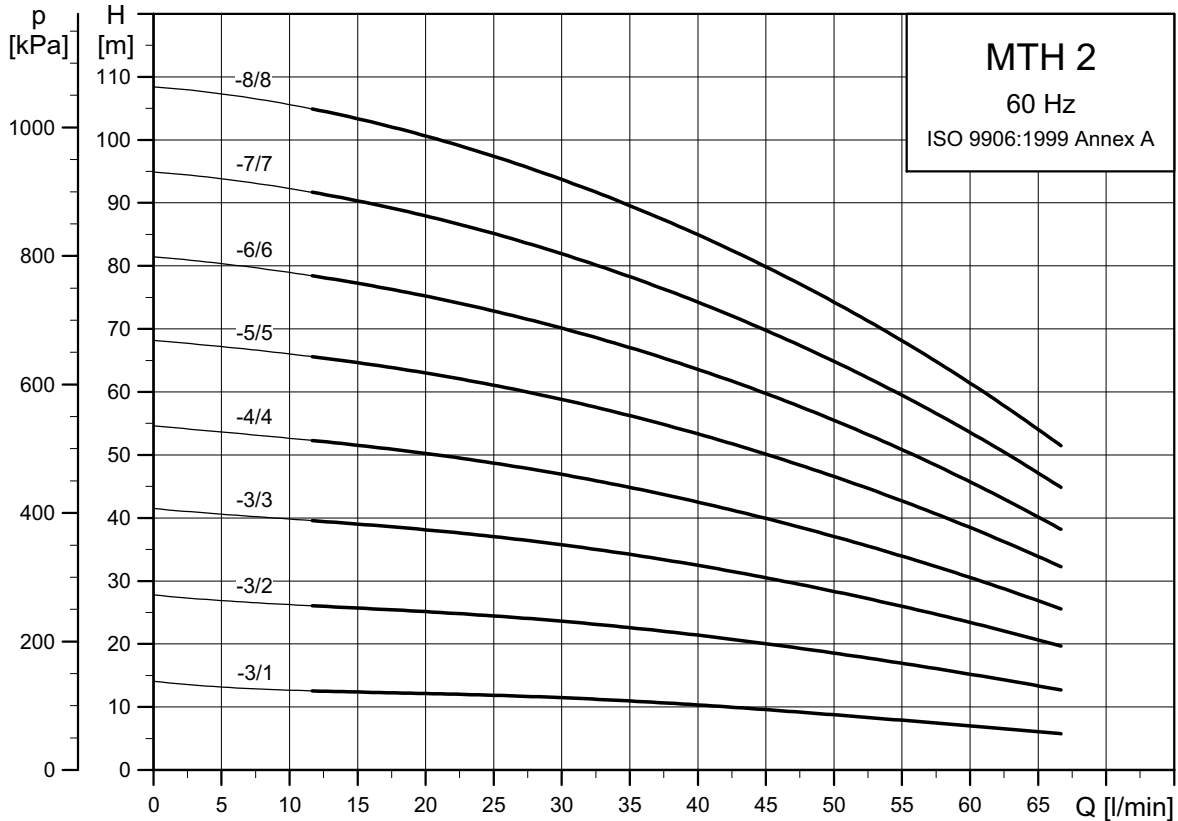
Pump type	Motor P2 [kW]	Dimensions [mm]					Weight [kg]
		A	B	C	AC	AD	
MTH 8-1/1	0.55	347	145	202	141	109	12.5
MTH 8-2/2-1	0.55	374	172	202	141	109	13
MTH 8-2/2	0.75	414	172	242	141	109	15.5
MTH 8-3/1	0.55	401	199	202	141	109	13.3
MTH 8-3/2-1	0.55	401	199	202	141	109	13.4
MTH 8-3/2	0.75	441	199	242	141	109	15.9
MTH 8-3/3-1	0.75	441	199	242	141	109	16
MTH 8-3/3	1.1	461/441*	199	262/242*	141	109	18.5/17.5*
MTH 8-4/1	0.55	428	226	202	141	109	13.7
MTH 8-4/2-1	0.55	428	226	202	141	109	13.8
MTH 8-4/2	0.75	468	226	242	141	109	16.3
MTH 8-4/3-1	0.75	468	226	242	141	109	16.4
MTH 8-4/3	1.1	488/468*	226	262/242*	141	109	18.9/17.9
MTH 8-4/4-1	1.1	488/468*	226	262/242*	141	109	19/18*
MTH 8-4/4	1.5	538/578*	226	312/352*	178	110	26/29*
MTH 8-5/1	0.55	455	253	202	141	109	15.5
MTH 8-5/2-1	0.55	455	253	202	141	109	15.6
MTH 8-5/2	0.75	495	253	242	141	109	18.1
MTH 8-5/3-1	0.75	495	253	242	141	109	18.2
MTH 8-5/3	1.1	515/495*	253	262/242*	141	109	19.3/18.3*
MTH 8-5/4-1	1.1	515/495*	253	262/242*	141	109	19.4/18.4*
MTH 8-5/4	1.5	565/605*	253	312/352*	178	110	26.4/29.4*
MTH 8-5/5-1	1.5	565/605*	253	312/352*	178	110	26.5/29.5*
MTH 8-5/5	2.2	605	253	352	178	110	29
MTH 8-6/1	0.55	482	280	202	141	109	15.9
MTH 8-6/2-1	0.55	482	280	202	141	109	16
MTH 8-6/2	0.75	522	280	242	141	109	18.5
MTH 8-6/3-1	0.75	522	280	242	141	109	18.6
MTH 8-6/3	1.1	542/522*	280	262/242*	141	109	19.7/18.7*
MTH 8-6/4-1	1.1	542/522*	280	262/242*	141	109	19.8/18.8*
MTH 8-6/4	1.5	592/632*	280	312/352*	178	110	26.8/28.8*
MTH 8-6/5-1	1.5	592/632*	280	312/352*	178	110	26.9/28.9*
MTH 8-6/5	2.2	632	280	352	178	110	29.4/31.4*
MTH 8-6/6-1	2.2	632	280	352	178	110	29.5/31.5
MTH 8-6/6	2.2	632	280	352	178	110	29.5/31.5
MTH 8-7/1	0.55	509	307	202	141	109	15.1
MTH 8-7/2-1	0.55	509	307	202	141	109	15.2
MTH 8-7/2	0.75	549	307	242	141	109	16.4

Pump type	Motor P2 [kW]	Dimensions [mm]					Weight [kg]
		A	B	C	AC	AD	
MTH 8-7/3-1	0.75	549	307	242	141	109	18.9
MTH 8-7/3	1.1	569/549*	307	262/242*	141	109	20/19*
MTH 8-7/4-1	1.1	569/549*	307	262/242*	141	109	20.1/19.1*
MTH 8-7/4	1.5	619/659*	307	312/352*	178	110	27.1/29.1*
MTH 8-7/5-1	1.5	619/659*	307	312/352*	178	110	27.2/29.2*
MTH 8-7/5	2.2	659	307	352	178	110	29.7/31.7*
MTH 8-7/6-1	2.2	659	307	352	178	110	29.8/31.8*
MTH 8-7/6	2.2	659	307	352	178	110	29.9/31.9*
MTH 8-7/7-1	2.2	659	307	352	178	110	30/32
MTH 8-7/7	2.2	659	307	352	178	110	30/32
MTH 8-8/1	0.55	536	334	202	141	109	14.8
MTH 8-8/2-1	0.55	536	334	202	141	109	14.9
MTH 8-8/2	0.75	576	334	242	141	109	17.4
MTH 8-8/3-1	0.75	576	334	242	141	109	17.5
MTH 8-8/3	1.1	596/576*	334	262/242*	141	109	20/19*
MTH 8-8/4-1	1.1	596/576*	334	262/242*	141	109	20.1/19.1*
MTH 8-8/4	1.5	646/686*	334	312/352*	178	110	27.1/30.1*
MTH 8-8/5-1	1.5	646/686*	334	312/352*	178	110	27.2/30.2*
MTH 8-8/5	2.2	686	334	352	178	110	29.7/31.7*
MTH 8-8/6-1	2.2	686	334	352	178	110	29.8/31.8
MTH 8-8/6	2.2	686	334	352	178	110	29.9/31.9
MTH 8-8/7-1	2.2	686	334	352	178	110	30/32
MTH 8-8/7	2.2	686	334	352	178	110	30/32
MTH 8-8/8-1	3	704	334	370	198	120	33.5/35
MTH 8-8/8	3	704	334	370	198	120	33.5/35

* Applies to pumps fitted with 200 V motors.

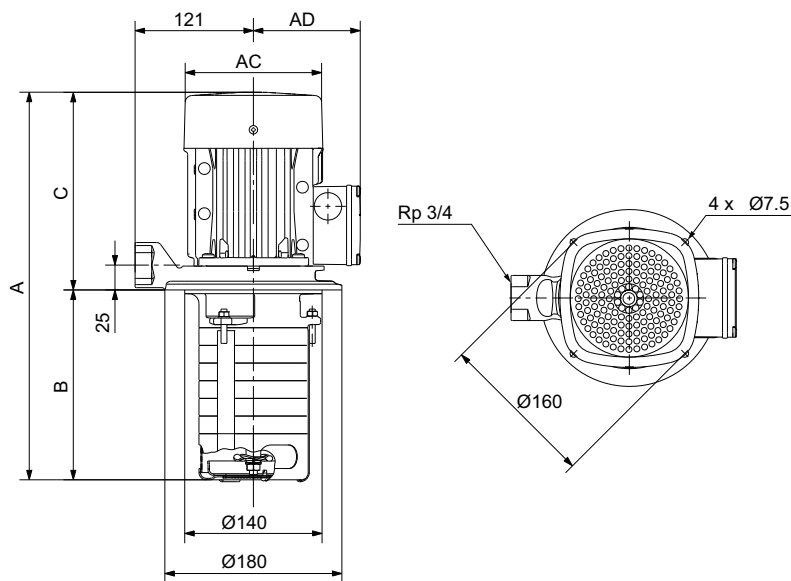
MTH, 60 Hz

MTH 2, 60 Hz



TM02 7826 3616

Dimensional sketches



TM06 7672 3816

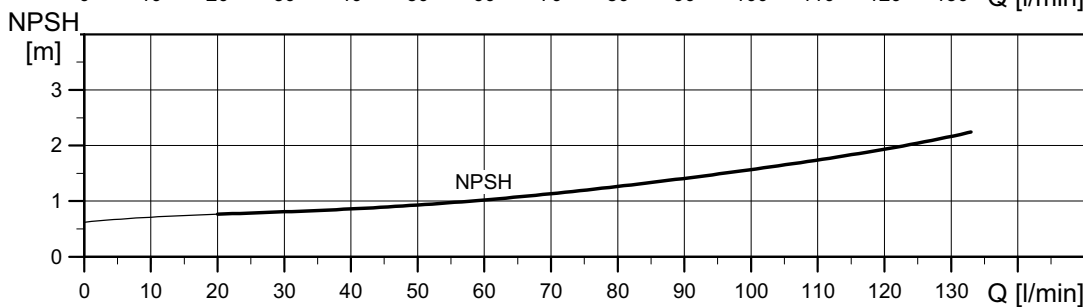
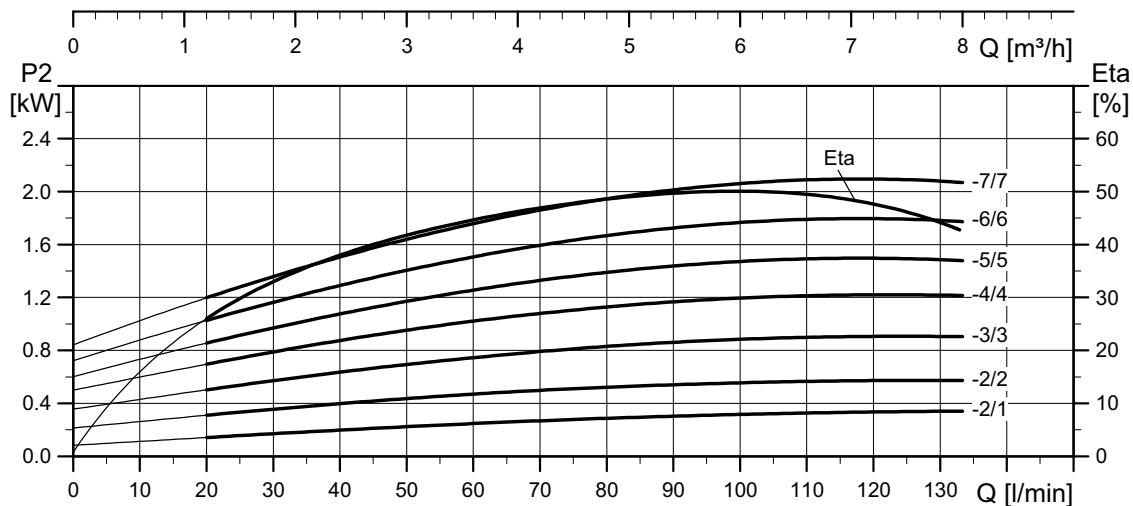
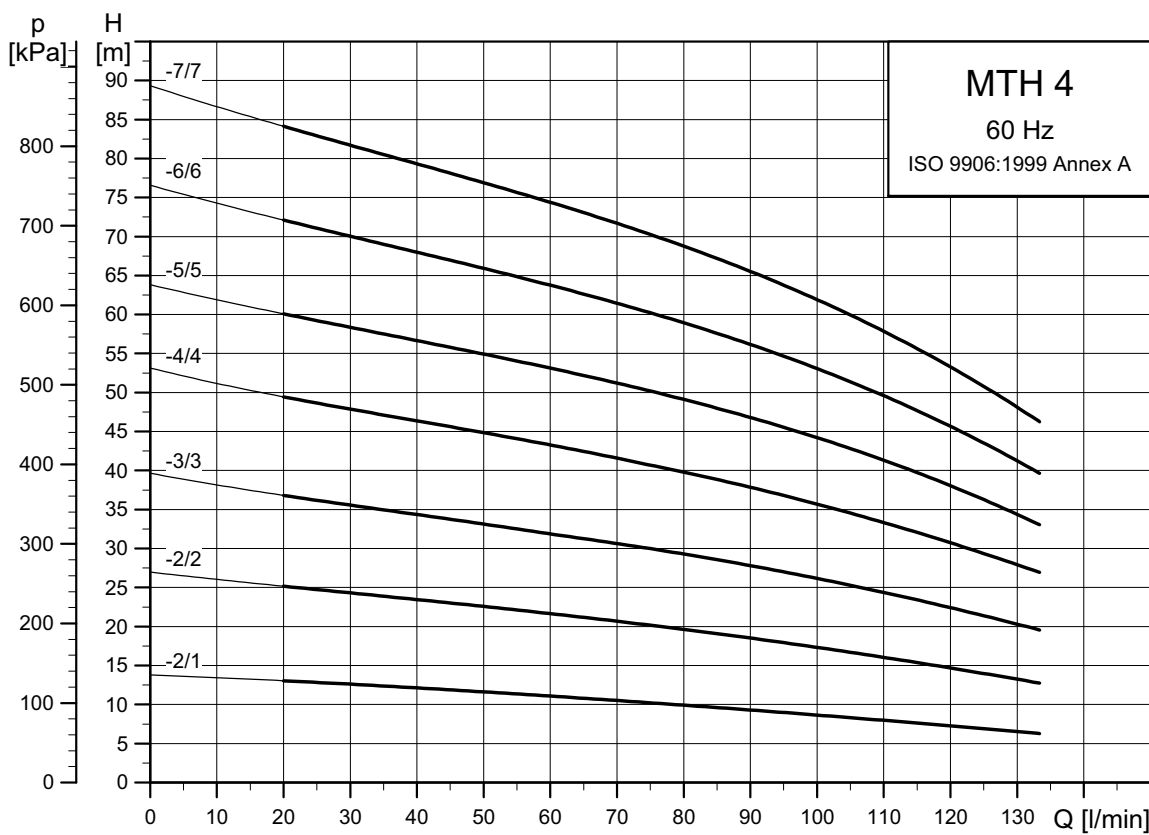
Dimensions and weights

Pump type	Motor P2 [kW]	Dimensions [mm]					Weight [kg]
		A	B	C	AC	AD	
MTH 2-3/1	0.55	347	145	202	135	109	10.4
MTH 2-3/2	0.55	347	145	202	135	109	10.5
MTH 2-3/3	0.55	347	145	202	135	109	10.6
MTH 2-4/1	0.55	365	163	202	135	109	10.6
MTH 2-4/2	0.55	365	163	202	135	109	10.7
MTH 2-4/3	0.55	365	163	202	135	109	10.8
MTH 2-4/4	0.75	405	163	242	142	109	12
MTH 2-5/1	0.55	383	181	202	135	109	10.8
MTH 2-5/2	0.55	383	181	202	135	109	10.9
MTH 2-5/3	0.55	383	181	202	135	109	11
MTH 2-5/4	0.75	423	181	242	142	109	12.2
MTH 2-5/5	0.75	423	181	242	142	109	12.3
MTH 2-6/1	0.55	401	199	202	135	109	11
MTH 2-6/2	0.55	401	199	202	135	109	11.1
MTH 2-6/3	0.55	401	199	202	135	109	11.2
MTH 2-6/4	0.75	441	199	242	142	109	13.9
MTH 2-6/5	0.75	441	199	242	142	109	14
MTH 2-6/6	1.1	461/441*	199	262/242*	142	109	15.1/14.1*
MTH 2-7/1	0.55	419	217	202	135	109	11.2
MTH 2-7/2	0.55	419	217	202	135	109	11.3
MTH 2-7/3	0.55	419	217	202	135	109	11.4
MTH 2-7/4	0.75	459	217	242	142	109	14.1
MTH 2-7/5	0.75	459	217	242	142	109	14.2
MTH 2-7/6	1.1	479/459*	217	262/242*	142	109	15.3/14.3*
MTH 2-7/7	1.1	479/459*	217	262/242*	142	109	15.4/14.4*
MTH 2-8/1	0.55	437	235	202	135	109	11.4
MTH 2-8/2	0.55	437	235	202	135	109	11.5
MTH 2-8/3	0.55	437	235	202	135	109	11.6
MTH 2-8/4	0.75	477	235	242	142	109	14.3
MTH 2-8/5	0.75	477	235	242	142	109	14.4
MTH 2-8/6	1.1	497/477*	235	262/242*	142	109	15.5/14.5*
MTH 2-8/7	1.1	497/477*	235	262/242*	142	109	15.6/14.6*
MTH 2-8/8	1.1	497/477*	235	262/242*	142	109	15.7/14.7*
MTH 2-9/1	0.55	455	253	202	135	109	11.6
MTH 2-9/2	0.55	455	253	202	135	109	11.7
MTH 2-9/3	0.55	455	253	202	135	109	11.8
MTH 2-9/4	0.75	495	253	242	142	109	14.4
MTH 2-9/5	0.75	495	253	242	142	109	14.5

Pump type	Motor P2 [kW]	Dimensions [mm]					Weight [kg]
		A	B	C	AC	AD	
MTH 2-9/6	1.1	515/495*	253	262/242*	142	109	15.6/14.6*
MTH 2-9/7	1.1	515/495*	253	262/242*	142	109	15.7/14.7*
MTH 2-9/8	1.1	515/495*	253	262/242*	142	109	15.8/14.8*
MTH 2-10/1	0.55	473	271	202	135	109	11.8
MTH 2-10/2	0.55	473	271	202	135	109	11.9
MTH 2-10/3	0.55	473	271	202	135	109	12
MTH 2-10/4	0.75	513	271	242	142	109	14.7
MTH 2-10/5	0.75	513	271	242	142	109	14.8
MTH 2-10/6	1.1	533/513*	271	262/242*	142	109	15.9/14.9*
MTH 2-10/7	1.1	533/513*	271	262/242*	142	109	15/14*
MTH 2-10/8	1.1	533/513*	271	262/242*	142	109	16.1/15.1*
MTH 2-11/1	0.55	491	289	202	135	109	12
MTH 2-11/2	0.55	491	289	202	135	109	12.1
MTH 2-11/3	0.55	491	289	202	135	109	12.2
MTH 2-11/4	0.75	531	289	242	142	109	14.9
MTH 2-11/5	0.75	531	289	242	142	109	15
MTH 2-11/6	1.1	551/531*	289	262/242*	142	109	16.1/15.1*
MTH 2-11/7	1.1	551/531*	289	262/242*	142	109	16.2/15.2*
MTH 2-11/8	1.1	551/531*	289	262/242*	142	109	16.3/15.3*

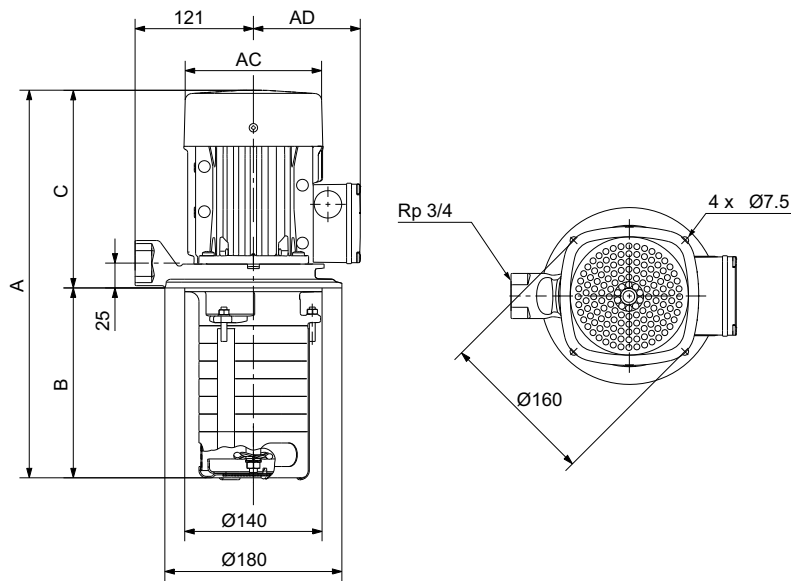
* Applies to pumps fitted with 200 V motors.

MTH 4, 60 Hz



TM02 7827 3616

Dimensional sketches



TM06 7672 3816

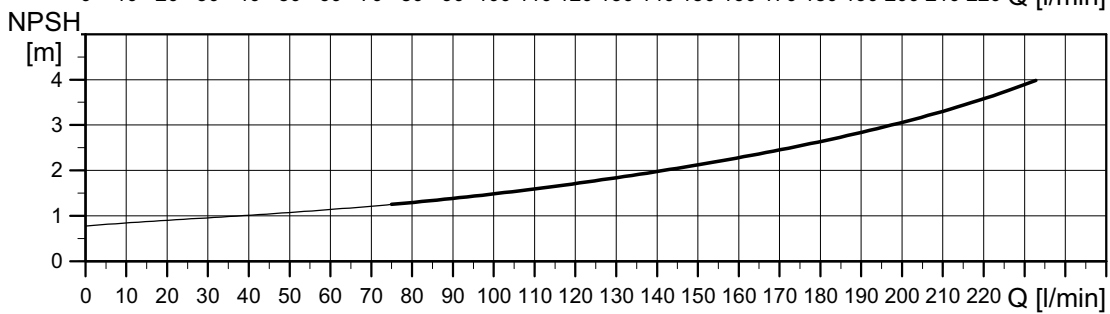
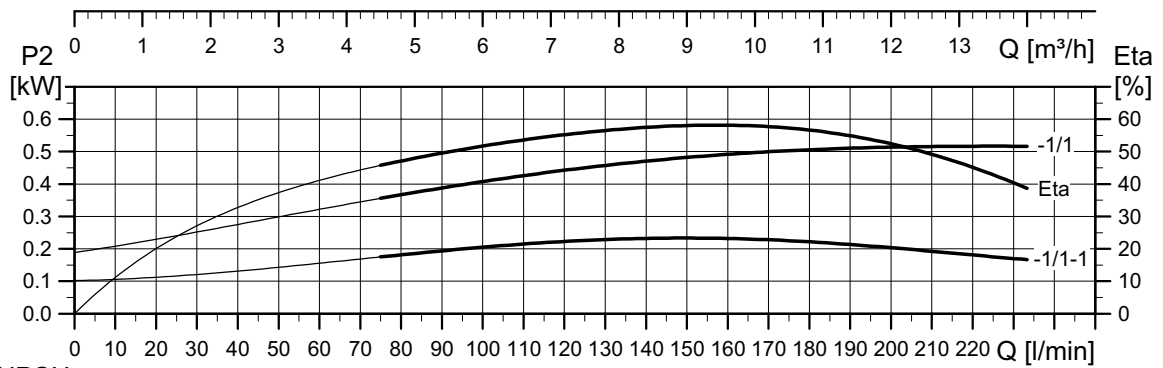
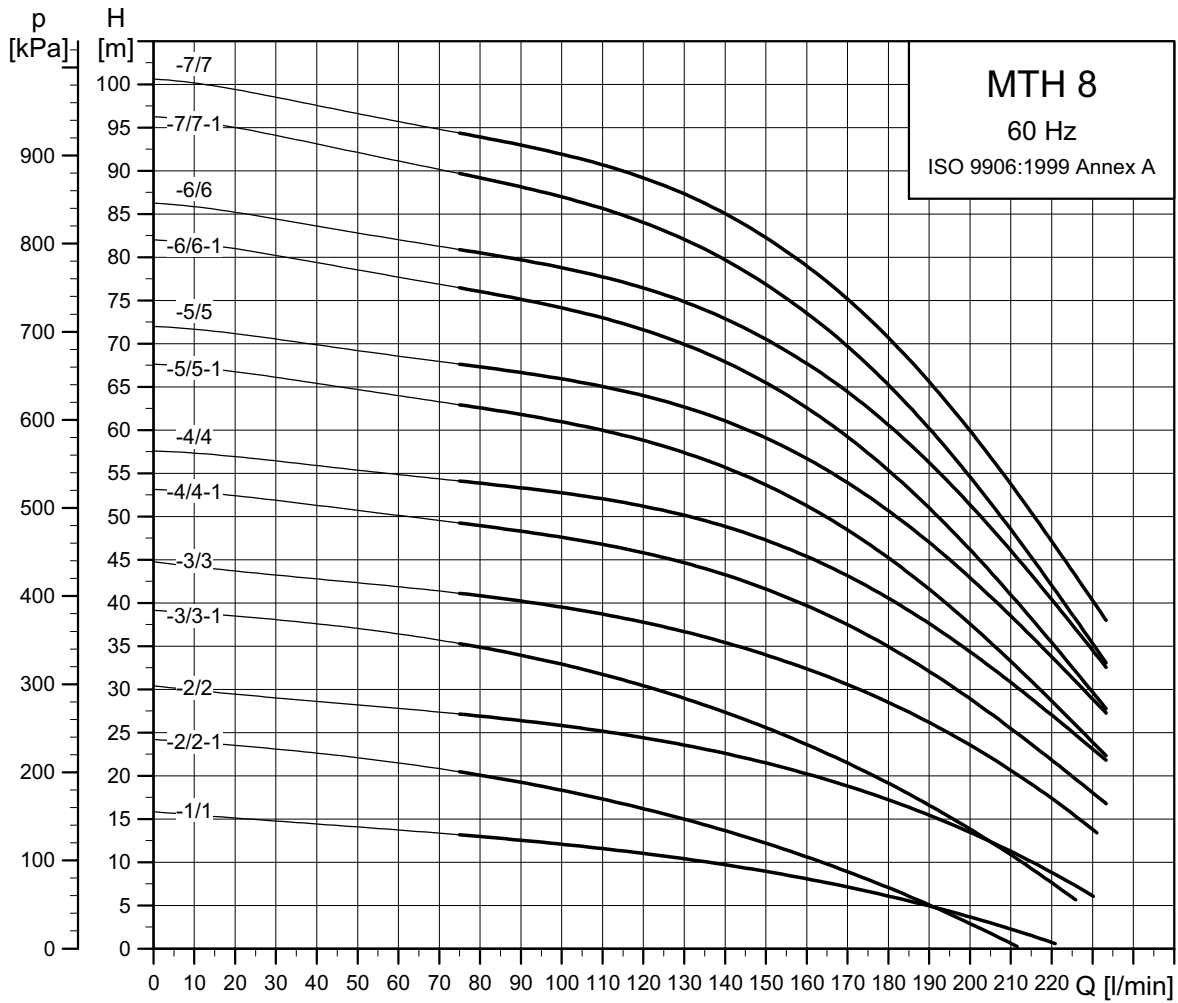
Dimensions and weights

Pump type	Motor P2 [kW]	Dimensions [mm]					Weight [kg]
		A	B	C	AC	AD	
MTH 4-2/1	0.55	347	145	202	135	109	10.3
MTH 4-2/2	0.55	347	145	202	135	109	10.4
MTH 4-3/1	0.55	374	172	202	135	109	10.5
MTH 4-3/2	0.55	374	172	202	135	109	10.6
MTH 4-3/3	0.75	414	172	242	135	109	11.9
MTH 4-4/1	0.55	401	199	202	135	109	10.7
MTH 4-4/2	0.55	401	199	202	135	109	10.8
MTH 4-4/3	0.75	441	199	242	135	109	13.7
MTH 4-4/4	1.1	461/441*	199	262/242*	142	109	14.8/13.8*
MTH 4-5/1	0.55	428	226	202	135	109	10.9
MTH 4-5/2	0.55	428	226	202	135	109	11
MTH 4-5/3	0.75	468	226	242	135	109	14
MTH 4-5/4	1.1	488/468*	226	262/242*	142	109	15.1/14.1*
MTH 4-5/5	1.1	488/468*	226	262/242*	142	109	15.2/14.2*
MTH 4-6/1	0.55	455	253	202	135	109	11.1
MTH 4-6/2	0.55	455	253	202	135	109	11.2
MTH 4-6/3	0.75	495	253	242	135	109	14.5
MTH 4-6/4	1.1	515/495*	253	262/242*	142	109	15.6/14.6*
MTH 4-6/5	1.5	565/605*	253	312/352*	142	109	22.6/25.6*
MTH 4-6/6	2.2	605	253	352	142	109	26.1/28.1*
MTH 4-7/1	0.55	482	280	202	135	109	11.3
MTH 4-7/2	0.55	482	280	202	135	109	11.4
MTH 4-7/3	0.75	522	280	242	135	109	15.8
MTH 4-7/4	1.1	542/522*	280	262/242*	142	109	16.9/15.9*
MTH 4-7/5	1.5	592/632*	280	312/352*	142	109	23.9/26.9*
MTH 4-7/6	2.2	632	280	352	142	109	27.4/29.4*
MTH 4-7/7	2.2	632	280	352	142	109	27.5/29.5*
MTH 4-8/1	0.55	509	307	202	135	109	11.5
MTH 4-8/2	0.55	509	307	202	135	109	11.6
MTH 4-8/3	0.75	549	307	242	135	109	16.1
MTH 4-8/4	1.1	569/549*	307	262/242*	142	109	17.2/16.2*
MTH 4-8/5	1.5	619/659*	307	312/352*	142	109	24.2/27.2*
MTH 4-8/6	2.2	659	307	352	142	109	27.7/29.7*
MTH 4-8/7	2.2	659	307	352	142	109	27.8/29.8*
MTH 4-9/1	0.55	509	307	202	142	109	11.7
MTH 4-9/2	0.55	509	307	202	142	109	11.8
MTH 4-9/3	0.75	549	307	242	142	109	15.1
MTH 4-9/4	1.1	569/549*	307	262/242*	142	109	16.2/15.2*

Pump type	Motor P2 [kW]	Dimensions [mm]					Weight [kg]
		A	B	C	AC	AD	
MTH 4-9/5	1.5	619/659*	307	312/352*	142	109	23.7/26.7*
MTH 4-9/6	2.2	659	307	352	142	109	26.2/28.2*
MTH 4-9/7	2.2	659	307	352	142	109	26.3/28.3*

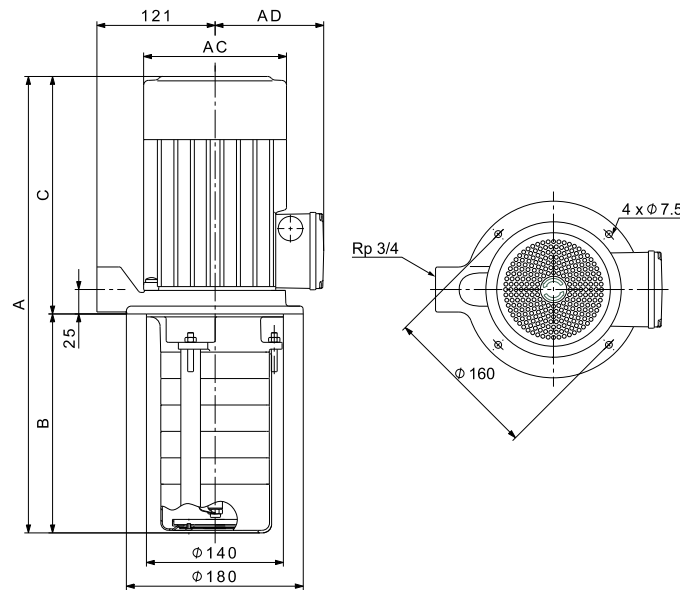
* Applies to pumps fitted with 200 V motors.

MTH 8, 60 Hz



TM06 2362 1516

Dimensional sketches



TM06 2065 3614

Dimensions and weights

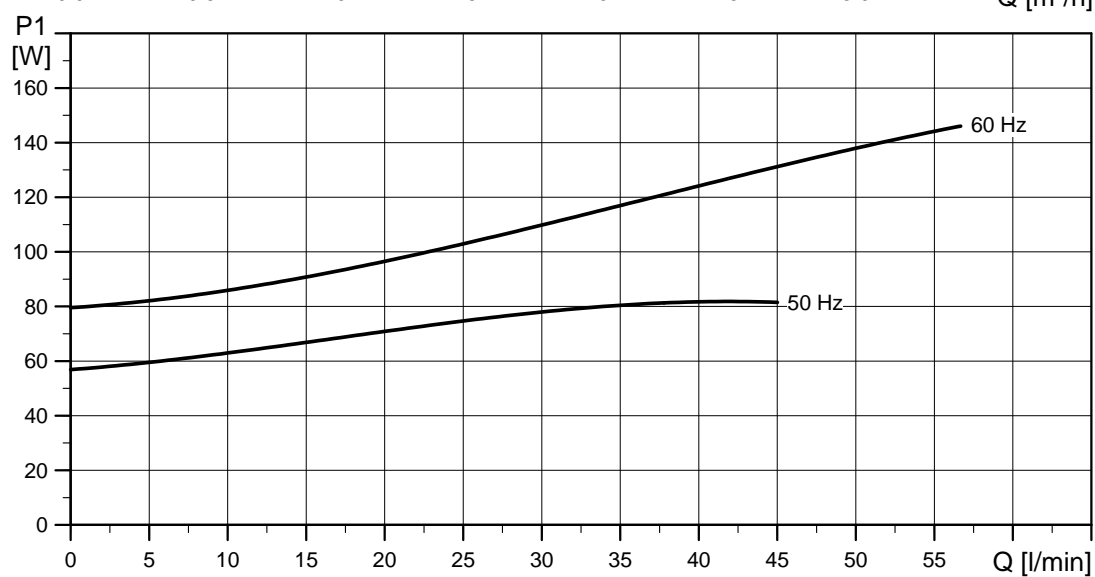
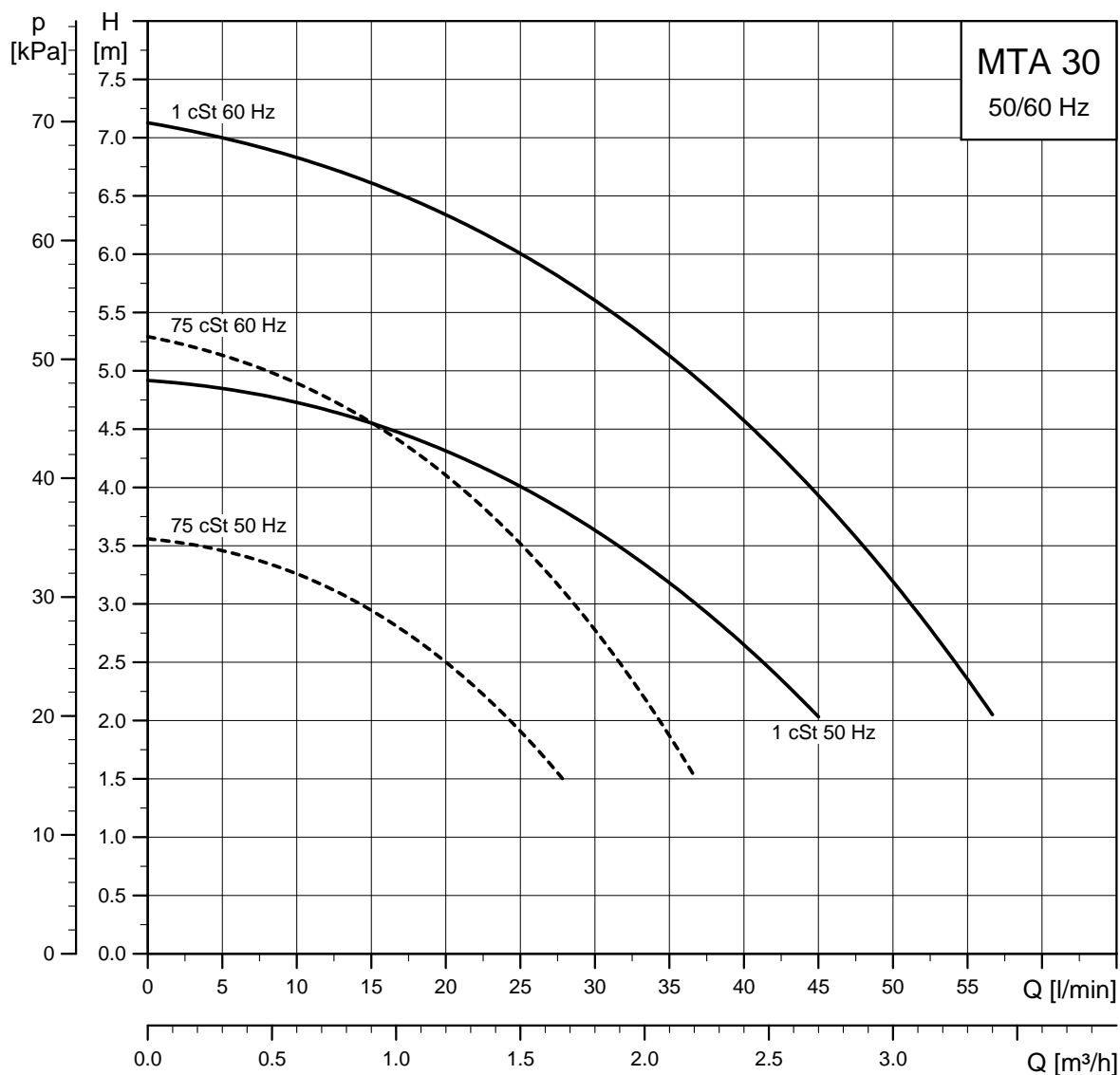
Pump type	Motor P2 [kW]	Dimensions [mm]					Weight [kg]
		A	B	C	AC	AD	
MTH 8-1/1	0.55	347	145	202	141	109	12.5
MTH 8-2/1	0.55	374	172	202	142	109	12.6
MTH 8-2/2-1	1.1	434/414*	172	262/242*	141	109	17/16*
MTH 8-2/2	1.1	434/414*	172	262/242*	141	109	17/16*
MTH 8-3/1	0.55	401	199	202	142	109	12.7
MTH 8-3/2-1	1.1	461/441*	199	262/242*	142	109	17.2/16.2*
MTH 8-3/2	1.1	461/441*	199	262/242*	142	109	17.3/16.3*
MTH 8-3/3-1	1.5	511/551*	199	312/352*	142	109	24/27*
MTH 8-3/3	2.2	551	199	352	142	109	26.5/28.5*
MTH 8-4/1	0.55	428	226	202	142	109	12.8
MTH 8-4/2-1	1.1	488/468*	226	262/242*	142	109	17.3/16.3*
MTH 8-4/2	1.1	488/468*	226	262/242*	142	109	17.4/16.4*
MTH 8-4/3-1	1.5	538/578*	226	312/352*	142	109	24.4/27.4*
MTH 8-4/3	2.2	578	226	352	142	109	26.9/28.9*
MTH 8-4/4-1	2.2	578	226	352	178	110	27/29*
MTH 8-4/4	2.2	578	226	352	178	110	27/29*
MTH 8-5/1	0.55	455	253	202	142	109	012.7
MTH 8-5/2-1	1.1	515/495*	253	262/242*	142	109	17.2/16.2*
MTH 8-5/2	1.1	515/495*	253	262/242*	142	109	17.3/16.3*
MTH 8-5/3-1	1.5	565/605*	253	312/352*	142	109	24.3/27.3*
MTH 8-5/3	2.2	605	253	352	142	109	26.8/28.8
MTH 8-5/4-1	2.2	605	253	352	142	109	26.9/28.9*
MTH 8-5/4	2.2	605	253	352	142	109	27/29*
MTH 8-5/5-1	3	623	253	370	198	120	30.5/32*
MTH 8-5/5	3	623	253	370	198	120	30.5/32*
MTH 8-6/1	0.55	482	280	202	142	109	13
MTH 8-6/2-1	1.1	542/522*	280	262/242*	142	109	17.5/16.5*
MTH 8-6/2	1.1	542/522*	280	262/242*	142	109	17.6/16.6*
MTH 8-6/3-1	1.5	592/632*	280	312/352*	142	109	24.6/27.6*
MTH 8-6/3	2.2	632	280	352	142	109	27.1/29.1*
MTH 8-6/4-1	2.2	632	280	352	142	109	27.2/29.2*
MTH 8-6/4	2.2	632	280	352	142	109	27.3/29.3*
MTH 8-6/5-1	3	650	280	370	142	109	30.8/32.3*
MTH 8-6/5	3	650	280	370	142	109	30.9/32.4*
MTH 8-6/6-1	3	650	280	370	198	120	31/32.5*
MTH 8-6/6	4	650	280	370	220	134	41
MTH 8-7/1	0.55	509	307	202	142	109	13.2
MTH 8-7/2-1	1.1	569/549*	307	262/242*	142	109	17.7/16.7*

Pump type	Motor P2 [kW]	Dimensions [mm]					Weight [kg]
		A	B	C	AC	AD	
MTH 8-7/2	1.1	569/549*	307	262/242*	142	109	17.8/16.8*
MTH 8-7/3-1	1.5	619/659*	307	312/352*	142	109	24.8/27.8*
MTH 8-7/3	2.2	659	307	352	142	109	27.3/29.3*
MTH 8-7/4-1	2.2	659	307	352	142	109	27.4/29.4*
MTH 8-7/4	2.2	659	307	352	142	109	27.5/29.5*
MTH 8-7/5-1	3	677	307	370	142	109	31.2/32.7*
MTH 8-7/5	3	677	307	370	142	109	31.3/32.8*
MTH 8-7/6-1	3	677	307	370	142	109	31.4/32.9*
MTH 8-7/6	4	677	307	370	142	109	41.4
MTH 8-7/7-1	4	677	307	370	220	134	41.5
MTH 8-7/7	4	677	307	370	220	134	41.5
MTH 8-8/1	0.55	536	334	202	142	109	13.4
MTH 8-8/2-1	1.1	596/576*	334	262/242*	142	109	17.9/16.9*
MTH 8-8/2	1.1	596/576*	334	262/242*	142	109	18/17*
MTH 8-8/3-1	1.5	646/686*	334	312/352*	142	109	25/28*
MTH 8-8/3	2.2	686	334	352	142	109	27.5/29.5*
MTH 8-8/4-1	2.2	686	334	352	142	109	27.6/29.6*
MTH 8-8/4	2.2	686	334	352	142	109	27.7/29.7*
MTH 8-8/5-1	3	704	334	370	142	109	31.2/32.7*
MTH 8-8/5	3	704	334	370	142	109	31.3/32.8*
MTH 8-8/6-1	3	704	334	370	142	109	31.4/32.9*
MTH 8-8/6	4	704	334	370	142	109	41.4
MTH 8-8/7-1	4	704	334	370	142	109	41.5
MTH 8-8/7	4	704	334	370	142	109	41.6

* Applies to pumps fitted with 200 V motors.

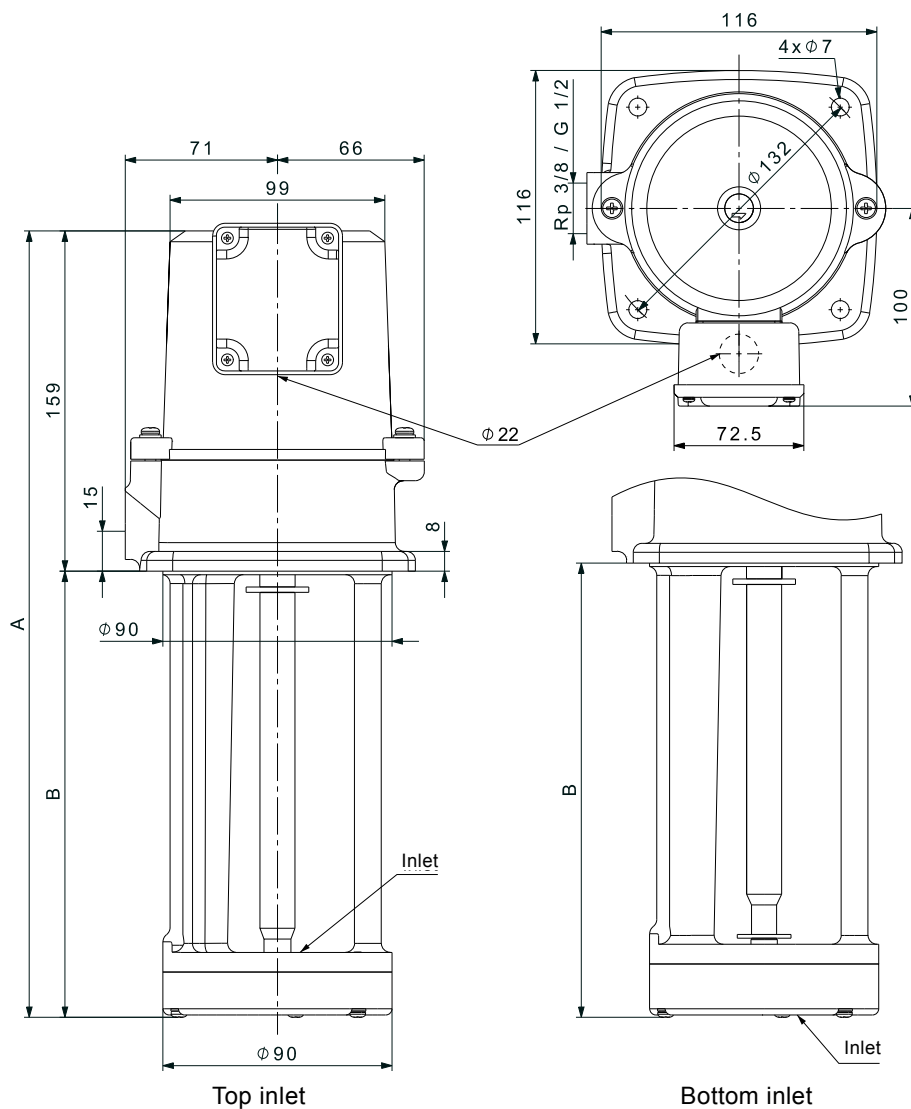
MTA, 50/60 Hz

MTA 30



TM05 0857 1711

Dimensional sketches



TM05 0879 3313

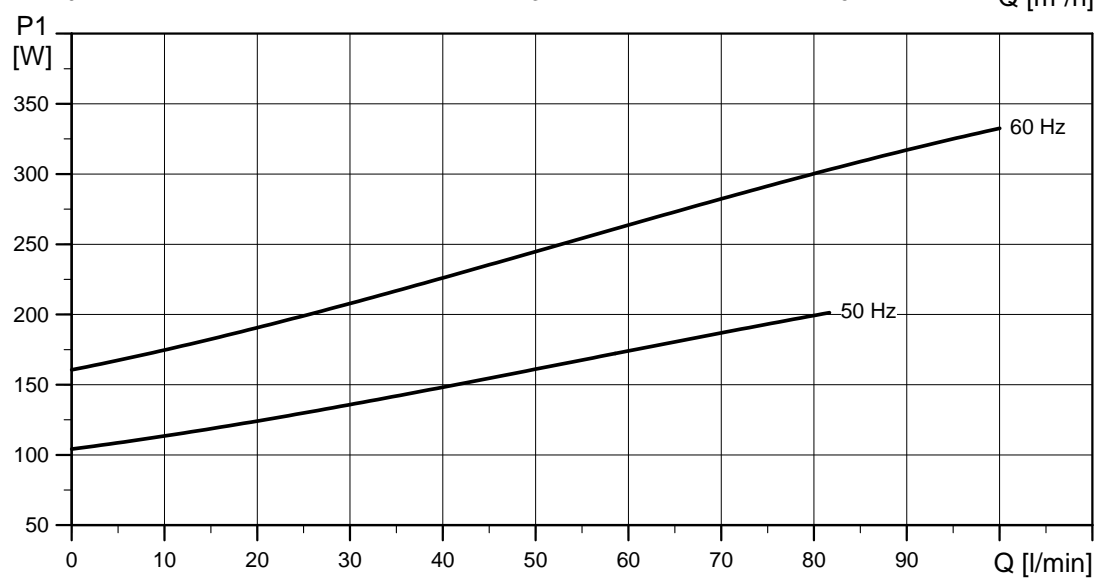
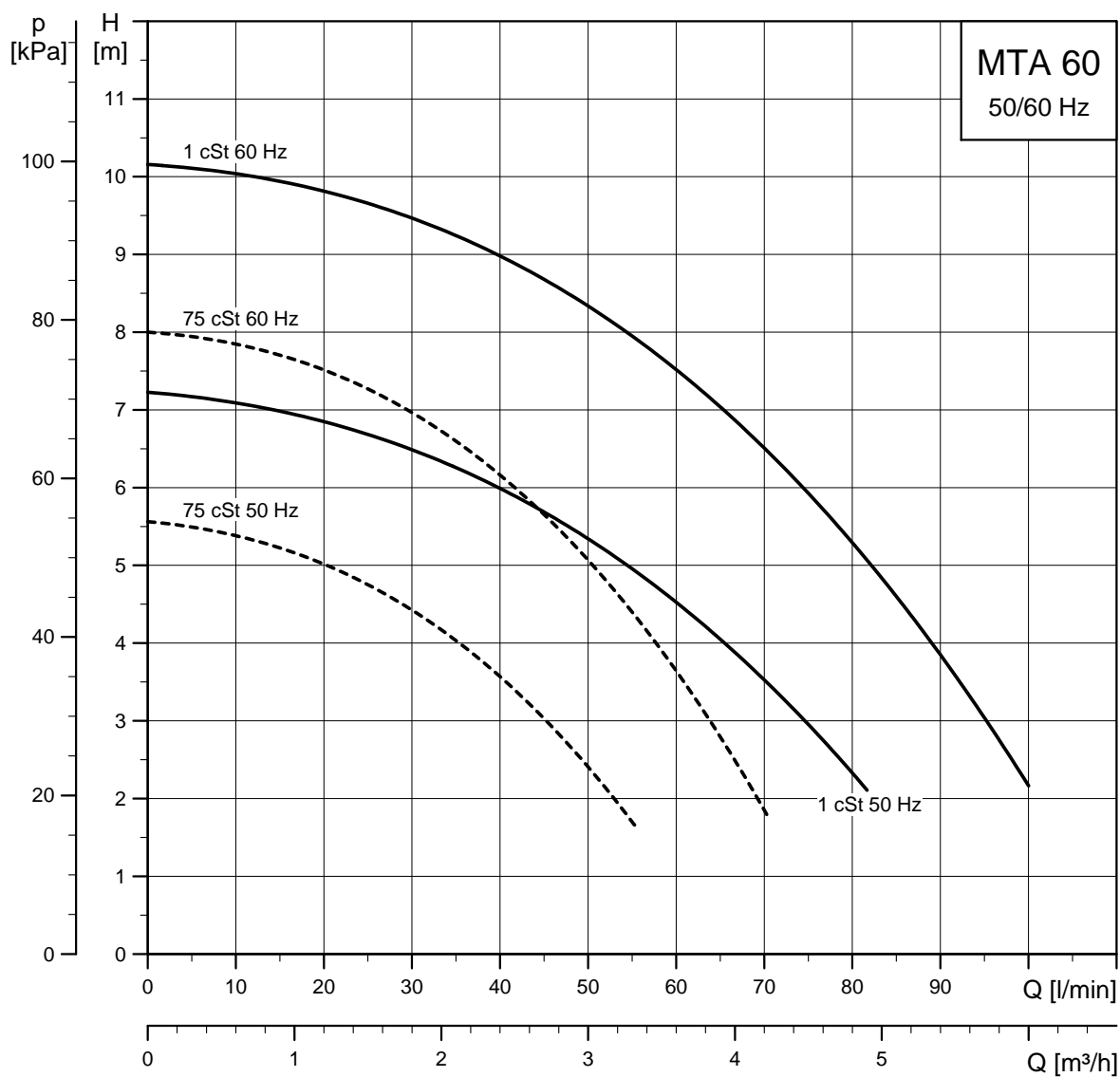
Dimensions and weights

Pump type	Inlet	A [mm]	B [mm]	Net weight [kg]	Gross weight [kg]	Shipping volume [m ³]
MTA 30-150	Top	309	150	6.7	7.6	0.012
MTA 30-150	Bottom	312	153	6.7	7.7	0.012

Electrical data

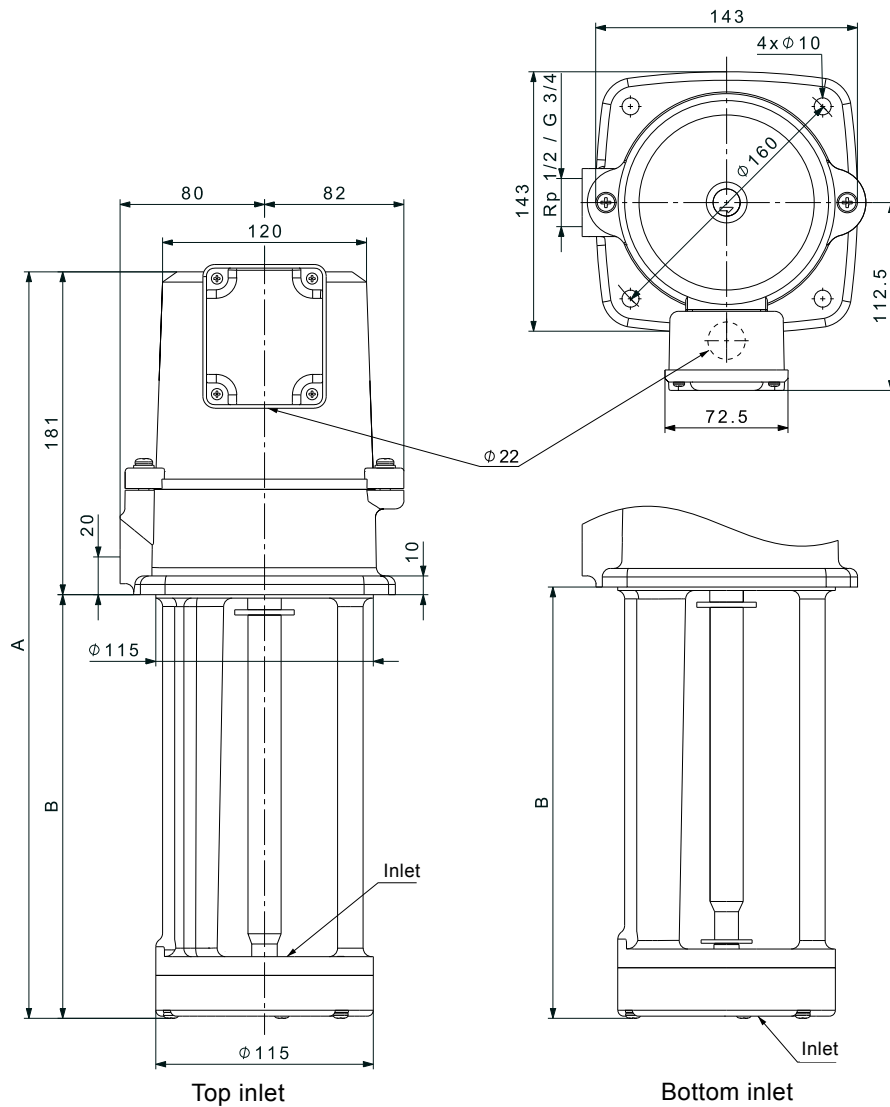
Voltage	Frequency [Hz]	P ₁ [W]	I _{1/1} [A]	I _{max} [A]	I _{start} [A]	Cos φ
3 x 200 Δ V	50	82	0.41	0.47	3.28	0.58
3 x 200-220 Δ V	60	145	0.5	0.58 - 0.58	3.65 - 3.80	0.84 - 0.76
3 x 220-240 Δ / 380-415Y V	50	86	0.33/0.19	0.38/0.22	3.14/1.81	0.68 - 0.63
3 x 220-240 Δ / 380-440Y V	60	142	0.41/0.24 - 0.22	0.47/0.28 - 0.25	3.36/1.97 - 1.80	0.91 - 0.83

MTA 60



TM05 0858 1711

Dimensional sketches



TM05 0680 3313

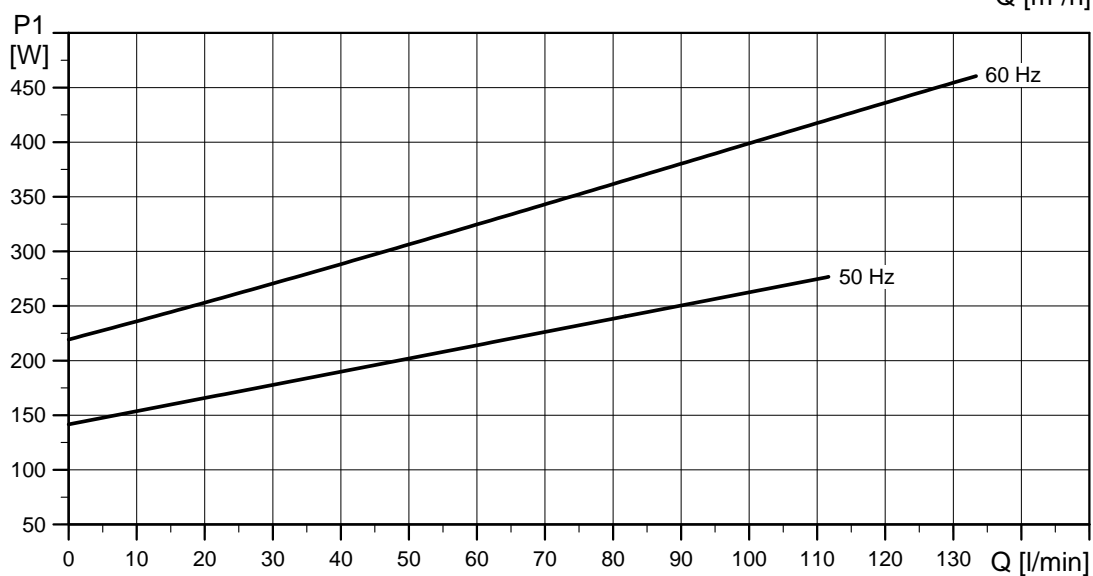
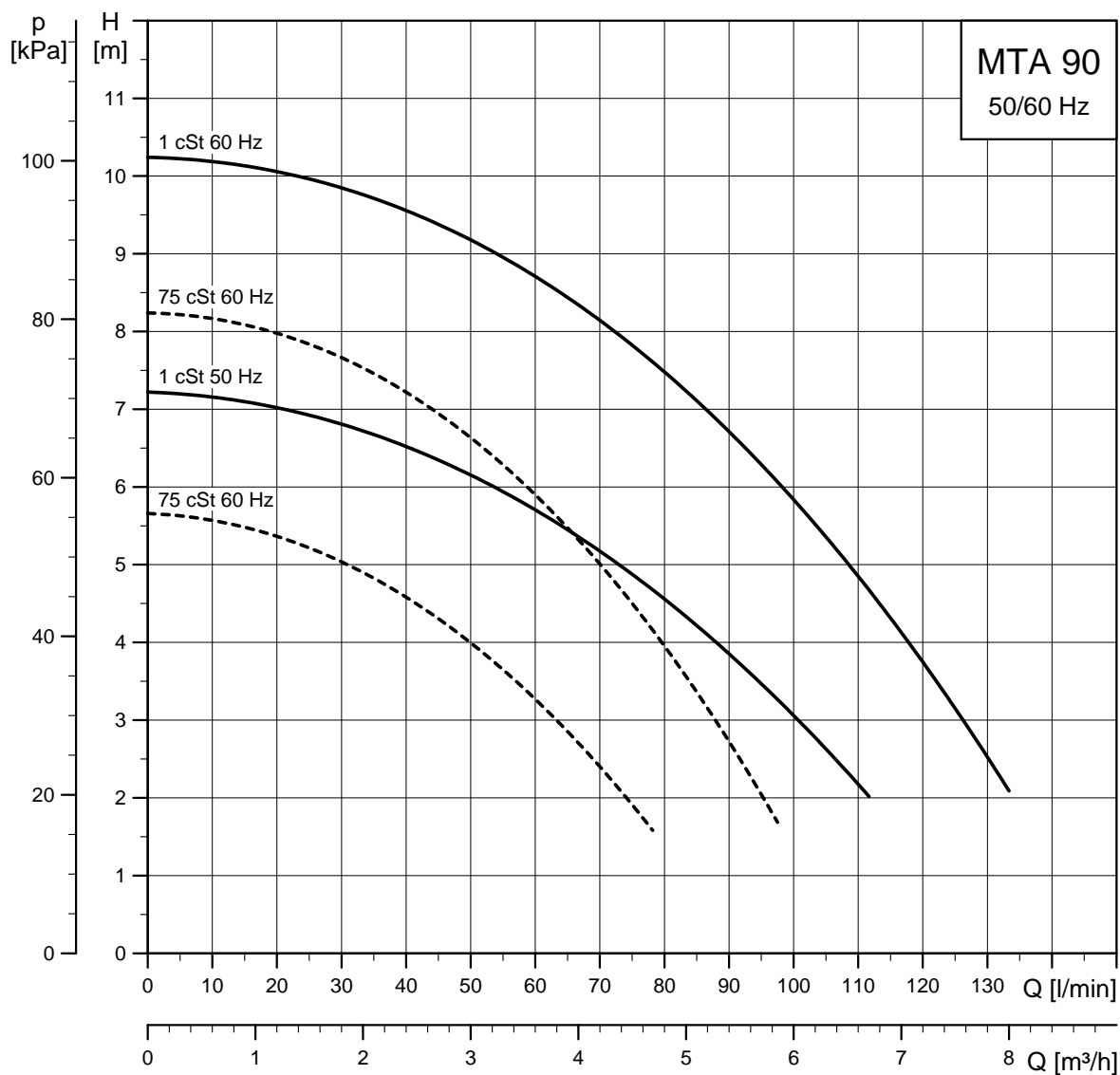
Dimensions and weights

Pump type	Inlet	A [mm]	B [mm]	Net weight [kg]	Gross weight [kg]	Shipping volume [m ³]
MTA 60-130	Top	306	125	10.6	11.6	0.170
MTA 60-180		356	175	11.1	12.2	0.020
MTA 60-250		426	245	11.8	12.2	0.023
MTA 60-350		526	345	12.9	14.7	0.027
MTA 60-130	Bottom	311.5	130.5	10.9	11.8	0.017
MTA 60-180		361.5	180.5	11.4	12.4	0.020
MTA 60-250		431.5	250.5	12.2	13.5	0.023
MTA 60-350		531.5	350.5	13.2	14.9	0.027

Electrical data

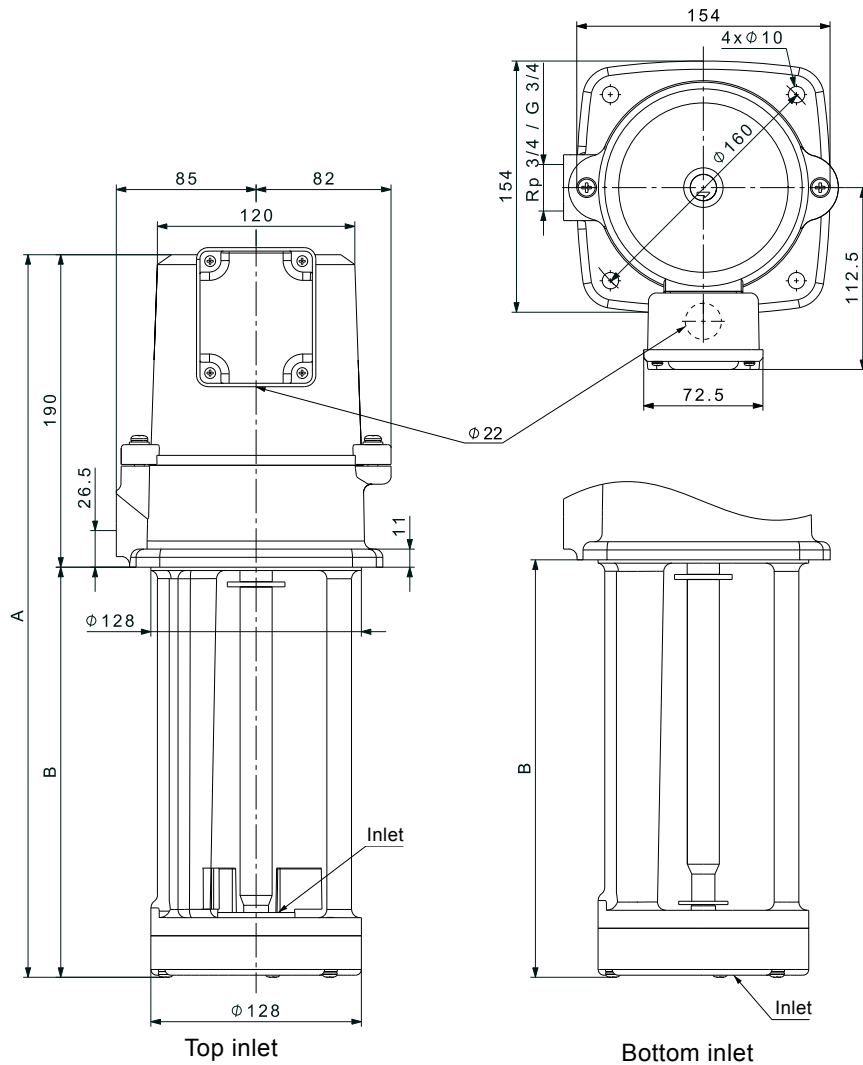
Voltage	Frequency [Hz]	P1 [W]	I _{1/1} [A]	I _{max} [A]	I _{start} [A]	Cos ϕ
3 x 200 Δ V	50	202	0.78	0.90	5.38	0.75
3 x 200-220 Δ V	60	333	1.18 - 1.09	1.36 - 1.27	6.25 - 6.43	0.81 - 0.80
3 x 220-240 Δ / 380-415Y V	50	200	0.69/0.42	0.79/0.48	5.87/3.57	0.76 - 0.70
3 x 220-240 Δ / 380-440Y V	60	330	0.99/0.63 - 0.57	1.14/0.72 - 0.66	6.44/4.10 - 3.71	0.87 - 0.80

MTA 90



TM05 0859 1711

Dimensional sketches



TM05 0881 3313

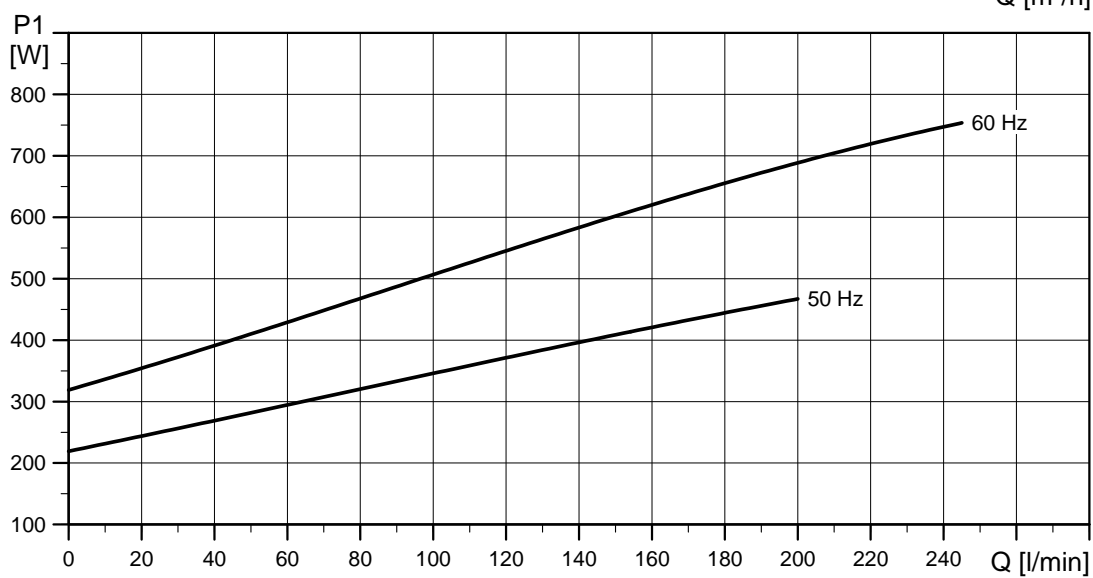
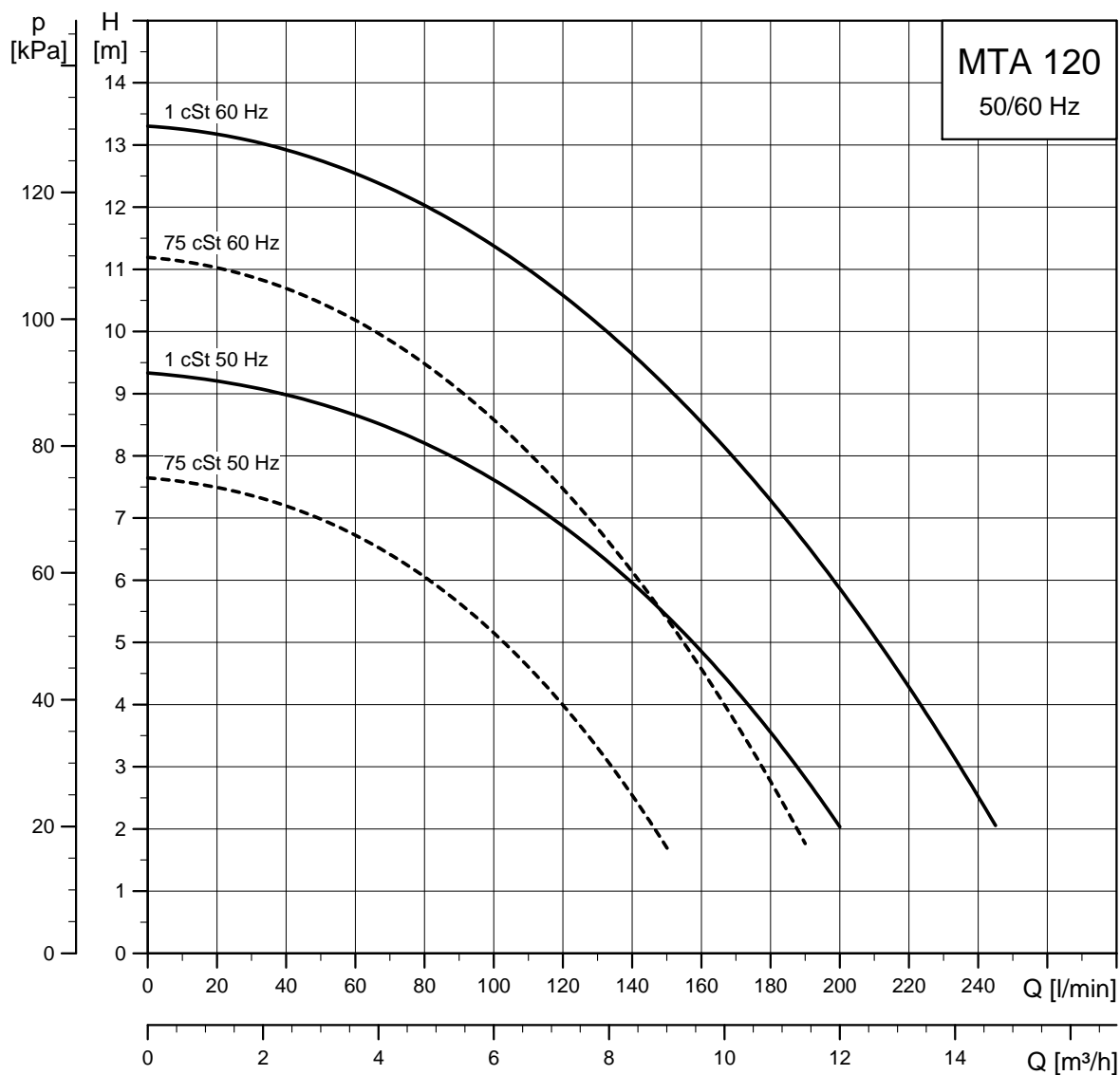
Dimensions and weights

Pump type	Inlet	A [mm]	B [mm]	Net weight [kg]	Gross weight [kg]	Shipping volume [m ³]
MTA 90-130	Top	318	128	12.5	14.2	0.017
MTA 90-180		368	178	13.3	15.1	0.020
MTA 90-250		438	248	14.2	16.2	0.023
MTA 90-350		538	348	15.6	17.9	0.027
MTA 90-130	Bottom	322.5	132.5	12.9	14.3	0.017
MTA 90-180		372.5	182.5	13.6	15.2	0.020
MTA 90-250		442.5	252.5	14.5	16.3	0.023
MTA 90-350		542.5	352.5	15.9	18.0	0.027

Electrical data

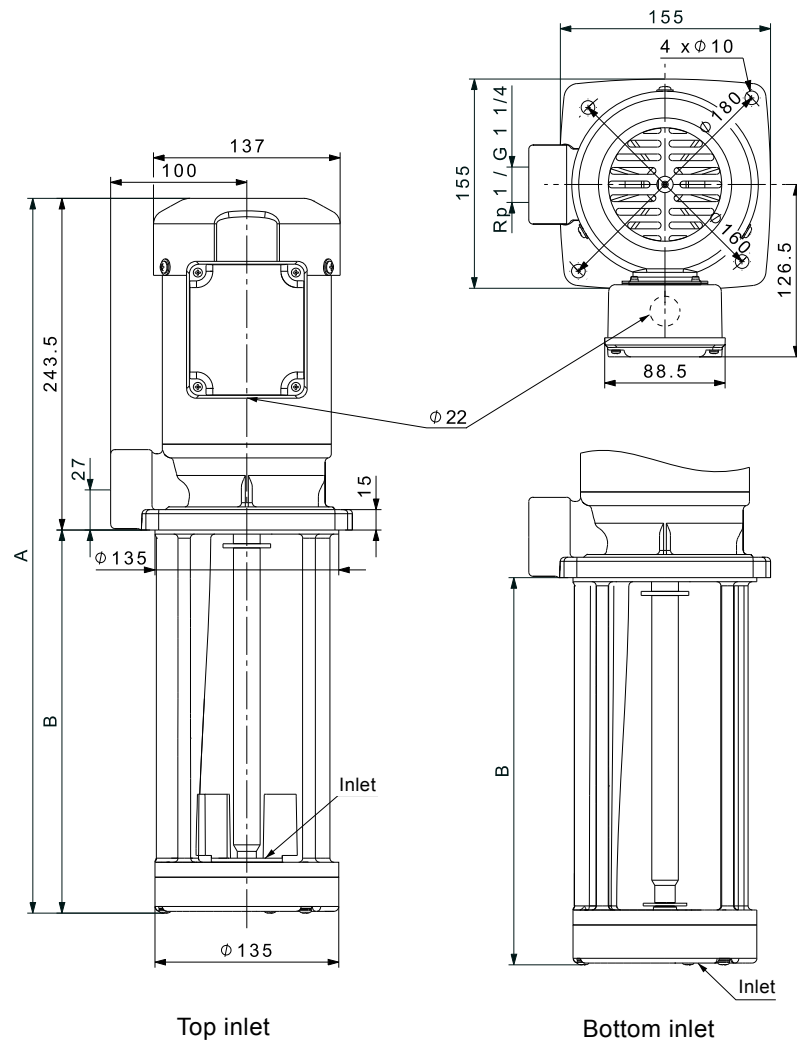
Voltage	Frequency [Hz]	P1 [W]	I _{1/1} [A]	I _{max} [A]	I _{start} [A]	Cos ϕ
3 x 200 Δ V	50	276	1.12	1.29	8.29	0.71
3 x 200-220 Δ V	60	460	1.63 - 1.51	1.87 - 1.74	9.29 - 9.51	0.81 - 0.80
3 x 220-240 Δ / 380-415Y V	50	270	0.97/0.55	1.12/0.63	7.86/4.46	0.73 - 0.67
3 x 220-240 Δ / 380-440Y V	60	440	1.3/0.8 - 0.72	1.5/0.92 - 0.83	8.45/5.20 - 4.68	0.89 - 0.81

MTA 120



TM05 0859 1711

Dimensional sketches



TM05 0882 3313

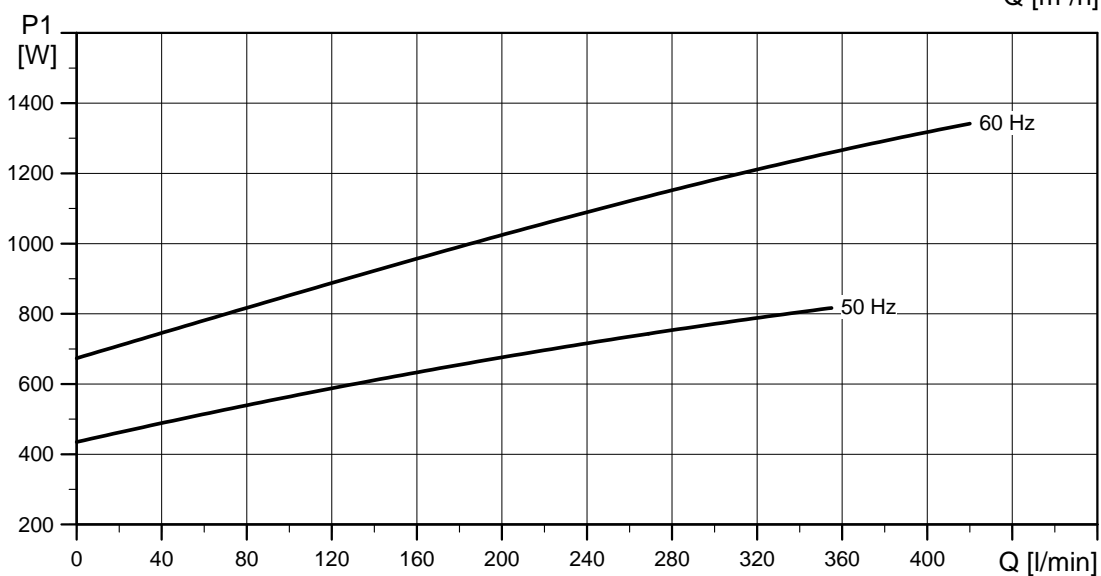
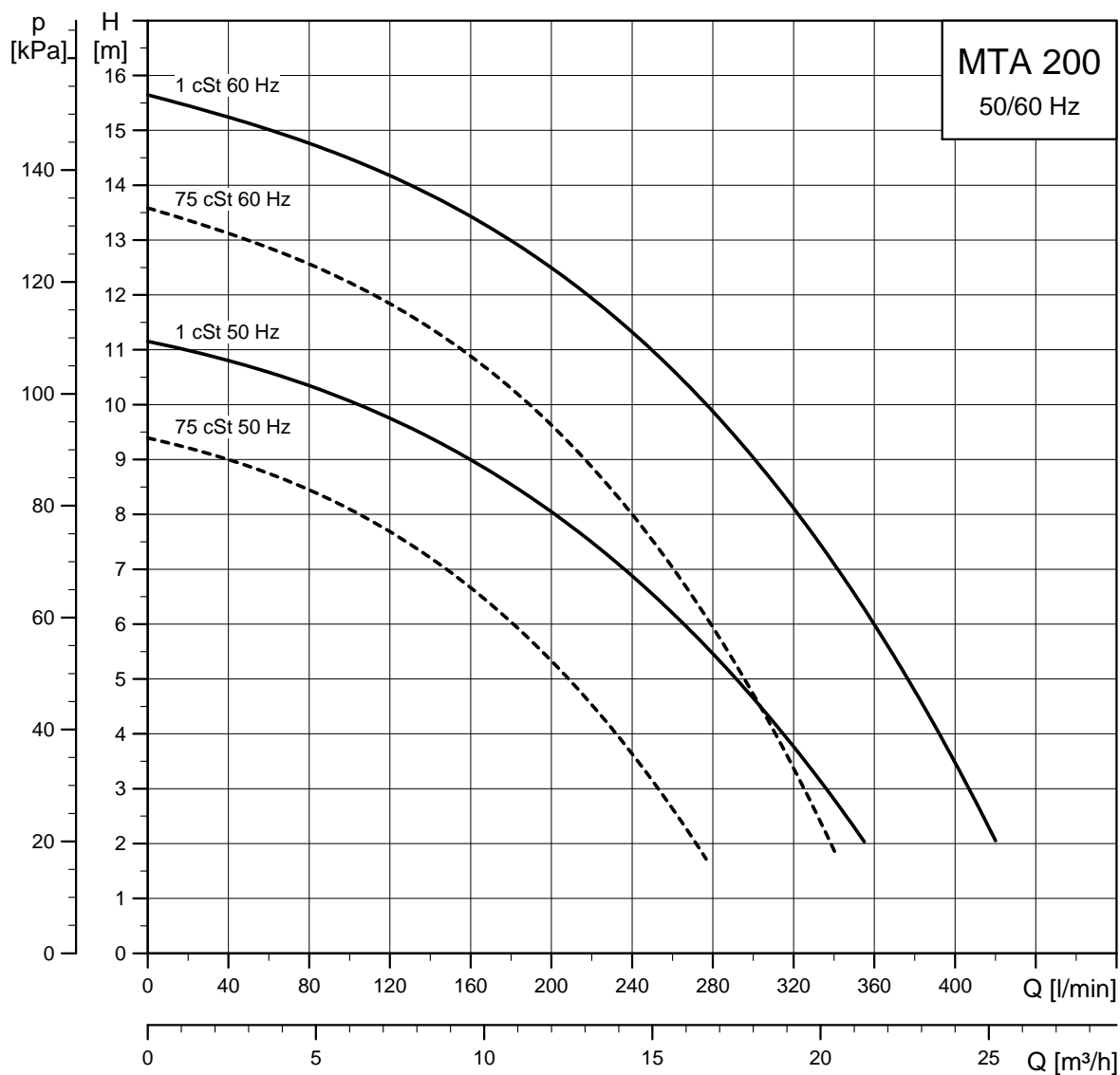
Dimensions and weights

Pump type	Suction	A [mm]	B [mm]	Net weight [kg]	Gross weight [kg]	Shipping volume [m ³]
MTA 120-180	Top	423.5	180	15.8	17.5	0.026
MTA 120-250		493.5	250	16.9	19.0	0.032
MTA 120-280		523.5	280	17.4	19.4	0.032
MTA 120-350		593.5	350	18.4	21.5	0.036
MTA 120-180	Bottom	426.5	183	16.0	18.1	0.026
MTA 120-250		496.5	253	17.1	19.2	0.032
MTA 120-280		526.5	283	17.6	19.6	0.032
MTA 120-350		596.5	353	18.6	21.7	0.036

Electrical data

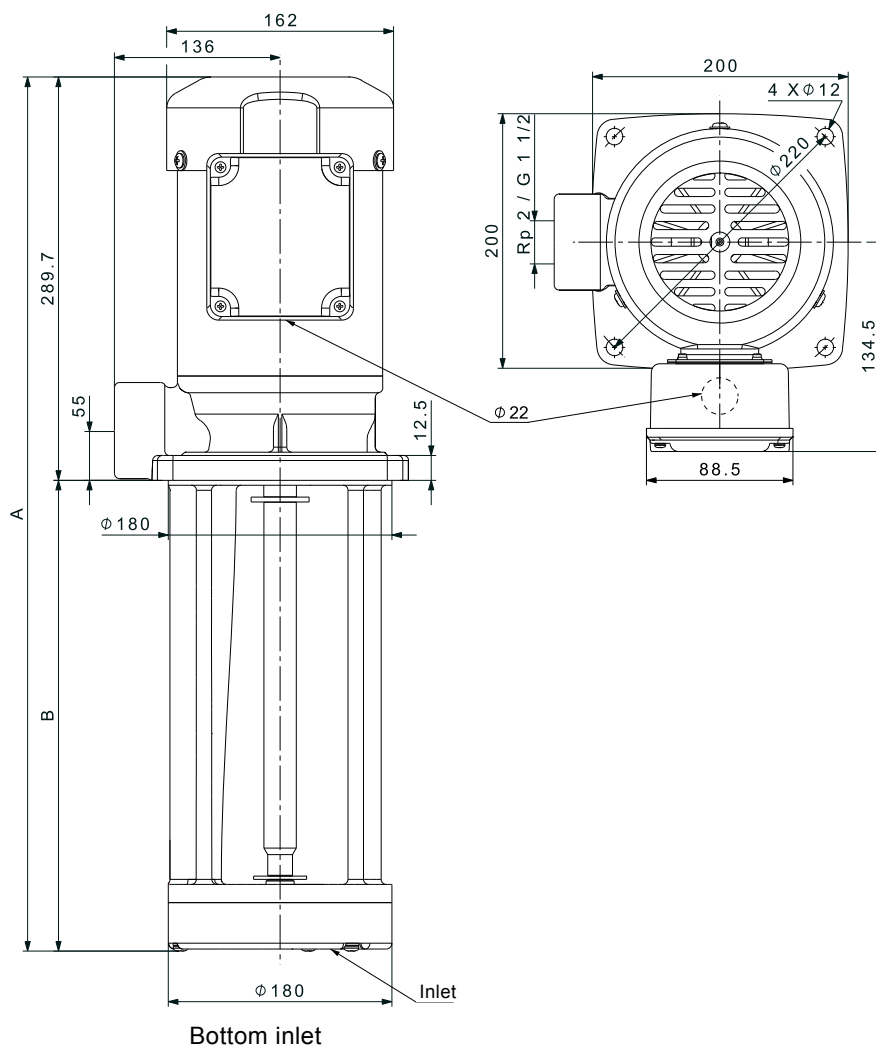
Voltage	Frequency [Hz]	P ₁ [W]	I _{1/1} [A]	I _{max} [A]	I _{start} [A]	Cos φ
3 x 200 Δ V	50	468	1.79	2.06	12.2	0.75
3 x 200-220 Δ V	60	755	2.47 - 2.37	2.84 - 2.73	13.8 - 14.2	0.88 - 0.84
3 x 220-240 Δ / 380-415Y V	50	440	1.47/0.87	1.69/1.00	10.0/5.92	0.79 - 0.72
3 x 220-240 Δ / 380-440Y V	60	730	2.1/1.26 - 1.13	2.42/1.45 - 1.30	11.34/6.80 - 6.10	0.91 - 0.84

MTA 200



TM05 0861 1711

Dimensional sketches



TM05 0683 3313

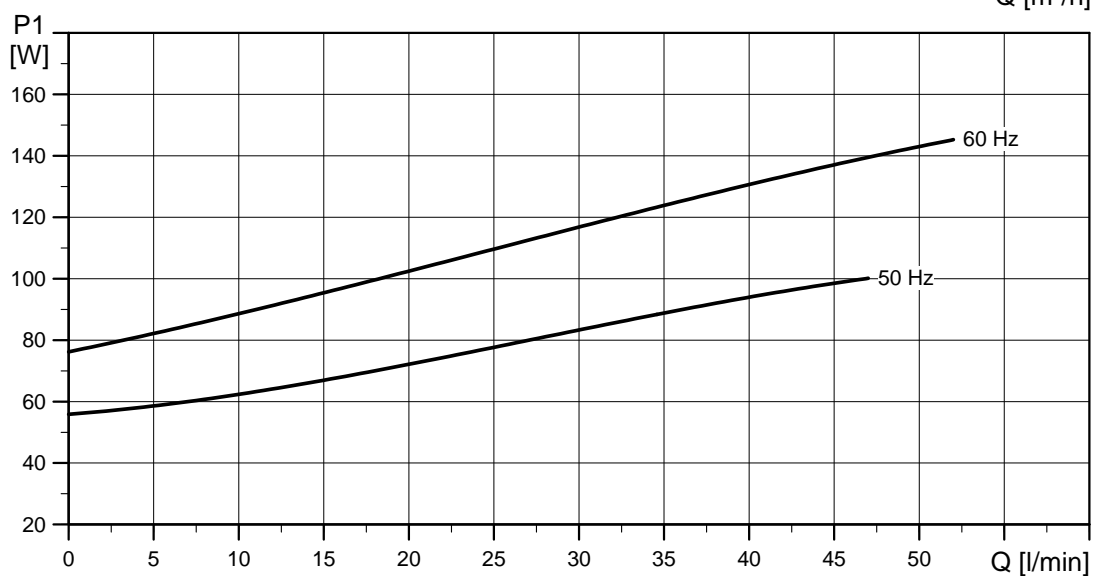
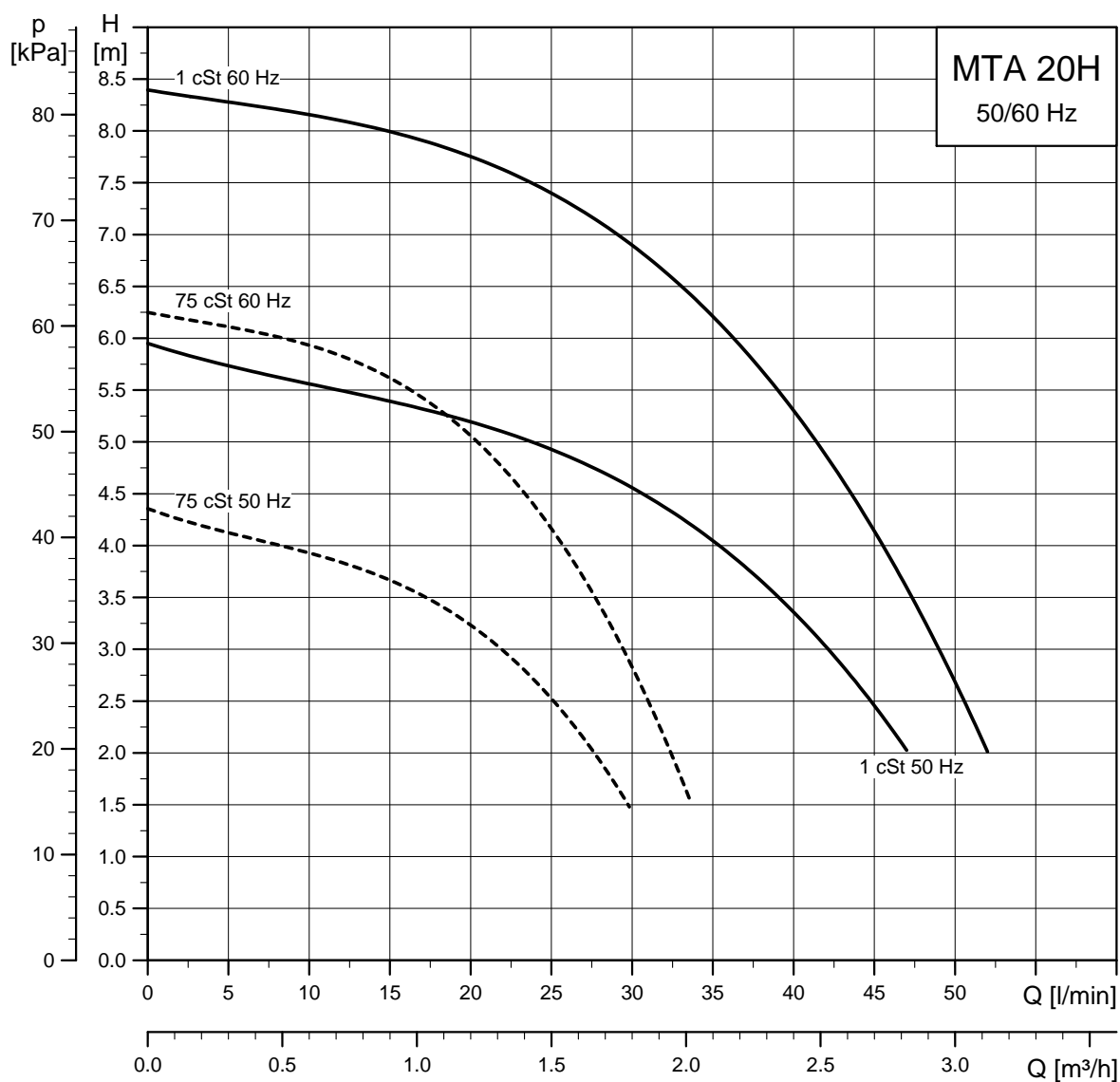
Dimensions and weights

Pump type	Suction	A [mm]	B [mm]	Net weight [kg]	Gross weight [kg]	Shipping volume [m ³]
MTA 200-210	Bottom	494.7	210	23.8	26.4	0.06
MTA 200-250		534.7	250	24.3	26.9	0.06
MTA 200-280		564.7	280	24.8	27.4	0.06
MTA 200-350		634.7	350	25.8	28.6	0.067

Electrical data

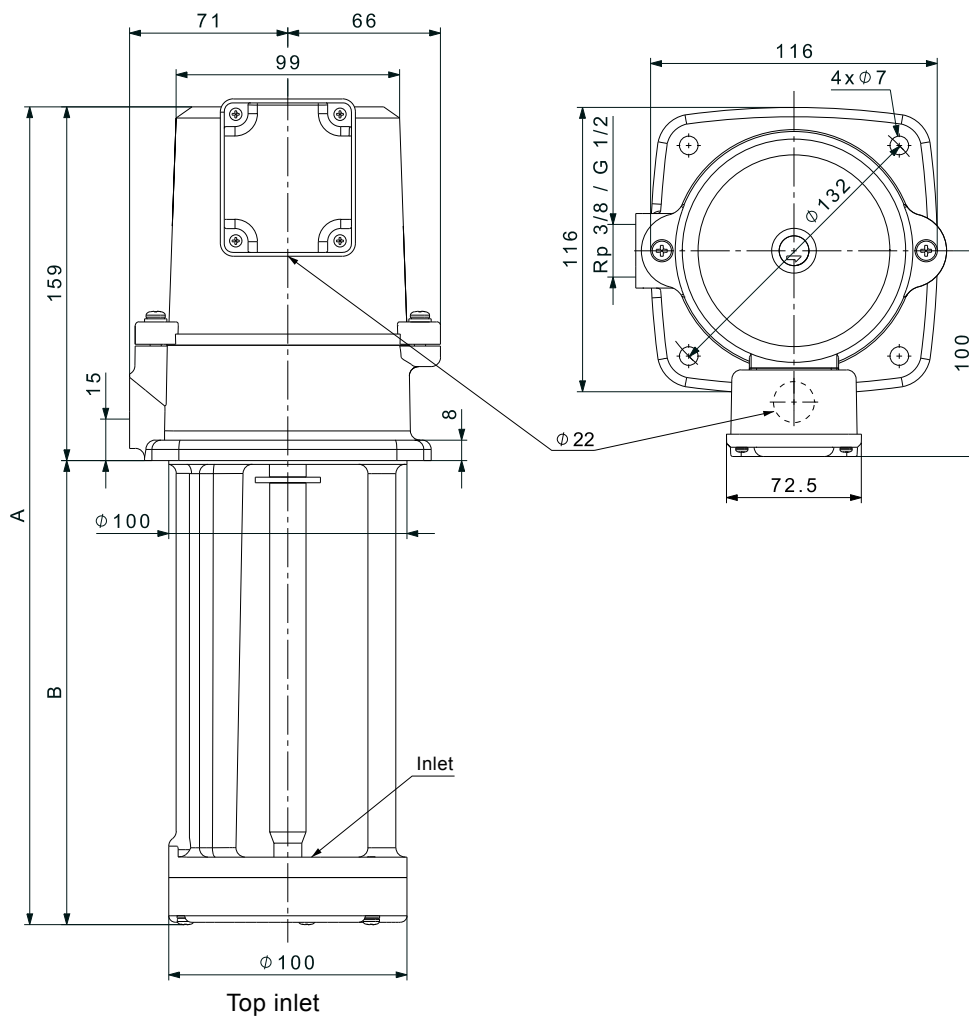
Voltage	Frequency [Hz]	P ₁ [W]	I _{1/1} [A]	I _{max} [A]	I _{start} [A]	Cos φ
3 x 200 Δ V	50	815	2.85	3.28	23.9	0.83
3 x 200-220 Δ V	60	1340	4.28 - 4.28	4.92 - 4.92	27.8 - 27.8	0.90 - 0.82
3 x 220-240 Δ / 380-415Y V	50	790	2.78/1.64	3.2/1.89	23.9/14.1	0.75 - 0.68
3 x 220-240 Δ / 380-440Y V	60	1270	3.48/2.11 - 1.96	4.0/2.43 - 2.25	27.5/16.7 - 15.5	0.96 - 0.88

MTA 20H



TM05 0862 1711

Dimensional sketches



TM05 0884 3313

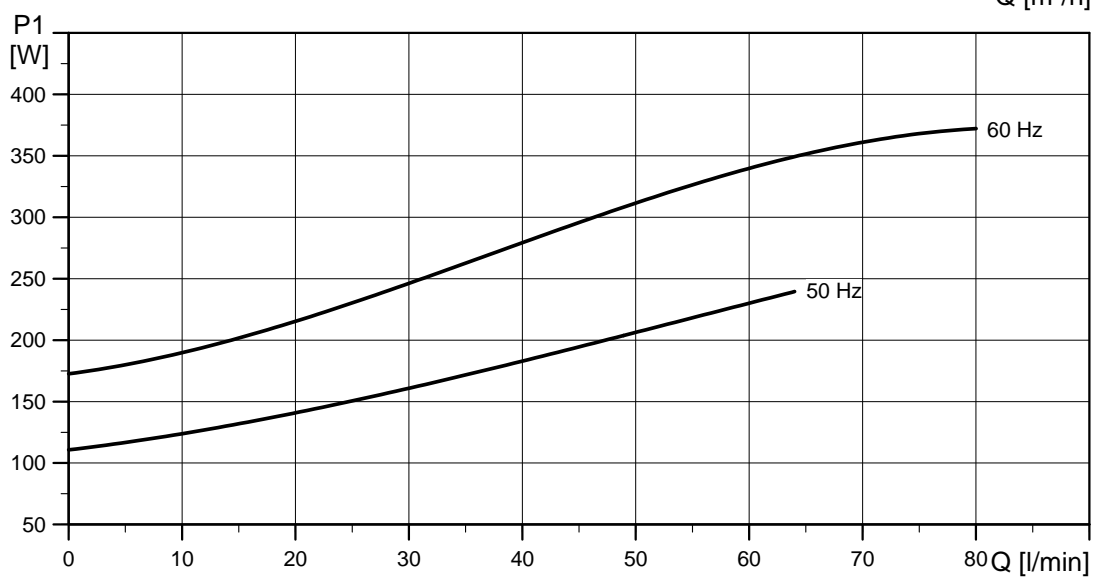
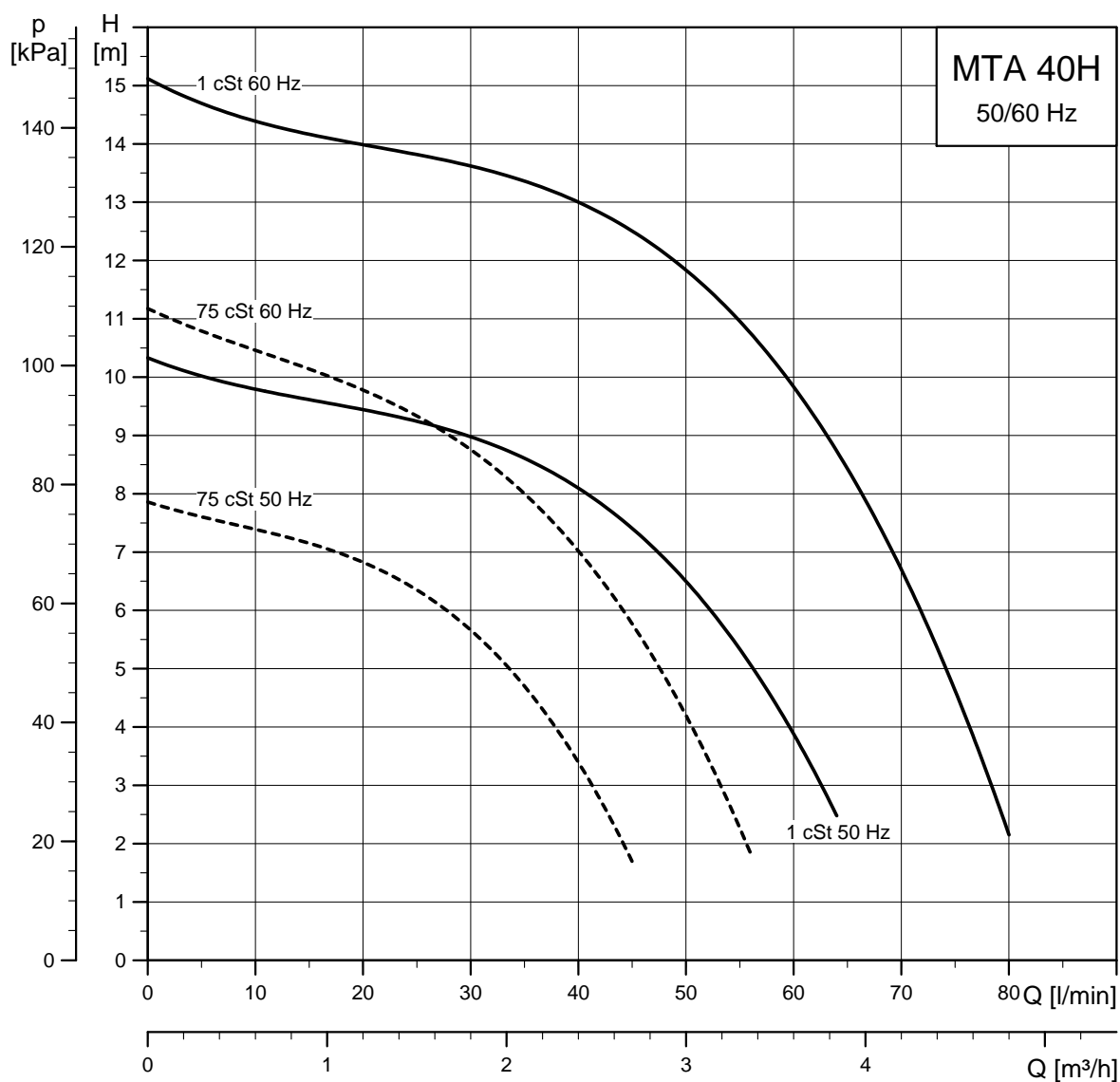
Dimensions and weights

Pump type	Suction	A [mm]	B [mm]	Net weight [kg]	Gross weight [kg]	Shipping volume [m ³]
MTA 20H-150	Top	309	150	6.8	7.7	0.012

Electrical data

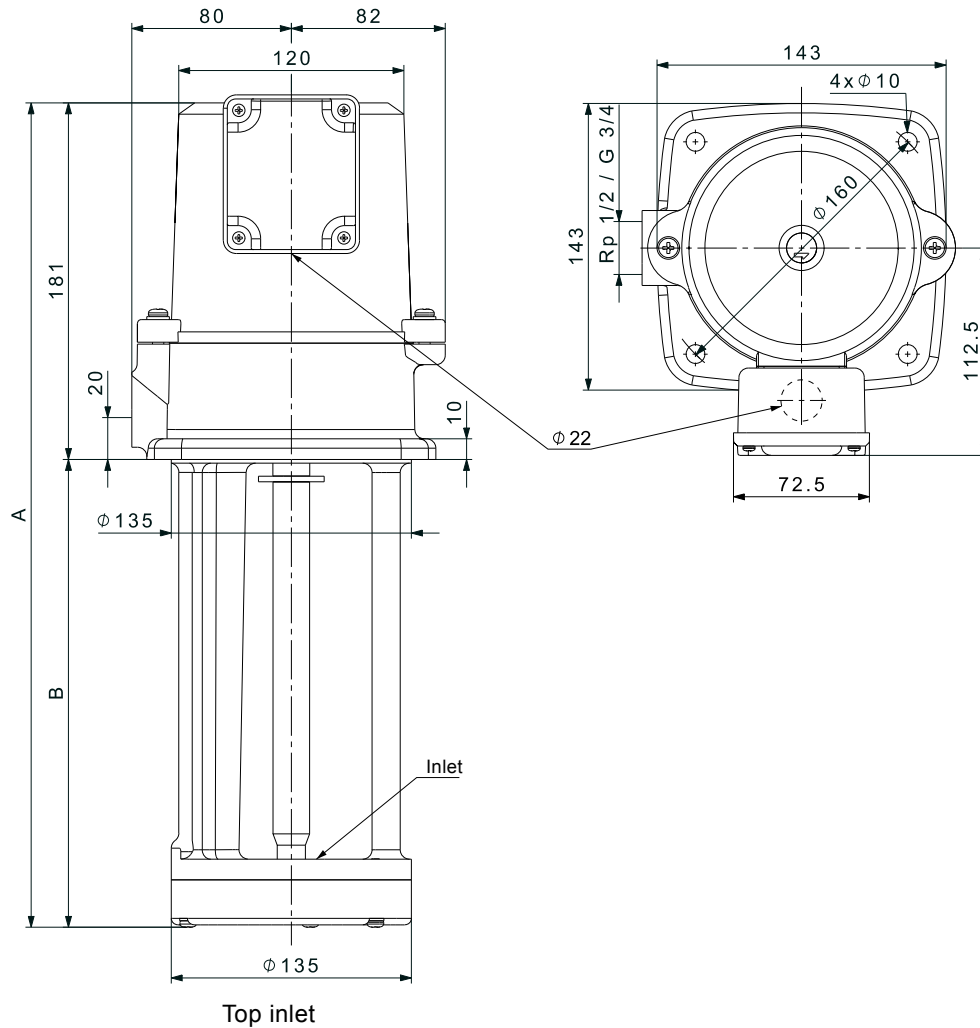
Voltage	Frequency [Hz]	P1 [W]	I _{1/1} [A]	I _{max} [A]	I _{start} [A]	Cos φ
3 x 200 Δ V	50	100	0.39	0.45	3.32	0.74
3 x 200-220 Δ V	60	145	0.46 - 0.46	0.53 - 0.53	3.68 - 3.82	0.91 - 0.83
3 x 220-240 Δ / 380-415Y V	50	95	0.37/0.19	0.43/0.22	3.52/1.81	0.67 - 0.62
3 x 220-240 Δ / 380-440Y V	60	140	0.41/0.25 - 0.22	0.47/0.29 - 0.25	3.24/1.98 - 1.74	0.9 - 0.82

MTA 40H



TM05 0863 1711

Dimensional sketches



TM05 0885 3313

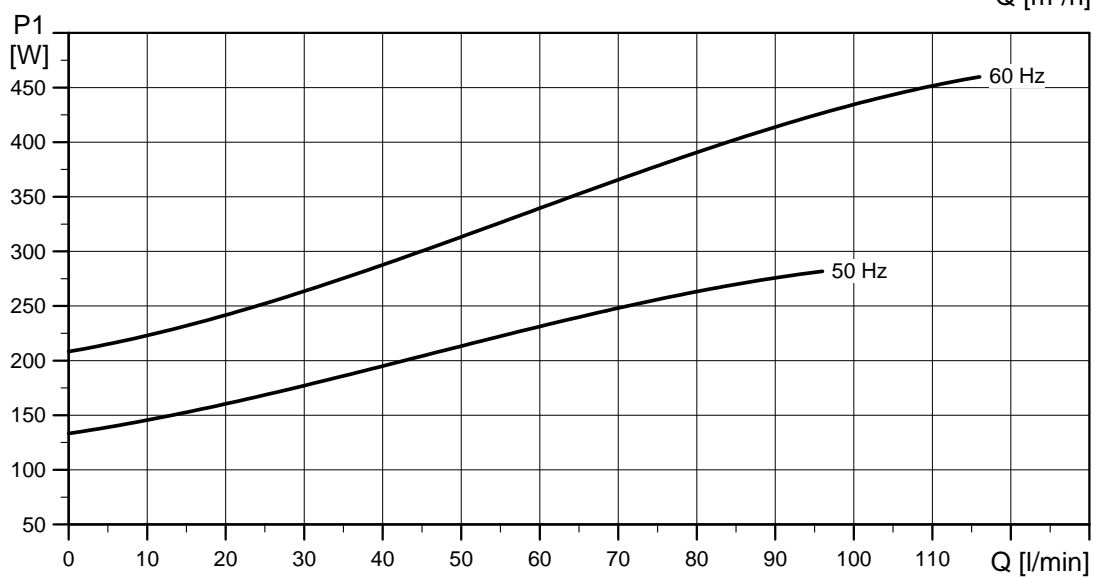
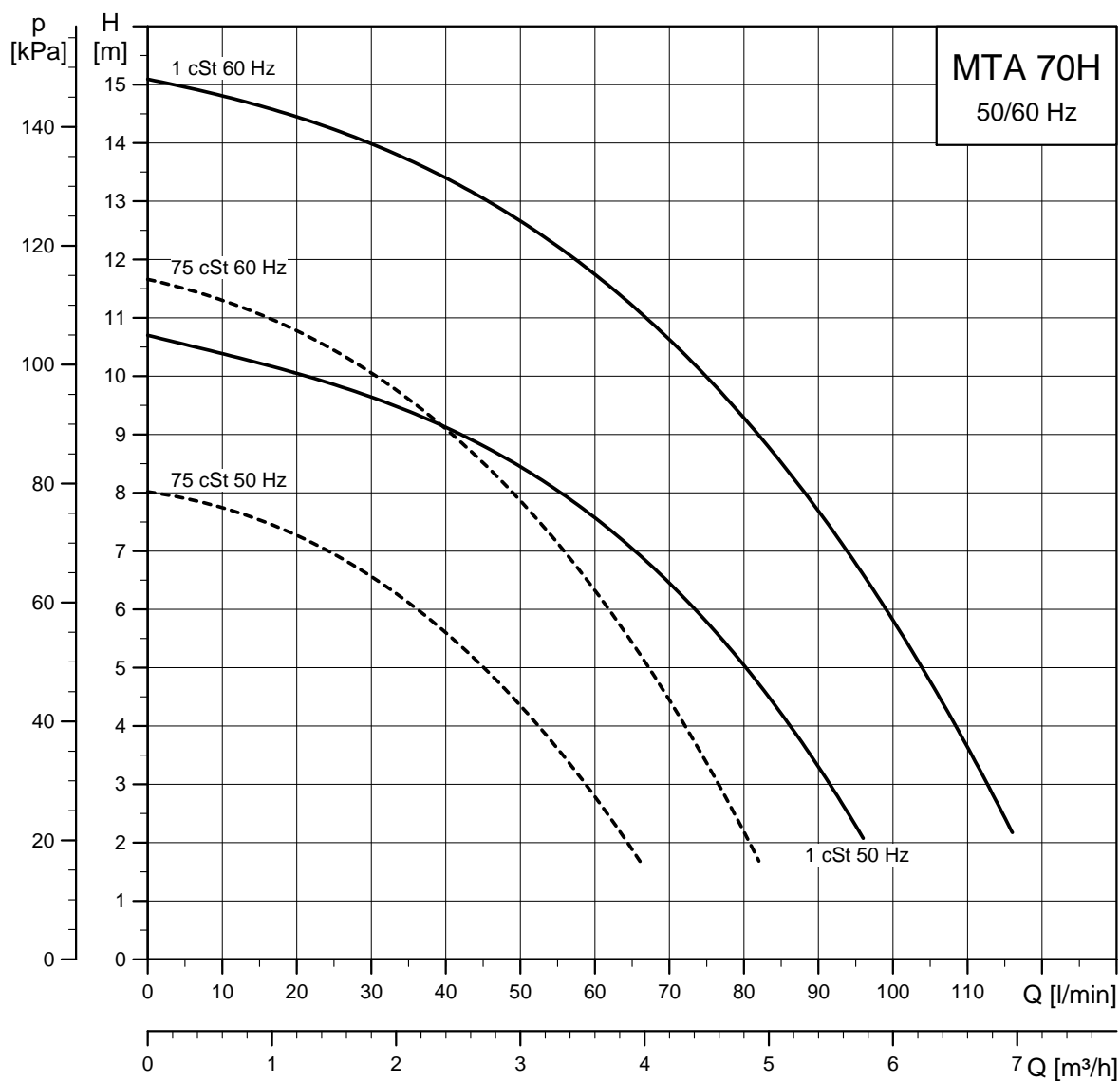
Dimensions and weights

Pump type	Suction	A [mm]	B [mm]	Net weight [kg]	Gross weight [kg]	Shipping volume [m ³]
MTA 40H-180	Top	361	180	11.3	12.6	0.02

Electrical data

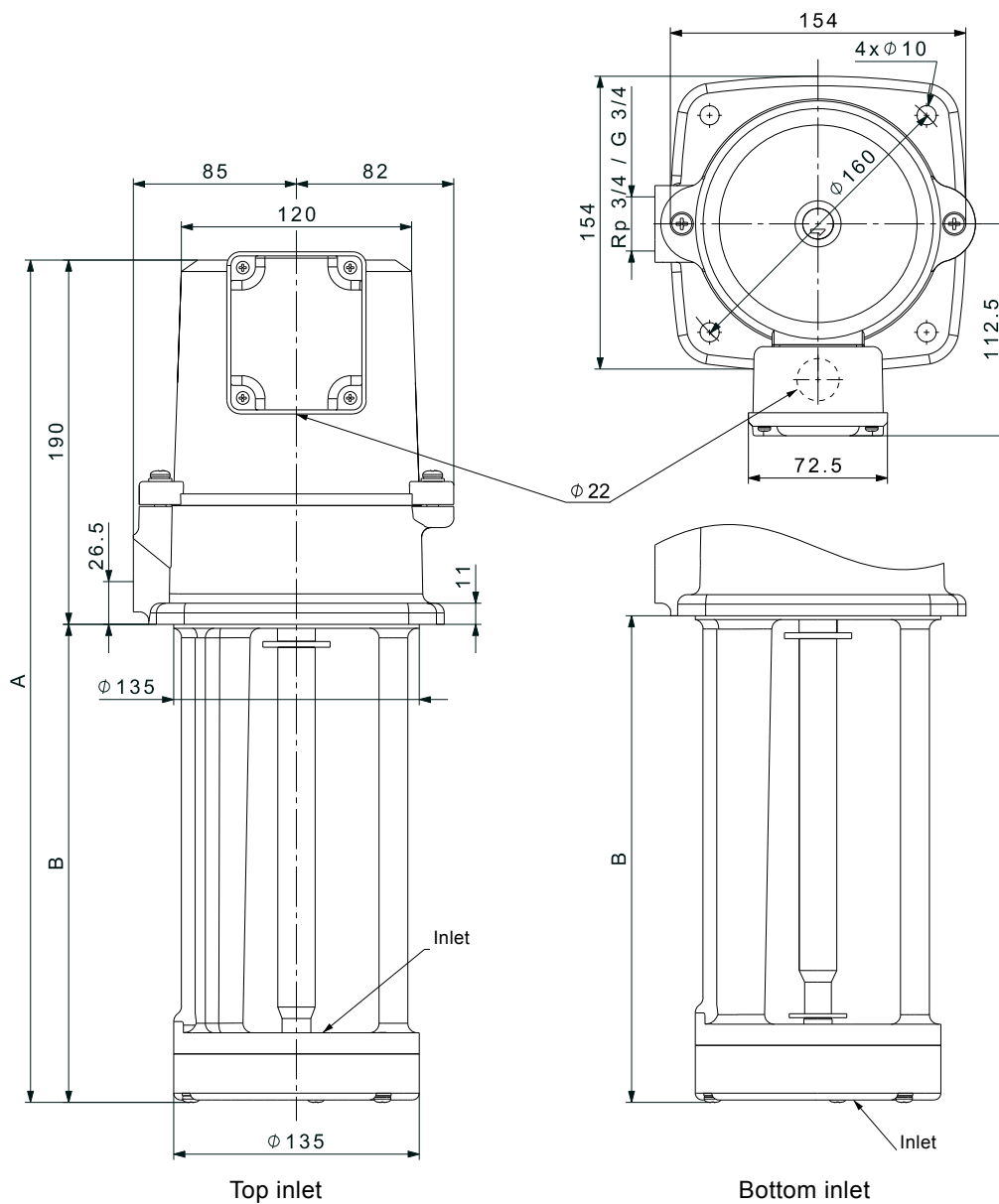
Voltage	Frequency [Hz]	P1 [W]	I _{1/1} [A]	I _{max} [A]	I _{start} [A]	Cos φ
3 x 200 Δ V	50	240	0.86	0.99	5.42	0.81
3 x 200-220 Δ V	60	375	1.28 - 1.2	1.47 - 1.38	6.27 - 6.36	0.85 - 0.82
3 x 220-240 Δ / 380-415Y V	50	230	0.79/0.48	0.91/0.55	5.85/3.55	0.76 - 0.70
3 x 220-240 Δ / 380-440Y V	60	365	1.14/0.69 - 0.63	1.31/0.79 - 0.72	6.50/3.93 - 3.59	0.84 - 0.77

MTA 70H



TM05 0864 1711

Dimensional sketches



TM05 8318 3313

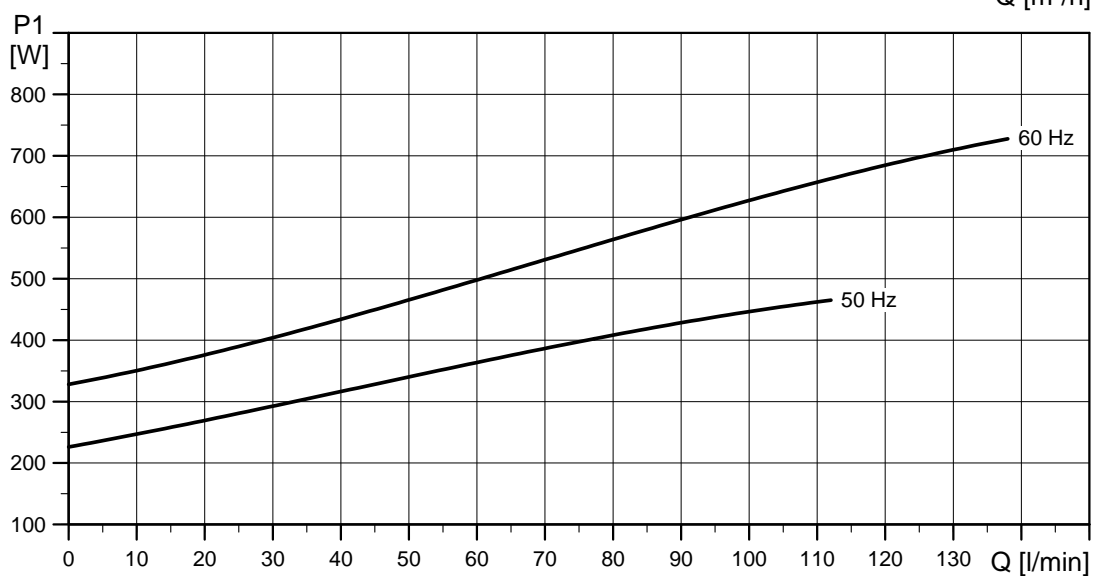
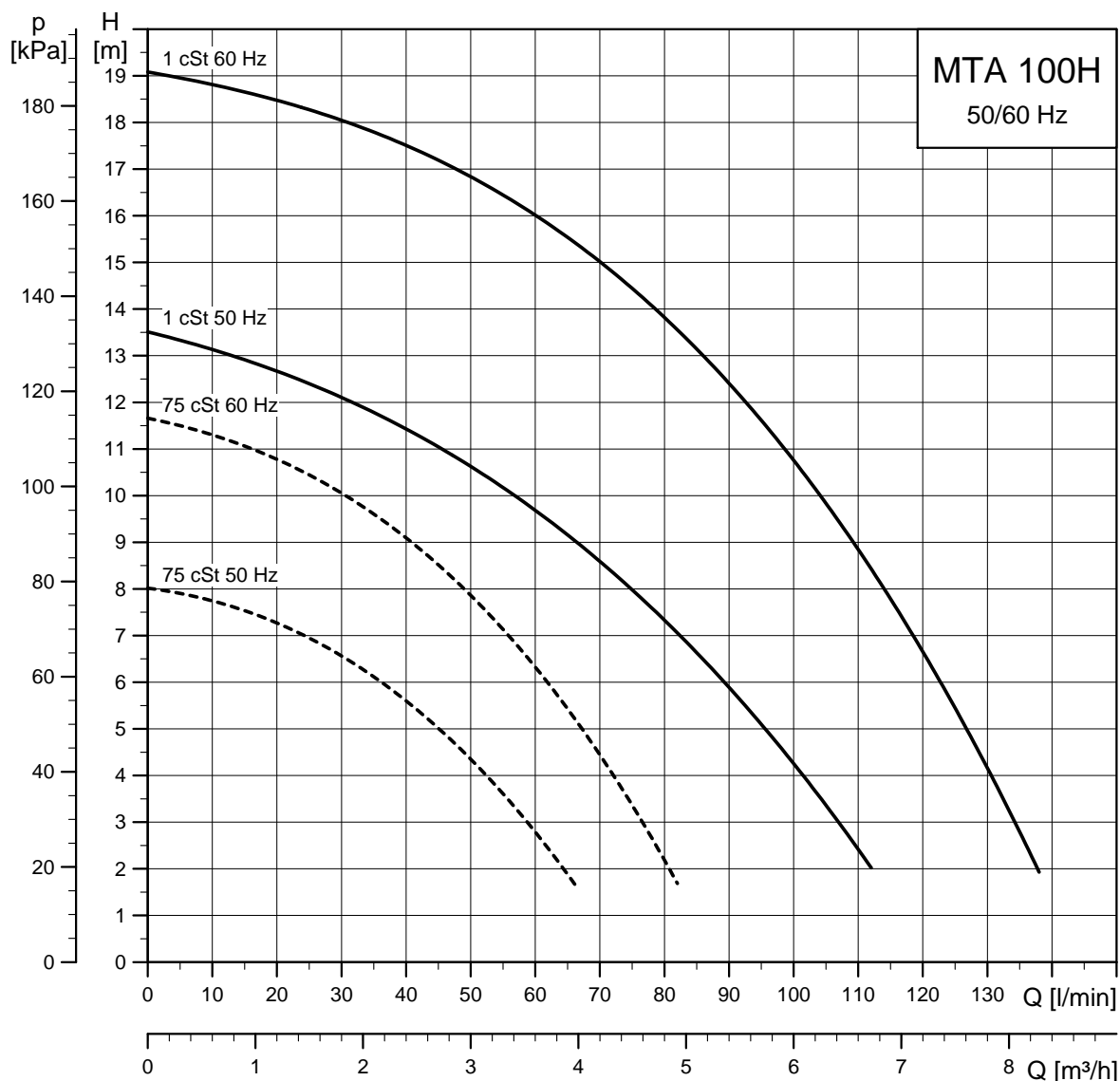
Dimensions and weights

Pump type	Suction	A [mm]	B [mm]	Net weight [kg]	Gross weight [kg]	Shipping volume [m ³]
MTA 70H-250	Top	440	250	14.3	16.0	0.023
MTA 70H-250	Bottom	440	250	14.8	16.5	0.023

Electrical data

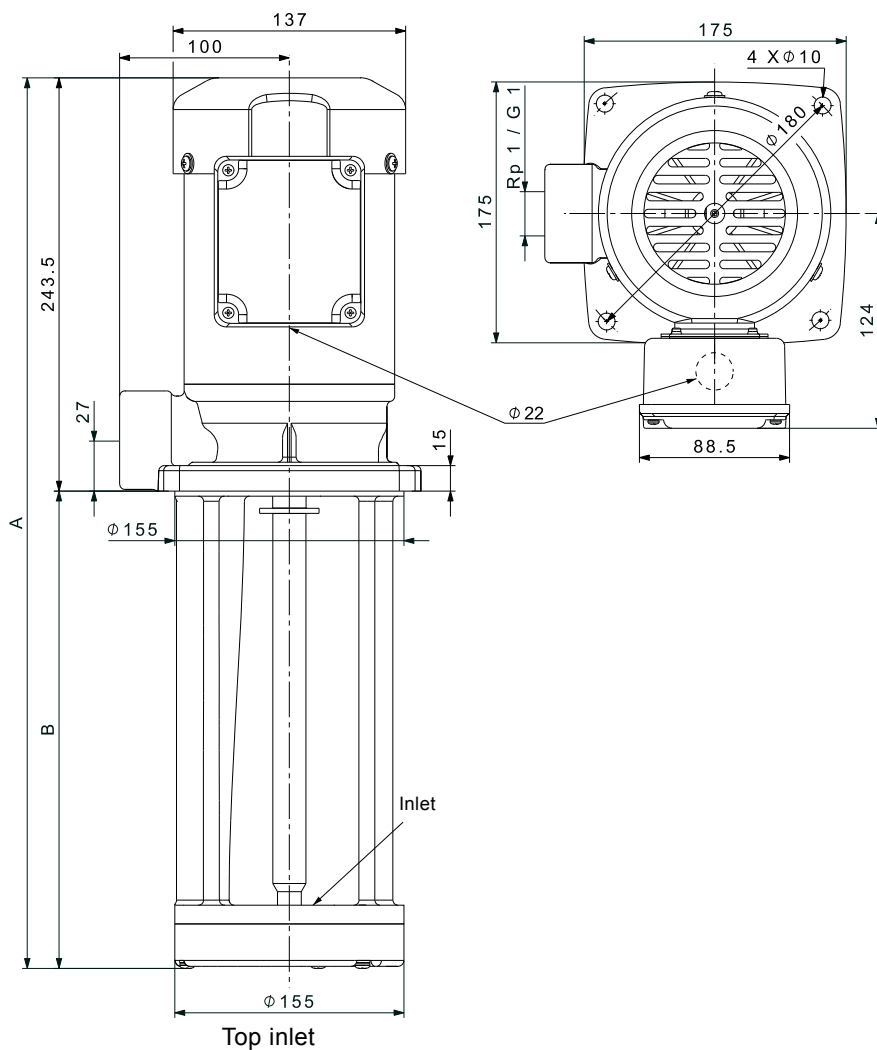
Voltage	Frequency [Hz]	P1 [W]	I _{1/1} [A]	I _{max} [A]	I _{start} [A]	Cos ϕ
3 x 200 Δ V	50	283	1.18	1.36	8.26	0.69
3 x 200-220 Δ V	60	460	1.63 - 1.54	1.87 - 1.77	9.29 - 9.55	0.81 - 0.78
3 x 220-240 Δ / 380-415Y V	50	281	1.02/0.59	1.17/0.68	7.65/4.43	0.72 - 0.66
3 x 220-240 Δ / 380-440Y V	60	458	1.45/0.86 - 0.74	1.67/0.99 - 0.85	8.56/5.07 - 4.37	0.83 - 0.76

MTA 100H



TM05 0865 1711

Dimensional sketches



TM06 2756 4614

Dimensions and weights

Pump type	Suction	A [mm]	B [mm]	Net weight [kg]	Gross weight [kg]	Shipping volume [m ³]
MTA 100H-180	Top	423.5	180	16.9	18.5	0.032
MTA 100H-240		483.5	240	19.5	21.1	0.032
MTA 100H-280		523.5	280	18.5	20.1	0.032

Electrical data

Voltage	Frequency [Hz]	P ₁ [W]	I _{1/1} [A]	I _{max} [A]	I _{start} [A]	Cos φ
3 x 200 Δ V	50	465	1.81	2.08	12.1	0.74
3 x 200-220 Δ V	60	725	2.4 - 2.28	2.76 - 2.62	13.9 - 14.1	0.87 - 0.83
3 x 220-240 Δ / 380-415Y V	50	445	1.47/0.87	1.69/1.00	10.0/5.92	0.79 - 0.73
3 x 220-240 Δ / 380-440Y V	60	715	1.98/1.21 - 1.05	2.28/1.39 - 1.21	11.5/7.02 - 6.09	0.95 - 0.87

12. Motor data

Standard motors, MTR and SPK



TM03 1711 2805

Fig. 62 Grundfos MG motor



TM03 1710 2805

Fig. 63 Siemens motor

Standard motors, MTR and SPK, 50 Hz

Motor make	P2 [kW]	Frame size	Standard voltage [V]	I _{1/1} [A]	Cos φ _{1/1}	η [%]	Motor efficiency class	I _{start} [A]	Speed [min ⁻¹]
Siemens	0.06	63	220-240Δ/380-415Y	0.31/0.18	0.79-0.72	68.5	-	1.55/0.90	2800-2850
	0.12	63	220-240Δ/380-415Y	0.59/0.34	0.80-0.72	71.0	-	2.71/1.56	2800-2850
	0.18	63	220-240Δ/380-415Y	0.90/0.52	0.79-0.71	71.5	-	3.94/2.28	2800-2850
Grundfos MG	0.25	71	220-255Δ/380-440Y	1.12/0.65	0.83-0.71	73.0	-	6.38/3.71	2840-2880
	0.37	71	220-240Δ/380-415Y	1.7/1.0	0.80-0.70	73.8	-	8.5-9.2/4.9-5.3	2850-2880
	0.55	71	220-240Δ/380-415Y	2.5/1.4	0.80-0.70	77.8	-	12-13/6.9-7.5	2830-2850
	0.75	80	380-415Δ	1.9	0.81-0.71	80.7	IE3	11.0-11.8	2840-2870
	1.1	80	380-415Δ	2.5	0.83-0.76	82.7	IE3	11.3-12.5	2840-2870
	1.5	90	380-415Δ	3.15	0.87-0.82	84.2	IE3	26.8-29.3	2890-2910
	2.2	90	380-415Δ	4.45	0.89-0.87	85.9	IE3	37.8-42.3	2890-2910
	3.0	100	380-415Δ	6.30	0.87-0.82	87.1	IE3	52.9-58.0	2900-2920
	4.0	112	380-415Δ	7.90	0.87	88.1	IE3	79-87.7	2920-2940
	5.5	132	380-415Δ	11.0	0.87-0.82	89.2	IE3	118.8-129.8	2920-2940
	7.5	132	380-415Δ/660-690Y	14.4-14.0/8.30-8.10	0.88-0.82	90.4	IE3	112.3-127.4/64.7-73.7	2910-2920
	11	160	380-415Δ/660-690Y	20.8-19.8/12.0-11.8	0.88-0.84	91.2	IE3	137.3-154.4/79.2-92.04	2940-2950
	15	160	380-415Δ/660-690Y	28.0-26.0/16.2-15.6	0.89-0.87	91.9	IE3	184.8-202.8/106.9-121.7	2930-2950
	18.5	160	380-415Δ/660-690Y	34.5-32.5/20.0-18.8	0.89-0.85	92.4	IE3	286.4-318.5/166-184.2	2940-2950
	22	180	380-415Δ/660-690Y	39.5/22.8	0.90	92.7	IE3	327.9-189.24	2950
Siemens	30	200L	380-415Δ/660-690Y	56.0-51.0/32.0-29.5	0.86	93.3	IE3	369.6-336.6/211.2-194.7	2955
	37	200L	380-415Δ/660-690Y	68.0-63.0/39.0-36.0	0.87	93.7	IE3	455.6-422.1/261.3-241.2	2955
	45	225M	380-415Δ/660-690Y	81.0-74.0/47.0-43.0	0.89	94.0	IE3	558.9-510.6/324.3-296.7	2960

Standard motors, MTR and SPK, 50 Hz, 3 x 200 V

Motor make	P2 [kW]	Frame size	Standard voltage [V]	I _{1/1} [A]	Cos φ _{1/1}	η [%]	Motor efficiency class	I _{start} [A]	Speed [min ⁻¹]
Siemens	0.06	63	200Δ/346Y	0.35/0.2	0.79	69.3	-	1.70/0.97	2830
	0.12	63	200Δ/346Y	0.66/0.38	0.77	70.5	-	3.38/1.95	2830
	0.18	63	200Δ/346Y	1.0/0.58	0.75	70.3	-	4.61/2.67	2830
Grundfos MG	0.25	71A	200-220Δ/346-380Y	1.32/0.76	0.82-0.77	70.0	-	7.00/4.03	2810-2850
	0.37	71A	200-220Δ/346-380Y	1.90/1.1	0.80-0.70	78.5	-	9.31/5.39	2850-2880
	0.55	71B	200-220Δ/346-380Y	2.75/1.58	0.80-0.70	80.0	-	13.2/7.58	2830-2850
	0.75	80A	200-220Δ/346-380Y	3.35-3.65/1.94-2.1	0.79-0.67	80.7	IE3	22.1-24.5/12.8-14.1	2820-2860
	1.1	80C	200-220Δ/346-380Y	4.65-4.65/2.7-2.7	0.83-0.75	82.7	IE3	33.5-37.2/19.4-21.6	2830-2860
	1.5	90LC	200-220Δ/346-380Y	6-6.05/3.45-3.5	0.85-0.78	84.2	IE3	68.4-77.4/39.3-44.8	2930-2950
	2.2	90LC	200-220Δ/346-380Y	8.9-9.35/5.15-5.35	0.85-0.74	85.9	IE3	89-100/51.5-57.2	2910-2930
	3	100LC	200-220Δ/346-380Y	11.4-12.8/6.55-7.35	0.86-0.7	87.1	IE3	161.9-180.5/93-103.6	2940-2950
	4	112MC	200-220Δ/346-380Y	14.6-14/8.5-8.1	0.88-0.84	88.1	IE3	151.8-170.8/88.4-98.8	2930-2940
	5.5	132SC	200-220Δ/346-380Y	20.4-19.8/11.8-11.4	0.88-0.82	89.2	IE3	208.1-231.7/120.4-133.4	2910-2930
7.5	132SB	200-220Δ/346-380Y	29-32/16.8-18.2	0.82-0.69	90.7	IE3	263.9-297.6/152.9-169.3	2930-2940	
Siemens	11	160M	200Δ	40.0	0.87	91.2	IE3	-	2955
	15	160M	200Δ	54.0	0.86	91.9	IE3	-	2955
	18.5	160L	200Δ	64.0	0.90	92.4	IE3	-	2960
	22	180M	200Δ	77.0	0.89	92.7	IE3	-	2950
	30	200L	200Δ	106	0.87	93.3	IE3	-	2955
	37	200L	200Δ	130	0.88	93.7	IE3	-	2955
	45	225M	200Δ	155	0.89	94	IE3	-	2960



TM03 1711 2805

Fig. 64 Grundfos MG motor



TM03 1711 2805

Fig. 65 Siemens motor

Standard motors, MTR and SPK, 60 Hz

Motor make	P2 [kW]	Frame size	Standard voltage [V]	I _{1/1} [A]	Cos φ _{1/1}	η [%]	Motor efficiency class	I _{start} [A]	Speed [min ⁻¹]
Siemens	0.06	63	220-277Δ/380-480Y	0.31/0.18	0.83-0.67	69.0	-	1.62/0.95	3360-3460
	0.12	63	220-277Δ/380-480Y	0.59/0.34	0.85-0.67	71.0	-	2.92/1.70	3360-3460
	0.18	63	220-277Δ/380-480Y	0.90/0.52	0.84-0.66	70.5	-	4.08/2.35	3360-3460
Grundfos MG	0.25	71A	220-255Δ/380-440Y	1.10-1.02/0.63-0.59	0.86-0.77	73	-	6.1-7.1/3.5-4.1	3400-3450
	0.37	71	220-255Δ/380-440Y	1.50-1.44/0.87-0.83	0.85-0.76	73.8	-	8.3-9.4/4.8-5.4	3410-3470
	0.55	71	220-255Δ/380-440Y	2.15-2.05/1.25-1.20	0.85-0.76	76.8	-	10.8-12.3/6.3-7.2	3390-3460
	0.75	80	380-440Δ	1.70-1.60	0.86-0.77	77	IE3	10.2-11.8	3410-3470
	1.1	80	380-440Δ	2.40-2.30	0.88-0.80	82.5	IE2 - IE3	10.3-11.5	3420-3470
	1.5	90	380-480Δ	3.10-2.70	0.90-0.81	84-58.5	IE2 - IE3	24.2-28.4	3470-3530
	2.2	90	380-480Δ	4.45-3.70	0.91-0.85	85.5-86.5	IE2 - IE3	34.7-40.7	3470-3530
	3.0	100	380-480Δ	6.20-5.40	0.91-0.84	87.5-88.5	IE2 - IE3	53.3-59.4	3480-3530
	4.0	112	380-480Δ	7.80-6.80	0.91-0.82	88.1	IE3	78-100	3510-3540
	5.5	132	380-480Δ	10.6-9.30	0.90-0.80	89.5	IE3	108.1-137.6	3510-3550
	7.5	132	380-480Δ/660-690Y	14.2-12.0/8.20-8.10	0.90-0.82	89.5	IE2	96.6-126/55.8-85.1	3490-3530
	11	160	380-480Δ/660-690Y	20.8-17.2/12.0-11.6	0.89-0.83	90.2-91	IE2 - IE3	120.6-153.1/69.6-103.2	3520-3550
	15	160	380-480Δ/660-690Y	28.0-22.4/16.2-15.6	0.90-0.86	90.2-91	IE2 - IE3	162.4-199.4/94-138.8	3520-3550
	18.5	160	380-480Δ/660-690Y	34.5-28.0/20.0-16.6	0.89-0.84	91-91.7	IE2 - IE3	231.2-308/134-182.6	3520-3560
	22	180	380-480Δ/660-690Y	40.0-32.5/23.0-22.2	0.91	91.7	IE3	260-338/149.5-230.9	3520-3560
Siemens	30	200L	380-420Δ/660-725Y	56.0-50.0/32.0-29.0	0.89	92.4	IE3	341.6-305/195.2-176.9	3545
	37	200L	380-420Δ/660-725Y	69.0-62.0/38.5-35.0	0.90	93	IE3	400.2-359.6/223.3-203	3540
	45	225M	380-420Δ/660-725Y	81.0-73.0/47.0-43.0	0.90	93.6	IE3	453.6-408.8/263.2-240.8	3550

Standard motors, MTR and SPK, 60 Hz, 3 x 200 V

Motor make	P2 [kW]	Frame size	Standard voltage [V]	I _{1/1} [A]	Cos φ _{1/1}	η [%]	Motor efficiency class	I _{start} [A]	Speed [min ⁻¹]	
Siemens	0.06	63	200-230Δ/346-400Y	0.33/0.19	0.81-0.72	69.3	IE2	1.60/0.92	3380-3440	
	0.12	63	200-230Δ/346-400Y	0.64/0.37	0.84-0.74	70.5	IE2	3.28/1.89	3380-3440	
	0.18	63	200-230Δ/346-400Y	0.94/0.54	0.81-0.68	70.3	IE2	4.33/2.49	3380-3440	
Grundfos MG	0.25	71A	200-230Δ/346-400Y	1.30/0.75	0.86-0.80	68.0	IE2	6.50/3.75	3380-3450	
	0.37	71A	200-230Δ/346-400Y	1.65-1.50/0.96-0.87	0.85-0.76	79.0-80.0	IE2	9.08-9.75/5.28-5.66	3410-3470	
	0.55	71B	200-230Δ/346-400Y	2.36-2.14/1.36-1.24	0.85-0.76	81.5-83.0	IE2	11.8-12.8/6.80-7.44	3390-3460	
	0.75	80A	200-230Δ/346-400Y	3.2-2.95/1.82-1.7	0.84-0.77	75.5-77	IE2 - IE3	8.3-10.9/4.7-6.3	3380-3450	
	1.1	80C	200-230Δ/346-400Y	4.5-4.15/2.6-2.32	0.86-0.81	82.5-84	IE2 - IE3	13.1-17/7.5-9.5	3380-3450	
	1.5	90LC	200-230Δ/346-400Y	5.9-5.5/3.4-3.1	0.89-0.86	84-85.5	IE2 - IE3	58.4-71.5/33.7-40.3	3520-3530	
	2.2	90LC	200-230Δ/346-400Y	8.6-8/5-4.55	0.89-0.87	85.5-86.5	IE2 - IE3	74-91.2/43-51.9	3490-3510	
	3	100LC	200-230Δ/346-400Y	11.2-10.4/6.5-5.8	0.88-0.86	87.5-88.5	IE2 - IE3	141.1-173.7/81.9-96.9	3520-3540	
	4	112MC	200-230Δ/346-400Y	14.6-13/8.45-7.45	0.9-0.87	87.5-88.5	IE2 - IE3	129.9-154.7/75.2-88.7	3510-3540	
	5.5	132SC	200-230Δ/346-400Y	20.2-18/11.6-10.4	0.9-0.87	88.5-89.5	IE2 - IE3	177.8-210.6/102.1-121.7	3490-3520	
	7.5	132SB	200-230Δ/346-400Y	26.5-25/15.4-14.4	0.89-0.82	91-91.6	IE2 - IE3	220-262.5/127.8-151.2	3520-3540	
	Siemens	11	160M	200-220Δ	40.0-36.4	0.87-0.89	91.2-91.6	IE3	-	3550-3560
		15	160M	200-220Δ	55.0-51.4	0.89-0.88	91.0-92.1	IE3	-	3545-3560
		18.5	160L	200-220Δ	64.0-59.6	0.91-0.89	91.0-92.4	IE3	-	3545-3558
		22	180M	200-220Δ	77.0-71.0	0.90-0.89	91.7-91.7	IE3	-	3540-3550
30		200L	200-220Δ	106-98.0	0.89-0.87	92.4-92.4	IE3	-	3545-3555	
37		200L	200-220Δ	130-118	0.90-0.89	93.0-93.0	IE3	-	3540-3560	
45		225M	200-220Δ	157-142	0.89-0.89	93.0-93.6	IE3	-	3550-3565	

Motors, MTH, 50 Hz

Motor make	P2 [kW]	Frame size	Standard voltage [V]	I _{1/1} [A]	Cos φ _{1/1}	η [%]	Motor efficiency class	I _{start} [A]	Speed [min ⁻¹]
MG	0.55	71	220-240D/380-415Y	2.50/1.44	0.8-0.70/0.76-0.85	80.0-80.0/81.5-83	IE3	14.5-8.4/15.5-8.9	2.830-2.880
MG	0.75	80	220-240D/380-415Y	3.30/1.90	0.81-0.71/0.77-0.86	81.7-81.2/82.9-83.5	IE3	19.1-11/20.5-11.8	2.840-2.870
MG	1.1	80	220-240D/380-415Y	4.35/2.50	0.83-0.76/0.80-0.88	82.8-83.4/83.4-85.7	IE3	19.6-11.3/21.8-12.5	2.840-2.870
MG	1.5	90	220-240D/380-415Y	5.45/3.15	0.87-0.82/0.81-0.9	83.8-84.3/83.9-84.5	IE3	46.3-26.8/50.7-29.3	2.890-2.910
MG	2.2	90	220-240D/380-415Y	7.70/4.45	0.89-0.87/0.85-0.91	85.9-86.8/85.1-87	IE3	65.5-37.8/73.2-42.3	2.890-2.910
MG	3	100	220-240D/380-415Y	11.0/6.30	0.87-0.82/0.79-0.91	86.6-86.8/86.7-88.2	IE3	92.4-52.9/101.2-58	2.900-2.920
MG	4	112	220-240D/380-415Y	13.6/7.90	0.87-0.87/0.82-0.91	88.3-88.6/88.2-88.5	IE3	136-79/151-87.7	2.920-2.940

Motors, MTH, 60 Hz

Motor make	P2 [kW]	Frame size	Standard voltage [V]	I _{1/1} [A]	Cos φ _{1/1}	η [%]	Motor efficiency class	I _{start} [A]	Speed [min ⁻¹]
MG	0.55	71	220-255D/380-440Y	2.15-2.05/ 1.25-1.20	0.8-0.70/0.76-0.85	80.0-80.0/81.5-83	IE3	10.8-6.3/12.3-7.2	3.390-3.460
MG	0.75	80	220-255D/380-440Y	2.95-2.75/ 1.70-1.60	0.81-0.71/0.77-0.86	81.7-81.2/82.9-83.5	IE3	17.7-10.2/20.4-11.8	3.410-3.470
MG	1.1	80	220-255D/380-440Y	4.15-4.00/ 2.40-2.30	0.83-0.76/0.80-0.88	82.8-83.4/83.4-85.7	IE2 - IE3	17.8-10.3/20-11.5	3.420-3.470
MG	1.5	90	220-277D/380-480Y	5.35-4.70/ 3.10-2.70	0.87-0.82/0.81-0.9	83.8-84.3/83.9-84.5	IE2 - IE3	41.7-24.2/49.4-28.4	3.470-3.530
MG	2.2	90	220-277D/380-480Y	7.70-6.35/ 4.45-3.70	0.89-0.87/0.85-0.91	85.9-86.8/85.1-87	IE2 - IE3	60.1-34.7/69.9-40.7	3.470-3.530
MG	3	100	220-277D/380-480Y	10.8-9.35/ 6.20-5.40	0.87-0.82/0.79-0.91	86.6-86.8/86.7-88.2	IE2 - IE3	92.9-53.3/102.9-59.4	3.480-3.530
MG	4	112	220-277D/380-480Y	13.6-11.8/ 7.80-6.80	0.87-0.87/0.82-0.91	88.3-88.6/88.2-88.5	IE2 - IE3	136-78/173.5-100	3.510-3.540

Motors, MTH, 50 Hz, 3 x 200 V

Motor make	P2 [kW]	Frame size	Standard voltage [V]	I _{1/1} [A]	Cos φ _{1/1}	η [%]	Motor efficiency class	I _{start} [A]	Speed [min ⁻¹]
MG	0.55	71	200-220D/346-380Y	2.75-2.75/ 1.58-1.58	0.80-0.70/0.76-0.85	80.0-80.0/81.5-83	IE3	13.2-7.6/14.3-8.2	2.830-2.880
MG	0.75	80	220-240D/380-415Y	3.55-3.65/ 2.06-2.1	0.81-0.71/0.77-0.86	81.7-81.2/82.9-83.5	IE3	23.4-13.6/24.5-14.1	2.840-2.860
MG	1.1	80	220-240D/380-415Y	4.65-4.65/ 2.7-2.7	0.83-0.76/0.77-0.88	82.8-83.4/83.4-85.7	IE3	20.9-12.2/37.2-21.6	2.840-2.870
MG	1.5	90	220-240D/380-415Y	6.3-6.35/ 3.6-3.7	0.85-0.78/0.86-0.89	85.3-84/86-85.7	IE3	71.8-41/81.3-47.4	2.930-2.950
MG	2.2	90	220-240D/380-415Y	8.9-9.35/ 5.15-5.35	0.85-0.87/0.87-0.89	85.9-86.8/85.1-87	IE3	89-51.5/100-57.2	2.910-2.930
MG	3	100	220-240D/380-415Y	12-13.4/ 6.9-7.7	0.8-0.7/0.82-0.88	87.8-87.6/88.2-88.4	IE3	170.4-98/188.9-108.6	2.940-2.950
MG	4	112	220-240D/380-415Y	14.6-14/ 8.5-8.1	0.88-0.84/0.87-0.9	88.3-88.6/88.2-88.5	IE3	151.8-88.4/170.8-98.8	2.930-2.940

Motors, MTH, 50/60 Hz, 3 x 200 V*

Motor make	Frequency [Hz]	P2 [kW]	Frame size	Standard voltage [V]	I _{1/1} [A]	Cos φ _{1/1}	η [%]	Motor efficiency class	I _{start} [A]	Speed [min ⁻¹]
MG	50	0.37	71	200-220D/346-380Y	1.88-2.2/1.08-1.26	0.73-0.59	73.8	IE3	15.8-9.1/17.6-10.1	2.900-2.920
	60	0.55		200-230D/346-400Y	2.36-2.14/1.36-1.24	0.85-0.76	76.8	IE3	11.8-6.8/12.8-7.4	3.390-3.460
MG	50	0.55	80	200-220D/346-380Y	2.7-2.95/1.56-1.7	0.67-0.51	77.8	IE3	21.1-12.2/20.1-11.6	2.880-2.900
	60	0.75		200-230D/346-400Y	3.2-2.95/1.82-1.7	0.86-0.77	75.5-77	IE2 - IE3	20.2-11.5/23.6-13.6	3.410-3.470
MG	50	0.75	80	200/346	5.1/2.95	0.56	80.7	IE3	33.2-19.2	2.910-2.910
	60	1.1		200-230D/346-400Y	5.05-5/2.9-2.9	0.81-0.73	84	IE3	25.8-14.8/30-17.4	3.420-3.450
MG	50	1.1	90	200-220D/346-380Y	4.8-5.1/2.8-2.95	0.79-0.69	82.7	IE3 - IE2	68.2-39.8/76.5-44.3	2.950-2.960
	60	1.5		200-230D/346-400Y	6.2-5.8/3.55-3.25	0.89-0.86	84-85.5	IE2 - IE3	61.4-35.1/75.4-42.3	3.520-3.530
MG	50	1.5	90	200-220D/346-380Y	6.8-7.95/3.95-4.6	0.77-0.62	81.3	IE2	88.4-51.4/100.2-58	2.940-2.950
	60	2.2		200-230D/346-400Y	8.6-8/5-4.55	0.89-0.87	85.5-86.5	IE2 - IE3	74-43/91.2-51.9	3.490-3.510
MG	50	2.2	100	200-220D/346-380Y	10-13/5.75-7.5	0.73-0.53	85.9	IE3 - IE2	170-97.8/188.5-108.8	2.960-2.960
	60	3		200-230D/346-400Y	11.8-11/6.85-6.1	0.88-0.82	87.5-88.5	IE2 - IE3	148.7-86.3/183.7-101.9	3.520-3.540
MG	50	3	112	200-220D/346-380Y	11.6-11.4/6.65-6.6	0.84-0.81	87.1	IE3	154.3-88.4/169.9-98.3	2.950-2.960
	60	4		200-230D/346-400Y	14.6-13/8.45-7.45	0.9-0.87	87.5-88.5	IE2 - IE3	129.9-75.2/154.7-88.7	3.510-3.540

* The motors can operate at both 50 and 60 Hz and therefore two data sets are provided for each frame size.

E-motors, MTRE



TM03 1712 2805

Fig. 66 Grundfos MGE motor

E-motors, MTRE, 50/60 Hz

Motor make	P2 [kW]	Frame size	Phase	Standard voltage [V]	$I_{1/1}$ [A]	$\cos \phi_{1/1}$	η [%]	Motor efficiency class
Grundfos MGE	0.37*	71	1	200-240	2.4 - 2.1	0.96	84	IE4**
	0.55*	71	1	200-240	3.45 - 2.9	0.98	85.3	IE4**
	0.75*	80	1	200-240	4.7 - 3.9	0.99	85.2	IE4**
	1.1*	80	1	200-240	6.7 - 5.6	0.99	86.9	IE4**
	1.5*	90	1	200-240	9.1 - 7.6	0.99	87.4	IE4**
	0.37	71	3	380-500	1.05 - 1.0	0.68 - 0.54	84.5	IE4**
	0.55	71	3	380-500	1.35 - 1.3	0.77 - 0.61	85.9	IE4**
	0.75	80	3	380-500	1.7 - 1.6	0.83 - 0.67	85.9	IE4**
	1.1	80	3	380-500	2.2 - 1.9	0.89 - 0.79	89.1	IE4**
	1.5	90	3	380-500	2.9 - 2.4	0.92 - 0.85	88.9	IE4**
	2.2	90	3	380-500	4.15 - 3.4	0.93 - 0.87	90.1	IE4**
	3	100	3	380-500	5.8 - 4.8	0.91 - 0.86	90.7	IE4**
	4	112	3	380-500	7.6 - 6.2	0.92 - 0.87	92.2	IE4**
	5.5	132	3	380-500	10.3 - 8.2	0.92 - 0.88	92.7	IE4**
	7.5	132	3	380-500	14.1 - 11.2	0.93 - 0.89	92.5	IE4**
	11	160	3	380-500	20.3 - 16.0	0.93 - 0.90	93.1	IE4**
	15	160	3	380-480	30.0 - 26.0	0.91 - 0.86	91.9	IE3
	18.5	160	3	380-480	37.0 - 31.0	0.91 - 0.88	92.4	IE3
	22	180	3	380-480	43.5 - 35.0	0.91 - 0.90	92.7	IE3

* Pumps are normally fitted with three-phase MGE motors. Dimension tables in section [Performance curves and technical data](#) on page 51 show pumps with three-phase MGE motors.

** The IE efficiency levels are defined in IEC 60034-30-1 Ed. 1 (CD) draft. Due to the technology used in this motor, it falls outside the scope of IEC 60034-30-1 Ed. 1 (CD). Being the only defined standard at present, this standard is chosen as reference. The efficiency (including both motor and electronics) is above the IE4 level.

E-motors, MTRE, 60 Hz, 3 x 200 V

Motor make	P2 [kW]	Frame size	Phase	Standard voltage [V]	$I_{1/1}$ [A]	$\cos \phi_{1/1}$	η [%]	Motor efficiency class
Grundfos MGE	1.5	90	3	200-230	5.6 - 5.1	0.95	84.0	IE2
	2.2	90	3	200-230	8.3 - 7.6	0.95	85.5	IE2
	4	112	3	200-230	13.4 - 12.8	0.94	87.5	IE2
	5.5	132	3	200-230	19.7 - 18.1	0.94 - 0.92	88.5	IE2

13. Pumped liquids

Pumped liquids

MTR, MTRE, MTH and MTA pumps are designed to pump non-explosive liquids that do not chemically attack the pump materials.

When pumping liquids with a density and/or viscosity higher than that of water, oversized motors may be required.

Whether a pump is suitable for a particular liquid depends on a number of factors of which the most important are the chloride content, pH-value, temperature and content of chemicals, oils, etc.

Please note that aggressive liquids may attack or dissolve the protective oxide film of the stainless steel and thus cause corrosion.

Pumping of solid particles

MTR, SPK and MTH pumps

These pumps are fitted with a inlet strainer. The strainer prevents large solid particles from entering and damaging the pump. The table below describes the size of the passage in the strainer and the impeller.

Pump	Strainer passage [mm]	Free strainer passage [cm ²]	Impeller passage [mm]
MTR(E) 1s	∅2	23	2.5
MTR(E) 1	∅2	23	2.5
MTR(E) 3	∅2	23	3.1
MTR(E) 5	∅4	28	5.5
MTR(E) 10	∅4	43	5.5
MTR(E) 15	∅4	43	6.0
MTR(E) 20	∅4	43	8.0
MTR(E) 32	∅4	56	8.0
MTR(E) 45	∅4	56	9.5
MTR(E) 64	∅4	56	13.0
SPK 1	∅2	-	2.5
SPK 2	∅2	-	2.5
SPK 4	∅2	-	2.5
SPK 8	∅4	-	4.0
MTH 2	∅2	23	2.0
MTH 4	∅4	28	4.0

If the pumped liquid contains solid particles larger than the size of the holes in the strainer, the passage of the strainer may be blocked. In such situations the performance will drop as a result of a reduced flow through the pump.

Note: If you remove the strainer from the inlet port, solid particles may enter the pump and cause a seizure or even damage the pump.

In grinding applications Grundfos recommends that the pumped liquid is screened for abrasive particles before entering the pump. When pumped, abrasive particles reduce the life of the pump components.

Wear of the pump components caused by abrasive particles starts when the concentration exceeds 20 ppm.

MTA pumps

MTA pumps are not fitted with a inlet strainer.

Pump	Max. particle size [mm]
MTA 30	4-5
MTA 60	
MTA 90	
MTA 120	8-10
MTA 200	
MTA 20H	
MTA 40H	2-3
MTA 70H	
MTA 100H	

List of pumped liquids

A number of typical liquids are listed below.

Other pump versions/shaft seals may be applicable, but those stated in the list are considered to be the best choices.

The table is intended as a general guide only, and it cannot replace actual testing of the pumped liquids and pump materials under specific working conditions.

The list must, however, be applied with some caution as factors such as concentration of the pumped liquid, liquid temperature or pressure may affect the chemical resistance of a specific pump version.

Safety precautions must be taken when pumping hazardous/flammable liquids.

Pumped liquid	Note	Liquid concentration, liquid temperature	Recommended pump version/shaft seal	
			MTR, MTRE	
			A-version (standard range, all wetted parts of cast iron and stainless steel)	I-version (stainless-steel version, all wetted parts of stainless steel EN/DIN 1.4301)
Acetic acid, CH ₃ COOH	-	5 %, 20 °C	-	HUUE
Alkaline degreasing agent	D, F	-	HUUE	-
Ammonium bicarbonate, NH ₄ HCO ₃	E	20 %, 30 °C	-	HUUE
Ammonium hydroxide, NH ₄ OH	-	20 %, 40 °C	HUUE	-
Benzoic acid, C ₆ H ₅ COOH	H	0.5 %, 20 °C	-	HUUV
Boiler water	-	< 90 °C	HUUE	-
Calcareous water	-	< 90 °C	HUUE	-
Calcium acetate (as coolant with inhibitor) Ca(CH ₃ COO) ₂	D, E	30 %, 50 °C	HUUE	-
Calcium hydroxide, Ca(OH) ₂	E	Saturated solution, 50 °C	HUUE	-
Chloride-containing water	F	< 30 °C, max. 500 ppm	-	HUUE
Citric acid, HOC(CH ₂ CO ₂ H) ₂ COOH	H	5 %, 40 °C	-	HUUE
Completely desalinated water (demineralised water)	-	< 90 °C	-	HUUE
Condensate	-	< 90 °C	HUUE	-
Copper sulphate, CuSO ₄	E	10 %, 30 °C	-	HUUE
Corn oil	D, E, 3	100 %, 80 °C	HUUV	-
Domestic hot water (potable water)	-	< 120 °C	HUUE	-
Ethylene glycol, HOCH ₂ CH ₂ OH	D, E	50 %, 50 °C	HUUE	-
Formic acid, HCOOH	-	2 %, 20 °C	-	HUUE
Glycerine (glycerol), OHCH ₂ CH(OH)CH ₂ OH	D, E	50 %, 50 °C	HUUE	-
Hydraulic oil (mineral)	E, 2, 3	100 %, 100 °C	HUUV	-
Hydraulic oil (synthetic)	E, 2, 3	100 %, 100 °C	HUUV	-
Lactic acid, CH ₃ CH(OH)COOH	E, H	10 %, 20 °C	-	HUUV
Linoleic acid, C ₁₇ H ₃₁ COOH	E, 3	100 %, 20 °C	HUUV	-
Motor oil	E, 2, 3	100 %, 80 °C	HUUV	-
Cutting oil	E	90 °C	HUUV	-
Water-based cooling lubricant	E	90 °C	HUUV	-
Naphthalene, C ₁₀ H ₈	E, H	100 %, 80 °C	HUUV	-
Nitric acid, HNO ₃	F	1 %, 20 °C	-	HUUE
Oil-containing water	-	< 90 °C	HUUV	-
Olive oil	D, E, 3	100 %, 80 °C	HUUV	-
Oxalic acid, (COOH) ₂	H	1 %, 20 °C	-	HUUE
Peanut oil	D, E, 3	100 %, 80 °C	HUUV	-
Phosphoric acid, H ₃ PO ₄	E	20 %, 20 °C	-	HUUE
Propylene glycol, CH ₃ CH(OH)CH ₂ OH	D, E	50 %, 90 °C	HUUE	-
Potassium carbonate, K ₂ CO ₃	E	20 %, 50 °C	HUUE	-
Potassium formate (as coolant with inhibitor), KOOCH	D, E	30 %, 50 °C	HUUE	-
Potassium hydroxide, KOH	E	20 %, 50 °C	-	HUUE
Potassium permanganate, KMnO ₄	-	1 %, 20 °C	-	HUUE
Rape seed oil	D, E, 3	100 %, 80 °C	HUUV	-
Salicylic acid, C ₆ H ₄ (OH)COOH	H	0.1 %, 20 °C	-	HUUE
Silicone oil	E, 3	100 %	HUUV	-
Sodium bicarbonate, NaHCO ₃	E	10 %, 60 °C	-	HUUE
Sodium chloride (as coolant), NaCl	D, E	30 %, < 5 °C, pH > 8	HUUE	-
Sodium hydroxide, NaOH	E	20 %, 50 °C	-	HUUE
Sodium nitrate, NaNO ₃	E	10 %, 60 °C	-	HUUE
Sodium phosphate, Na ₃ PO ₄	E, H	10 %, 60 °C	-	HUUE
Sodium sulphate, Na ₂ SO ₄	E, H	10 %, 60 °C	-	HUUE
Softened water	-	< 120 °C	-	HUUE
Soya oil	D, E, 3	100 %, 80 °C	HUUV	-
Unsalted swimming pool water	-	Approx. 2 ppm free chlorine (Cl ₂)	HUUE	-

List of notes

D	Often with additives.
E	Density and/or viscosity differ from that of water. Allow for this when calculating motor output and pump performance.
F	Pump selection depends on many factors. Contact Grundfos.
H	Risk of crystallisation/precipitation in shaft seal.
1	The pumped liquid is easily ignited.
2	The pumped liquid highly flammable.
3	Insoluble in water.
4	Low self-ignition point.

14. Accessories

Counter-flanges for MTR, MTRE, SPK

A counter-flange set consists of one counter-flange, one gasket, bolts and nuts. Counter-flange sets are available in cast iron (EN-GJL-200) and some are also available in stainless steel (EN/DIN 1.4301/AISI 304).

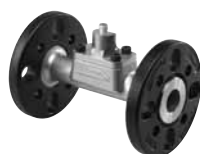
Counter-flange	Pump type	Description	Rated pressure	Pipe connection	Material	Product number
	SPK 1 SPK 2 SPK 4	Threaded	25 bar	Rp 3/4	Cast iron	395104
	MTR, MTRE 1s MTR, MTRE 1 MTR, MTRE 3 MTR, MTRE 5 MTR, MTRE 8	Threaded	16 bar	Rp 1 1/4 G 1 1/4 NPT 1 1/4	Cast iron	405178 98508757 -
	MTR, MTRE 10 MTR, MTRE 15 MTR, MTRE 20	Threaded	16 bar, EN 1092-2	Rp 2 G 2 NPT 2	Cast iron	98767494 98796348 98796349
		Threaded	16 bar, EN 1092-2	Rp 2 1/2	Cast iron Stainless steel	349902 349910
		Threaded	16 bar, special flange	Rp 3	Cast iron Stainless steel	349901 349911
	MTR, MTRE 32	For welding	16 bar, EN 1092-2	65 mm, nominal	Cast iron Stainless steel	349904 349906
		For welding	40 bar, DIN 2635	65 mm, nominal	Cast iron Stainless steel	349905 349908
		For welding	16 bar, special flange	80 mm, nominal	Cast iron Stainless steel	349903 349907
		For welding	25 bar, special flange	80 mm, nominal	Stainless steel	349909
		Threaded	16 bar	Rp 3	Cast iron Stainless steel	350540 350543
	MTR, MTRE 45 MTR, MTRE 64	For welding	16 bar	80 mm, nominal	Cast iron Stainless steel	350541 350544
		For welding	40 bar	80 mm, nominal	Cast iron Stainless steel	350542 350545

Pipe connection

Various sets of counter-flanges and couplings are available for pipe connection.

Sensors for MTR, MTRE and SPK

Accessory	Type	Flow range [m ³ /h]	Pipe connection	O-ring		Connection type		Product number
				EPDM	FKM	Cast-iron flange	Stainless-steel flange	
Grundfos Vortex Flow sensor, VFI ¹⁾ <ul style="list-style-type: none"> • Sensor tube with sensor, sensor tube of EN 1.4408 and sensor of EN 1.4404 • 4-20 mA output signal • 2 flanges • 5 m cable with M12 connection in one end • quick guide. 	VFI 1.3-25 DN32 020 E	1.3 - 25	DN 32	•		•		97686141
	VFI 1.3-25 DN32 020 F				•	•		97686142
	VFI 1.3-25 DN32 020 E				•		•	97688297
	VFI 1.3-25 DN32 020 F				•	•	•	97688298
	VFI 2-40 DN40 020 E	2-40	DN 40	•		•		97686143
	VFI 2-40 DN40 020 F				•	•		97686144
	VFI 2-40 DN40 020 E				•		•	97688299
	VFI 2-40 DN40 020 F				•	•	•	97688300
	VFI 3.2-64 DN50 020 E	2-64	DN 50	•		•		97686145
	VFI 3.2-64 DN50 020 F				•	•		97686146
	VFI 3.2-64 DN50 020 E				•		•	97688301
	VFI 3.2-64 DN50 020 F				•	•	•	97688302
	VFI 5.2-104 DN65 020 E	5.2 - 104	DN 65	•		•		97686147
	VFI 5.2-104 DN65 020 F				•	•		97686148
	VFI 5.2-104 DN65 020 E				•		•	97688303
	VFI 5.2-104 DN65 020 F				•	•	•	97688304
	VFI 8-160 DN80 020 E	8-160	DN 80	•		•		97686149
	VFI 8-160 DN80 020 F				•	•		97686150
	VFI 8-160 DN80 020 E				•		•	97688305
	VFI 8-160 DN80 020 F				•	•	•	97688306
VFI 12-240 DN100 020 E	12-240	DN 100	•		•		97686151	
VFI 12-240 DN100 020 F				•	•		97686152	
VFI 12-240 DN100 020 E				•		•	97688308	
VFI 12-240 DN100 020 F				•	•	•	97688309	



¹⁾ For more information about the VFI sensor, see the Grundfos Direct Sensors™ data booklet, publication number 97790189, in Grundfos Product Center (<http://product-selection.grundfos.com/>).

Accessory	Type	Supplier	Measuring range	Product number
Flowmeter	SITRANS F M MAGFLO MAG 5100 W	Siemens	1-5 m ³ (DN 25)	ID8285
	SITRANS F M MAGFLO MAG 5100 W		3-10 m ³ (DN 40)	ID8286
	SITRANS F M MAGFLO MAG 5100 W		6-30 m ³ (DN 65)	ID8287
	SITRANS F M MAGFLO MAG 5100 W		20-75 m ³ (DN 100)	ID8288
Temperature sensor	TTA (0) 25	Carlo Gavazzi	0-25 °C	96432591
	TTA (-25) 25		-25 - 25 °C	96430194
	TTA (50) 100		50-100 °C	96432592
	TTA (0) 150		0-150 °C	96430195
Accessory for temperature sensor. All with 1/2 RG connection	Protecting tube ∅9 x 50 mm	Carlo Gavazzi		96430201
	Protecting tube ∅9 x 100 mm			96430202
	Cutting ring bush			96430203
Temperature sensor, ambient temperature	WR 52	tmg (DK: Plesner)	-50 - 50 °C	ID8295
Differential-temperature sensor	ETSD	Honsberg	0-20 °C	96409362
			0-50 °C	96409363

Note: All sensors have 4-20 mA signal output.

Danfoss pressure sensor kits

Content	Liquid temperature	Pressure [bar]	Product number
<ul style="list-style-type: none"> Danfoss pressure sensor, type MBS 3000, with 2 m screened cable Connection: G 1/2 A (DIN 16288-B6kt) 5 cable clips (black) Instructions PT (400212) 	-40 - 85 °C	0-4	96428014
		0-6	96428015
		0-10	96428016
		0-16	96428017
		0-25	96428018

DPI differential-pressure sensor kit

Content	Pressure [bar]	Product number
<ul style="list-style-type: none"> 1 sensor incl. 0.9 m screened cable (7/16" connections) 1 original DPI bracket for wall mounting 1 Grundfos bracket for mounting on motor 2 M4 screws for mounting of sensor on bracket 1 M6 screw (self-cutting) for mounting on MGE 90/100 1 M8 screw (self-cutting) for mounting on MGE 112/132 3 capillary tubes (short/long) 2 fittings (1/4" - 7/16") 5 cable clips (black) Installation and operating instructions (00480675) Service kit instructions. 	0 - 0.6	96611522
	0 - 1.0	96611523
	0 - 1.6	96611524
	0 - 2.5	96611525
	0 - 4.0	96611526
	0 - 6.0	96611527
	0-10	96611550

EMC filter for MTRE

EMC filter required for installation of 7.5 - 22 kW MTRE pumps in residential areas.

Product	Product number
EMC filter (7.5 kW)	96041047
EMC filter (11 kW)	96478309
EMC filter (15 kW)	96478309
EMC filter (18.5 kW)	96478309
EMC filter (22 kW)	96478309

Grundfos GO

The Grundfos GO is used for wireless infrared or radio communication with the pumps.

Various Grundfos GO variants are available.

The variants are described in the following.

MI 204

The MI 204 are add-on modules with built-in infrared and radio communication.

The MI 204 can be used in conjunction with an Apple iPhone or iPod with Lightning connector, e.g. fifth generation iPhone or iPod touch.

(The MI 204 is also available together with an Apple iPod touch and a cover.)



MI 204

TM05 7704 1513

Fig. 67 MI 204

Supplied with the product:

- Grundfos 204
- sleeve
- quick guide
- charger cable.

MI 301

The MI 301 is a module with built-in infrared and radio communication. The MI 301 must be used in conjunction with an Android or iOS-based smart devices with a Bluetooth connection. The MI 301 has rechargeable Li-ion battery and must be charged separately.



TM05 3890 1712

Fig. 68 MI 301

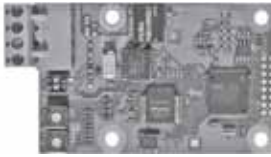
Supplied with the product:

- Grundfos MI 301
- battery charger
- quick guide.

Product numbers

Grundfos GO variant	Product number
Grundfos MI 204	98424092
Grundfos MI 204 including iPod touch	98612711
Grundfos MI 301	98046408

CIM communication interface modules



GrA 6121

Fig. 69 Grundfos CIM communication interface module

The CIM modules enable communication of operating data, such as measured values and setpoints, between MTRE pumps and a building management system.

The CIM modules are add-on communication modules which are fitted in the terminal box MTRE pumps.

Note: CIM modules must be fitted by authorised staff.

We offer the following CIM modules:

Description	Fieldbus protocol	Product number
CIM 050	GENI	96824631
CIM 100	LonWorks	96824797
CIM 150	PROFIBUS DP	96824793
CIM 200	Modbus RTU	96824796
CIM 250*	GSM/GPRS	96824795
CIM 271*	Grundfos Remote Management (GRM)	96898815
CIM 300	BACnet MS/TP	96893770
CIM 500	BACnet IP	
CIM 500	Modbus TCP	98301408
CIM 500	PROFINET	

* Antenna not included. See below.

Antenna for CIM 250 and 270

Description	Product number
Antenna for roof	97631956
Antenna for desk	97631957

For further information about data communication via CIM modules and fieldbus protocols, see the CIM documentation available in Grundfos Product Center. See page [167](#).

15. Variants

List of variants - on request

Below please find the range of options available for customizing the MTR, MTRE, SPK, MTH and MTA pumps to meet special requirements.

Contact Grundfos for further information or for requests other than the ones mentioned below.

Pumps

Variant	Applies to	Description
Immersion depth	MTR, MTRE	See page 164
	SPK	See page 165
Horizontally mounted pump	MTR, MTRE SPK	See page 166
120 °C solution	MTR, MTRE SPK	See page 166
Inlet pipe	MTR, MTRE SPK MTH	See page 166

Shaft seals

Variant	Applies to	Description
Shaft seal with FFKM, FXM or EDPM O-ring material	MTR, MTRE SPK MTH	We recommend shaft seals with FFKM, FXM or EPDM O-ring material for applications where the pumped liquid may damage the standard O-ring material.

Motors

Variant	Applies to	Description
ATEX motor	MTR	For operation in hazardous atmospheres, explosion-proof or dust-ignition-proof motors may be required.
Motor with anti-condensation heating unit	MTR SPK	For operation in humid environments motors with built-in anti-condensation heating unit may be required.
Motor with thermal protection	MTR SPK	Grundfos offers motors with built-in bimetallic thermal switches or temperature-controlled PTC sensors (thermistors) incorporated in the motor windings.
Oversize motor	MTR, MTRE SPK	Ambient temperatures above 40 °C or installation at altitudes of more than 1000 metres above sea level require the use of an oversize motor (i.e. derating).
Multiplug	MTR SPK MTH	Pumps with motors from 0.25 kW to 7.5 kW can be fitted with a 10-pin multiplug connection, type Han® 10 ES. The purpose of a multiplug connection is to make the electrical installation and the service of the pump easier. The multiplug functions as a plug-and-pump device.
4-pole motor	MTR	Grundfos offers 4-pole standard motors

Certificates

Certificate	Description
Certificate of compliance with the order	According to EN 10204, 2.1. Grundfos document certifying that the pump supplied is in compliance with the order specifications.
Test certificate. Non-specific inspection and testing	According to EN 10204, 2.2. Certificate with inspection and test results of a non-specific pump.
Inspection certificate 3.1	Grundfos document certifying that the pump supplied is in compliance with the order specifications. Inspection and test results are mentioned in the certificate.
	Grundfos document certifying that the pump supplied is in compliance with the order specifications. Inspection and test results are mentioned in the certificate. Certificate from the surveyor is included.
	Note: Contact Grundfos if you require a certificate.
Inspection certificate	We offer the following inspection certificates: <ul style="list-style-type: none"> • Lloyds Register of Shipping (LRS) • Det Norske Veritas (DNV) • Germanischer Lloyd (GL) • Bureau Veritas (BV) • American Bureau of Shipping (ABS) • Registro Italiano Navale Agenture (RINA) • China Classification Society (CCS) • Russian maritime register of Shipping (RS) • Biro Klassifikasio Indonesia (BKI) • United States Coast Guard (USCG) • Nippon Kaiji Koykai (NKK).
Standard test report	Certifies that the main components of the specific pump are manufactured by Grundfos, and that the pump has been QH-tested, inspected and conforms to the full requirements of the appropriate catalogues, drawings and specifications.
Material specification report	Certifies the material used for the main components of the specific pump.
Duty-point verification report	Certifies a test point specified by the customer. Issued according to ISO 9906 concerning "Duty point verification".
ATEX-approved pump (MTR)	Confirms that the specific pump is ATEX-approved according to the EU directive 94/9/EC, the "ATEX directive".

Note: Other certificates are available on request.

Immersion depths, MTR, MTRE

To meet specific depths of tanks and containers, the immersion depth of the pump can be varied using empty chambers.

For the MTR, MTRE range the following immersion depths are available.

The number of impellers depends on the requested head, and can be found on the technical data pages for each product type.

Number of chambers	Immersion depth [mm]										
	MTR1s	MTR1	MTR3	MTR5	MTR 8	MTR10	MTR15	MTR20	MTR32	MTR45	MTR64
1	-	-	-	-	196	-	-	-	-	-	-
2	160	160	160	169	223	148	178	178	223	244	249
3	178	178	178	196	250	178	223	223	293	324	332
4	196	196	196	223	277	208	268	268	363	404	414
5	214	214	214	250	304	238	313	313	433	484	497
6	232	232	232	277	331	268	358	358	503	564	579
7	250	250	250	304	358	298	403	403	573	644	662
8	268	268	268	331	385	328	448	448	643	724	744
9	286	286	286	358	412	358	493	493	713	804	827
10	304	304	304	385	439	388	538	538	783	884	909
11	322	322	322	412	466	-	583	583	853	964	992
12	340	340	340	439	493	448	628	628	923	1044	1074
13	358	358	358	466	520	-	673	673	993	1124	1157
14	376	376	376	493	547	508	718	718	1063	1204	1239
15	394	394	394	520	574	-	763	763	1133	1284	1322
16	412	412	412	547	601	568	808	808	1203	1364	1404
17	430	430	430	574	628	-	853	853	1273	1444	1487
18	448	448	448	601	655	628	898	898	1343	-	-
19	466	466	466	628	682	-	943	943	-	-	-
20	484	484	484	655	709	688	988	988	-	-	-
21	502	502	502	682	736	-	1033	1033	-	-	-
22	520	520	520	709	763	748	-	-	-	-	-
23	538	538	538	736	790	778	-	-	-	-	-
24	556	556	556	763	817	808	-	-	-	-	-
25	574	574	574	790	844	838	-	-	-	-	-
26	592	592	592	817	871	868	-	-	-	-	-
27	610	610	610	844	898	898	-	-	-	-	-
28	628	628	628	871	925	928	-	-	-	-	-
29	646	646	646	898	952	958	-	-	-	-	-
30	664	664	664	925	979	988	-	-	-	-	-
31	682	682	682	952	1006	1018	-	-	-	-	-
32	700	700	700	979	-	-	-	-	-	-	-
33	718	718	718	1006	-	-	-	-	-	-	-
34	736	736	736	-	-	-	-	-	-	-	-
35	754	754	754	-	-	-	-	-	-	-	-
36	772	772	772	-	-	-	-	-	-	-	-
37	790	790	790	-	-	-	-	-	-	-	-
38	808	808	808	-	-	-	-	-	-	-	-
39	826	826	826	-	-	-	-	-	-	-	-
40	844	844	844	-	-	-	-	-	-	-	-
41	862	862	862	-	-	-	-	-	-	-	-
42	880	880	880	-	-	-	-	-	-	-	-
43	898	898	898	-	-	-	-	-	-	-	-
44	916	916	916	-	-	-	-	-	-	-	-
45	934	934	934	-	-	-	-	-	-	-	-
46	952	952	952	-	-	-	-	-	-	-	-
47	970	970	970	-	-	-	-	-	-	-	-
48	988	988	988	-	-	-	-	-	-	-	-
49	1006	1006	1006	-	-	-	-	-	-	-	-

Immersion depths, SPK

To meet specific depths of tanks and containers, the immersion depth of the pump can be varied using empty chambers.

For the SPK range the following immersion depths are available.

The number of impellers depends on the requested head and can be found on the technical data pages for each product type.

Number of chambers	Immersion depth [mm]		
	SPK 1	SPK 2	SPK 4
1	140	140	140
2	-	-	-
3	182	182	182
4	-	-	-
5	224	224	224
6	-	-	-
7	266	266	266
8	287	287	287
9	-	-	-
10	-	-	-
11	350	350	350
12	-	-	-
13	392	392	392
14	-	-	-
15	434	434	434
16	455	455	455
17	476	476	476
18	-	-	-
19	518	518	518
20	-	-	-
21	560	560	560
22	-	-	-
23	602	602	602
24	-	-	-
25	644	644	644
26	-	-	-
27	-	-	-
28	-	-	-
29	-	-	-
30	-	-	-
31	770	770	770
32	-	-	-
33	-	-	-
34	-	-	-
35	-	-	-
36	-	-	-
37	896	896	896
15 + extension pipe	-	-	-
19 + extension pipe	-	-	1005
23 + extension pipe	1005	1005	-

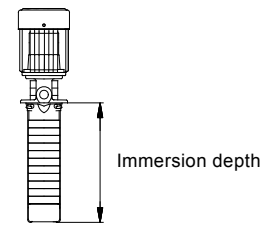


Fig. 70 Immersion depth

TM01 4460 1299

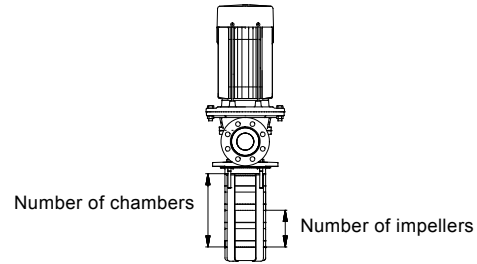


Fig. 71 Number of chambers/impellers

TM01 4991 1299

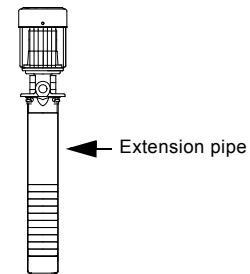


Fig. 72 Extension pipe

TM01 4214 1299

Horizontal mounting

For safety or height reasons, certain applications, for instance on ships, require the pump to be mounted in horizontal position.

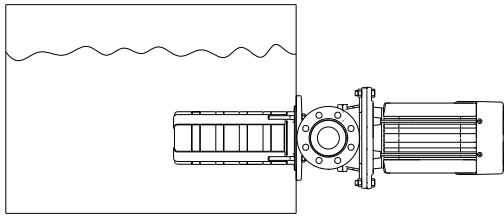


Fig. 73 Horizontal mounting of an MTR pump

TM04 6542 0610

Note: If the MTR, MTRE or SPK pump is to be installed horizontally, the drain hole in the pump head must be fitted with a plug, and four closed nuts with O-rings must be fitted to the straps.

For MTR, MTRE pumps horizontal mounting is only available with stainless steel pump heads.

For motors from 5.5 kW and up, motor support is required.

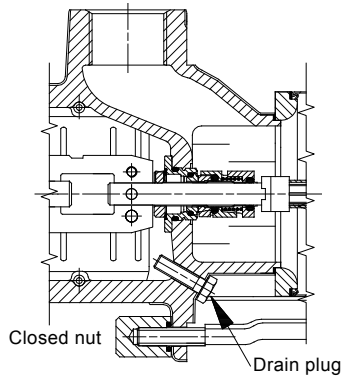


Fig. 74 Horizontal installation

TM02 8043 4503

120 °C solution

For applications with liquid temperature above 90 °C and up to 120 °C, Grundfos offers a solution for MTR, MTRE and SPK.

Inlet pipe

For compact coolant applications the filter is mounted inside the tank, and the pump sucks directly through this filter.

Pump	A [mm]	B [mm]	C [mm]	D [mm]
MTR, MTRE 1s, 1, 3, 5	48.5	15	∅64.8	∅60 x 3
MTR, MTRE 10, 15, 20	48	15	∅88.8	∅84 x 3
MTR, MTRE 32	48	15	∅104.8	∅100 x 3
MTR, MTRE 45	48	15	∅124.8	∅119.5 x 3
MTR, MTRE 64	48	15	∅133.7	∅128 x 3
SPK 1, 2, 4	48	15	∅56	∅51.2 x 3
SPK 8	48	15	∅56	∅51.2 x 3
MTH 2, 4	48	15	∅64.8	∅60 x 3

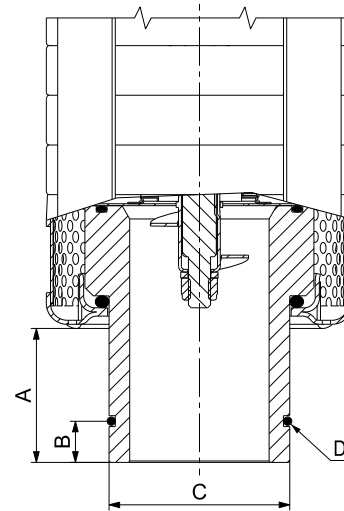


Fig. 75 Inlet pipe

TM04 6335 0210

16. Grundfos Product Center

Online search and sizing tool to help you make the right choice.

<http://product-selection.grundfos.com>



"SIZING" enables you to size a pump based on entered data and selection choices.

"REPLACEMENT" enables you to find a replacement product. Search results will include information on the following:

- the lowest purchase price
- the lowest energy consumption
- the lowest total life cycle cost.

The screenshot shows the Grundfos Product Center website. At the top, there is a navigation bar with the logo and 'PRODUCT CENTER'. Below it are tabs for HOME, FIND PRODUCT, COMPARE, YOUR PROJECTS, SAVED ITEMS, and HELP. A search bar is present with a 'SEARCH' button. Below the search bar are four main navigation buttons: SIZING (Enter pump sizing), CATALOGUE (Products and services), REPLACEMENT (Replace an old pump with a new), and LIQUIDS (Find pump by liquid). Below these is a 'QUICK SIZING' section with input fields for 'Flow (Q)*' (m³/h) and 'Head (H)*' (m), and radio buttons for 'Select what to size by': 'Size by application', 'Size by pump design', and 'Size by pump family'. A 'START SIZING' button is also visible.

"CATALOGUE" gives you access to the Grundfos product catalogue.

"LIQUIDS" enables you to find pumps designed for aggressive, flammable or other special liquids.

All the information you need in one place

Performance curves, technical specifications, pictures, dimensional drawings, motor curves, wiring diagrams, spare parts, service kits, 3D drawings, documents, system parts. The Product Center displays any recent and saved items - including complete projects - right on the main page.

Downloads

On the product pages, you can download installation and operating instructions, data booklets, service instructions, etc. in PDF format.

Subject to alterations.

be think innovate

96538374 1116

ECM: 1196907

GRUNDFOS A/S
DK-8850 Bjerringbro . Denmark
Telephone: +45 87 50 14 00
www.grundfos.com

GRUNDFOS 

The name Grundfos, the Grundfos logo, and be think innovate are registered trademarks owned by Grundfos Holding A/S or Grundfos A/S, Denmark. All rights reserved worldwide. © Copyright Grundfos Holding A/S