

3 Screw pumps type PWO



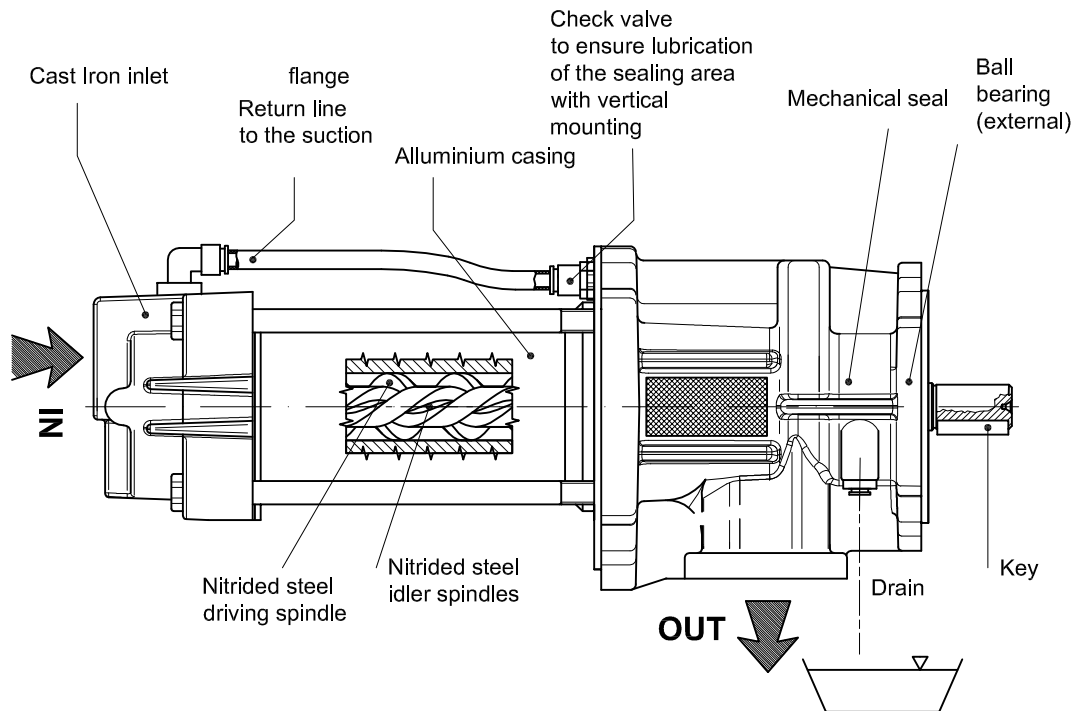
For hydraulic oils, lubricating oils.

Admissible delivery pressure (continuous) = See Table 2

Main field application:

Industrial general purpose high pressure

Section and components



Functional characteristics standard version

Delivery flow	from 20 to 600 l/min (from 3,7 to 159 USGPM)
Admissible delivery pressure *	up to 150 bar from 2900 to 3500 - see table 2
Admissible suction pressure	from -0,5 to 10 bar (from -7,3 to 145 psi) For different values contact SEIM
Kinematics viscosity	from 10 cSt to 400 cSt For different values contact SEIM
Admissible temperature	from 0 to 120 °C (32 a 212 °F) For different values contact SEIM
Driving speed	from 2900 to 3500 rpm (at 1450 rpm contact SEIM)
Average noise level	58 - 72 dB(A) to 2900 rpm according to pump dimension
Suction filter	See appendix - tab. 1
Recommended fluid cleanliness level in the system	See appendix - tab. 3
Direction of rotation	Clockwise, as seen from the driving spindle

* Reduced pressure limits apply due to fluid viscosity and driving speed.
 Consult the performance charts for the individual pump size.
 For different functional characteristics, please contact our sales department.

SEIM reserves the right to introduce dimensional changes or variation to the products of this technical data

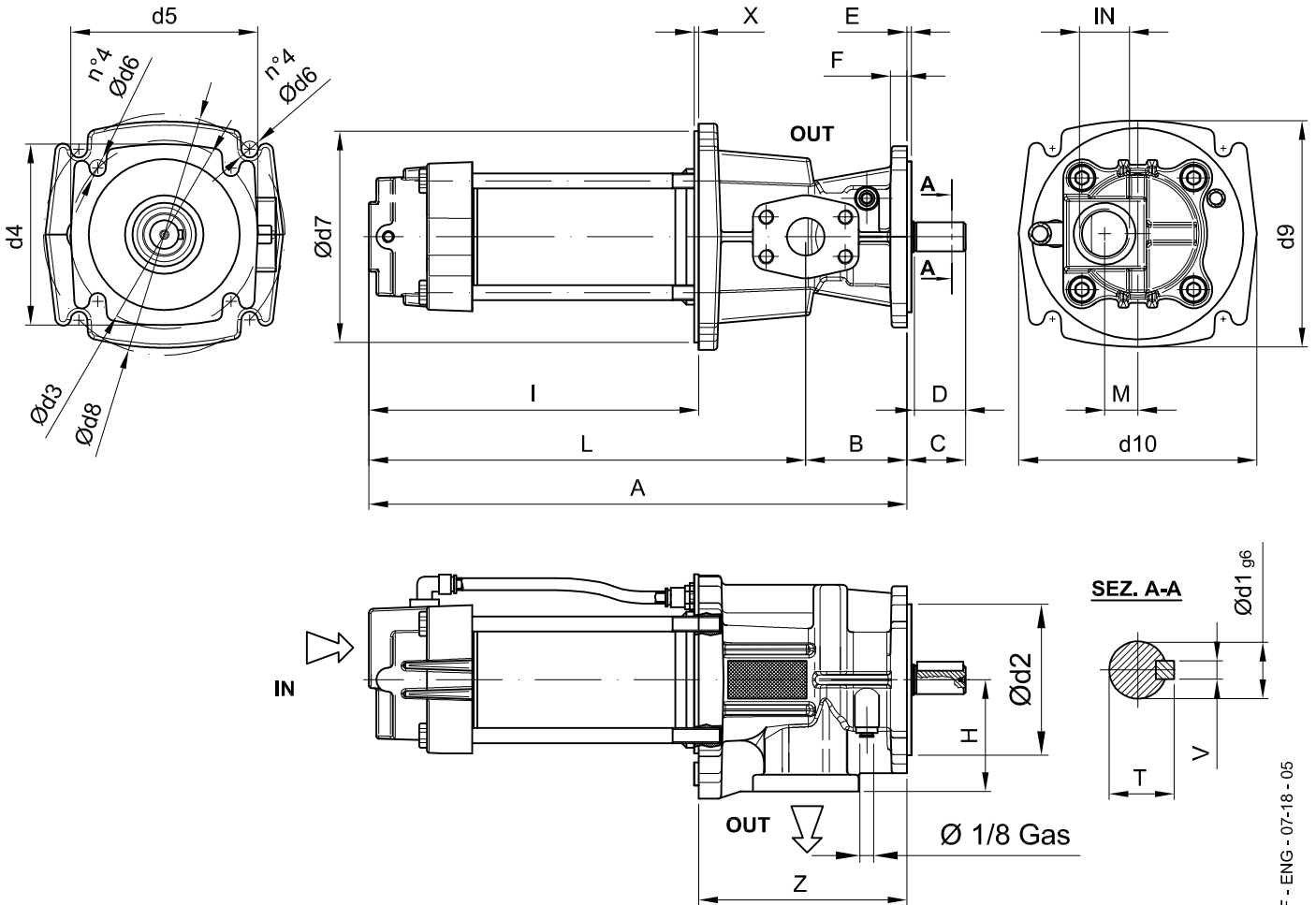
3 Screw pumps type PWO

For hydraulic oils, lubricating oils.

Admissible delivery pressure (continuous) = See Table 2

Main field application:

Industrial general purpose high pressure



Dimensional chart (mm)

MODELLO	Max bar	A	B	C	D	E	F	H	I	L	M	IN	OUT	T	V	d1	d2	d3	d4	d5	d6	d7	X	d8	d9	d10	Z
PWOF025	150	357	67	39	34	3	10	74	219	290	22	1" GAS	1" SAE 3/4 GAS	21,5	6	19	100	125	120	124	12	140	3	160	150	158	138
PWOF029	150	357	67	39	34	3	10	74	219	290	22	1" GAS	1" SAE 3/4 GAS	21,5	6	19	100	125	120	124	12	140	3	160	150	158	138
PWOF032	150	400	67	39	34	3	10	74	262	333	22	1" GAS	1" SAE 3/4 GAS	21,5	6	19	100	125	120	124	12	140	3	160	150	158	138
PWOF040	100	484	102	49	40	7	15	81	312	383	42	1 1/2" GAS	1 1/2" SAE	27	6	22	125	160	154	158	14	180	6	215	203	211	173
PWOF045	100	534	102	49	40	7	15	81	362	433	42	1 1/2" GAS	1 1/2" SAE	27	8	24	125	160	154	158	14	180	6	215	203	211	173
PWOF055	100	613	161.5	64	55	8	15	100	380	451	72	3" GAS	2" SAE	35	10	32	125	160	173	175	14	235	6	265	249	257	232.5
PWOF060	100	667	161.5	64	55	8	15	100	434	505	72	3" GAS	2" SAE	35	10	32	125	160	173	175	14	235	6	265	249	257	232.5

*Version without return line to suction

SEIM srl
Via A. Volta 17
20090 Cusago (MI) ITALY
Tel. (+39) 02.90.39.21.1
Fax. (+39) 02.90.39.21.41
e-mail: seim@seim.it

www.seim.it

SEIM reserves the right to introduce dimensional changes or variation to the products of this technical data

PWOF - ENG - 07-18 - 05

3 Screw pumps type PWO

For hydraulic oils, lubricating oils.

Admissible delivery pressure (continuous) = See Table 2

Main field application:

Industrial general purpose high pressure



Appendix

VISCOSITY	MESH STRAINER
< 5 cSt	60 mesh
< 10 cSt	40 mesh
< 20 cSt	20 mesh
< 200 cSt	Perforation 1/8"
< 500 cSt	Perforation 3/16"
> 500 cSt	Perforation 1/4"

Tab. 1

	2900-3500 rpm
PWOF025	up to 150 bar
PWOF029	up to 150 bar
PWOF032	up to 150 bar
PWOF040	up to 100 bar
PWOF045	up to 100 bar
PWOF055	up to 100 bar
PWOF060	up to 100 bar

Tab. 2 **

** Reduced pressure limits apply due to fluid viscosity and driving speed.

PWOF - ENG - 07-18 - 05

		2900 - 3500 rpm									
bar		10	16	25	40	63	80	100	120	150	
PWOF025	Bx>1000	15 um			10 um						
PWOF029	Bx>1000	15 um			10 um						
PWOF032	Bx>1000	15 um			10 um						
PWOF040	Bx>1000	25 um			20 um			x	x		
PWOF045	Bx>1000	25 um					20 um		x	x	
PWOF055	Bx>1000	25 um						x	x		
PWOF060	Bx>1000	25 um						x	x		

Table 3

SEIM srl
 Via A. Volta 17
 20090 Cusago (MI) ITALY
 Tel. (+39) 02.90.39.21.1
 Fax. (+39) 02.90.39.21.41
 e-mail: seim@seim.it

www.seim.it

SEIM reserves the right to introduce dimensional changes or variation to the products of this technical data